

# Single DishDrawer™ Dishwasher, Tall, Sanitize

Series 7 | Contemporary

Stainless Steel

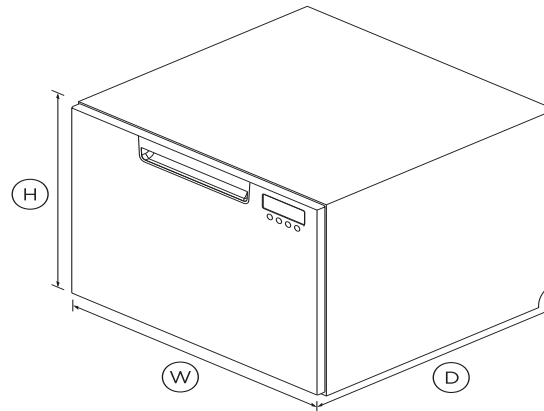


Designed to fit your full-sized dinner plates, this DishDrawer™ can be placed anywhere in your kitchen, for loading dishes with less bending.

- Six wash programs, as well as additional Quick wash, Sanitize and Extra Dry options
- American Disabilities Act (ADA) compliant, this can be installed at an accessible height for loading and unloading.
- Flexible racking can be folded down to fit bigger dishes

## DIMENSIONS

Height	17 7/8"
Width	23 9/16"
Depth	22 9/16"



## FEATURES & BENEFITS

### Ease of use

DishDrawer™ Dishwashers are as easy to open and close as kitchen drawers and can be conveniently positioned at bench height for ease of loading and minimal bending. Flexible racking allows you to make adjustments to fit in a variety of dishes.

### Quick, Sanitize and Extra Dry

The Quick wash modifier delivers a faster wash while maintaining performance. The Sanitize option provides extra protection killing 99.9% of bacteria in the final rinse. The Extra Dry setting is

perfect for plastic dishes.

### Quiet performer

Running at a very low decibel rate, these DishDrawer™ Dishwashers do their job without making a fuss. The combination of intelligent technology and simple mechanics means greater reliability and excellent wash performance.

### Complementary design

DishDrawer™ Dishwashers can be installed in any kitchen space and are designed to match the Fisher & Paykel family of kitchen appliances, with matching handles, premium styling and quality materials.

## SPECIFICATIONS

### Accessories

- Cutlery basket
- Knife clip and multipurpose

### Capacity and loading

Accommodates round plates	12.25"
Adjustable height, foldable	•
Fold down tines	•
Pitch adjustable tines	•
Place settings	7

### Consumption

Energy rating	Energy star
Energy usage	151kWh/year
In-use energy carbon	55.3kgCO2e/year
Water usage (per wash cycle)	1.8 gal

### Controls

- Electronic fault/Diagnostic
- End of cycle beeps
- Energy saving delay start
- Keylock
- Rinse aid indicator light
- Wi-Fi connectivity

**Features**

- Fan assisted drying
- Flood protection
- Flow through detergent
- Motor type **BLDC**
- Quiet operation
- SmartDrive™ technology

**Performance**

Noise emissions **42dBA**

**Power requirements**

Amperage **5A**  
 Electric circuit **3 wire**  
 Rated current **15A**  
 Supply frequency **60Hz**  
 Supply voltage **100 - 120V**

**Product dimensions**

Depth **22 9/16"**  
 Height **17 7/8"**  
 Width **23 9/16"**

**Safety and compliance**

- ADA compliant

**Warranty**

Parts and labor **Limited 2 years**

**Wash Program Modifiers**

- Extra Dry
- Quick
- Sanitize
- Wash modifiers **3**

**Wash Programs**

- Delicate
- Eco
- Fast
- Heavy
- Medium
- Rinse
- Wash programs **6**

**Water connection**

- Supplied hose to suit 3/8"
- Water pressure **30kPa - 1000 kPa**
- Water supply **3/8" to suit Male Compression**

SKU **82336**

The product dimensions and specifications in this page apply to the specific product and model. Under our policy of continuous improvement, these dimensions and specifications may change at any time. You should therefore check with Fisher & Paykel's Customer Care Centre to ensure this page correctly describes the model currently available. Fisher & Paykel Appliances Ltd 2020

**Where applicable:**

All appliances use energy, and energy usage typically generates carbon emissions. **Fisher & Paykel Appliances' In-use Energy Carbon Emissions Estimate** indicates carbon emissions from a product's in-use energy. This is calculated either annually or per cycle, using the product's market-specific energy label energy consumption data multiplied by the carbon emissions factor for energy in your country or region.

Our In-use Energy Carbon Emissions Estimate is designed to assist customers in making informed purchasing decisions when comparing different Fisher & Paykel products. For example, a heat pump dryer typically has a lower In-use Energy Carbon Emissions Estimate than a vented dryer.

---

Other product downloads available at [fisherpaykel.com](https://fisherpaykel.com)

- [↓](#) Service & Warranty
- [↓](#) Energy Label Single DishDrawer
- [↓](#) User Guide DishDrawer™ Dishwasher EN
- [↓](#) Installation Guide Single DishDrawer™ Dishwasher EN
- [↓](#) Data Sheet Single DishDrawer™ Dishwasher



**A PEACE OF MIND SALE**

24 Hours 7 Days a Week Customer Support

T 1.888.936.7872 W [www.fisherpaykel.com](https://www.fisherpaykel.com)