

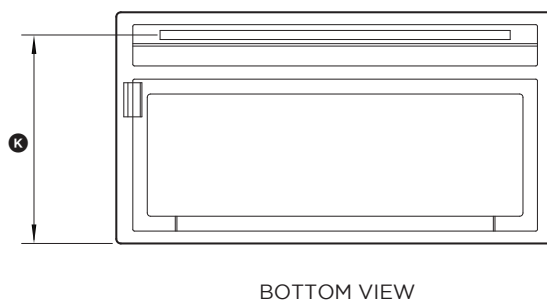
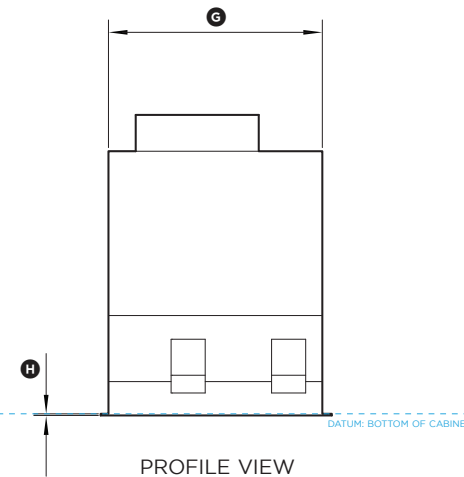
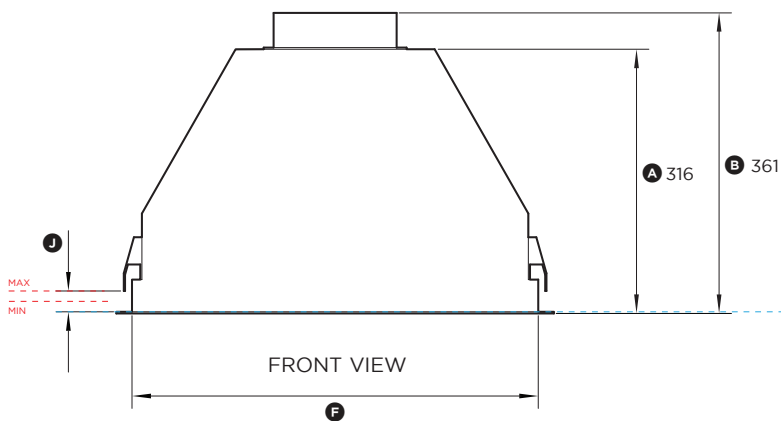
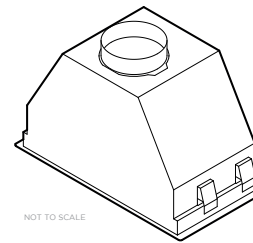
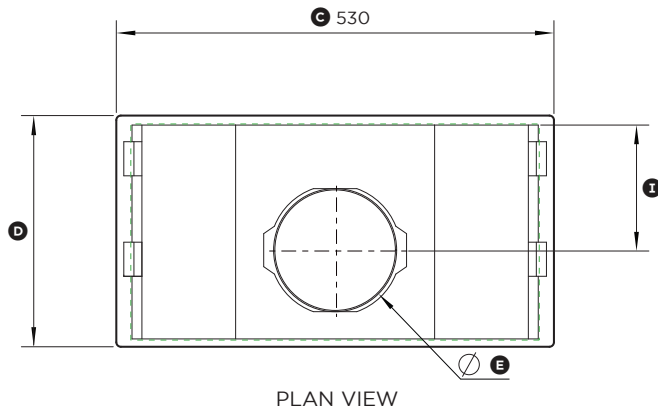
# FISHER & PAYKEL

## DATA SHEET

Integrated Insert Cooker Hood, 60cm

### Model nos:

HP60IHCB4



Product Dimensions	mm
Ⓐ Overall height of cooker hood without ducting adaptor	316
Ⓑ Overall height of cooker hood with ducting adaptor	361
Ⓒ Overall width of cooker hood	530
Ⓓ Overall depth of cooker hood (excl. cabinetry front panel)	280
Ⓔ Diameter of ducting adaptor	150
Ⓕ Width of cooker hood chassis	492
Ⓖ Depth of cooker hood chassis	258
Ⓗ Thickness of flange	2
Ⓙ Distance from ducting outlet centre to rear of chassis	152
Ⓚ Height adjustability of clip that secures cooker hood (cabinet base panel thickness)	min 15 max 40
Ⓛ Distance from rear to centre of light	253

Cavity Dimensions Standard Installation	mm
Width of cutout	500
Depth of cutout	260

Minimum distance above cooktops	mm
Minimum height from top of electric cooktop to base of product	600
Minimum height from top of gas cooktop to base of product	650

Minimum height may be greater if required by your cooktop. Refer to cooktop installation guide for details.

Note: We recommend the cabinet has a door or service panel that can be easily opened to access the power connection.

INDICATES CUTOUT -----  
 INDICATES PRODUCT DATUM -----  
 INDICATES CABINETS CLEARANCES -----

DATE: 22.08.2023

90003270A

IMPORTANT NOTE: Throughout this guide, dimensions may vary by  $\pm 2$ mm (1/16"). Please read the installation guide for detailed information on installing the product. For full installation instructions & specifications visit [fisherpaykel.com](http://fisherpaykel.com)

