

INSTALLATION INSTRUCTIONS

DishDrawer™ dishwasher

DD36SDFTX2 (Designer) & DD36STI2 (Integrated) models



US CA

Fisher & Paykel

1a SAFETY AND WARNINGS

⚠ WARNING!

Electrical hazard

Before installing the dishwasher, remove the house fuse or open the circuit breaker. If permanently connecting the dishwasher, be sure the power is isolated and the dishwasher unplugged.

GROUNDING INSTRUCTIONS

This appliance must be grounded. In the event of a malfunction or breakdown, grounding will reduce the risk of electric shock by providing a path of least resistance for electric current. This appliance is equipped with a cord having an equipment-grounding conductor and a grounding plug. The plug must be plugged into an appropriate outlet that is installed and grounded in accordance with all local codes and ordinances. **WARNING** - Improper connection of the equipment-grounding conductor can result in a risk of electric shock. Check with a qualified electrician or service representative if you are in doubt as to whether the appliance is properly grounded.

If the dishwasher is installed as a permanently connected appliance: **GROUNDING INSTRUCTIONS** - This appliance must be connected to a grounded metal, permanent wiring system, or an equipment-grounding conductor must be run with the circuit conductors and connected to the equipment-grounding terminal or lead on the appliance.

Do not modify the power supply plug provided with the appliance - if it will not fit the outlet, have a proper outlet installed by a qualified electrician. Do not use an extension cord, adapter plug or multiple outlet box.

Failure to follow this advice may result in electrical shock or death.



⚠ WARNING!

Cut hazard

Take care - panel edges are sharp.

Failure to use caution could result in injury or cuts.



⚠ WARNING!

Very Heavy

Do not attempt to lift this product unassisted.

Lifting unassisted may cause serious injury.



95 lb
43 kg

IMPORTANT SAFETY INSTRUCTIONS!

- Installation of this dishwasher requires basic mechanical and electrical skills.
- Be sure to leave these Instructions with the Customer.
- Installation must comply with your local building, electricity, and plumbing regulations.
- At the completion of the dishwasher installation, the Installer must perform the Final Checklist.
- Remove all packaging materials supplied with the dishwasher.
- This dishwasher is manufactured for indoor use only.
- Ensure all water connections are turned OFF. It is the responsibility of the plumber and electrician to ensure that each installation complies with all Codes and Regulations.
- The dishwasher **MUST** be installed to allow for future removal from the enclosure if service is required.
- The switched power outlet must be outside the dishwasher cavity, so that it is accessible after installation.
- Care should be taken when the appliance is installed or removed to reduce the likelihood of damage to the power supply cord and hoses.
- If the dishwasher is to be relocated from one installation to another it must be kept upright to avoid damage from water spillage.
- Make sure only new hoses are used for connection (supplied with the dishwasher). Old hoses should not be reused.
- Failure to install the dishwasher correctly could invalidate any warranty or liability claims.
- If the product is installed in a motor vehicle, boat or similar mobile facility, you must bring the vehicle, boat or mobile facility containing the product to the service shop at your expense or pay the service technician's travel to the location of the product.

SAVE THESE INSTRUCTIONS

1b ADDITIONAL SAFETY AND WARNINGS - INTEGRATED MODELS ONLY

⚠ WARNING!

Electrical Shock Hazard

WARNING: To reduce the risk of electrical shock, fire, or injury to persons, the installer must ensure that the dishwasher is completely enclosed at the time of installation.

Before fitting the front panel, make sure that the dishwasher is disconnected from the power supply. After installing the front panel, the installer must ensure that the following components are electrically grounded: the panel bracket and any custom metal component (e.g. handle) that extends past the rubber door seal.

Failure to follow these warnings may result in electrical shock, injury or fire.



IMPORTANT SAFETY INSTRUCTIONS!

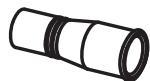
- Read these instructions completely and carefully.
- Ensure the product is not plugged in.
- Installation of custom panels requires basic mechanical and electrical skills.
- Installation must comply with your local building and electricity regulations.
- Failure to install the custom panels correctly could invalidate any warranty or liability claims.

SAVE THESE INSTRUCTIONS

2a) PARTS SUPPLIED - ALL MODELS



Drain hose support (1)



Drain hose joiner (1)



Wire clip (1)
(for securing
Drain hose joiner)



Side mounting
bracket kit
(A and B) (2)
OPTIONAL



Clamp (1)
(for securing
Drain hose joiner)



Phillips
 $\frac{5}{8}$ " (16 mm)
screws (7)



1 1/2" (38 mm)
bottom fixing
screws & metal
washers (2)



Rubber
washer for
inlet hose (1)
(comes already
fitted)



Moisture protection
tape (1)
(to prevent moisture
damage)



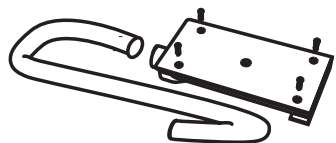
Edge Protector (1)

(If the services hole is through a metal partition the hole must be protected with the Edge protector supplied to prevent damage to the power cord or hoses.)

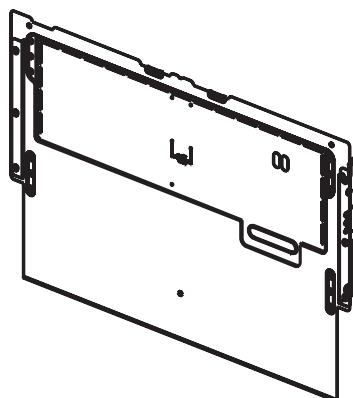
If the Drain hose supplied is not long enough to reach your services, you must use a Drain Hose Extension Kit P/N 525798 which will extend the drain hoses by 11' 10" (3.6m).

The kit is available from the nearest Fisher & Paykel Authorized Service Center, or Toll free 1.888.936.7872 or www.fisherpaykel.com

2b) ADDITIONAL PARTS SUPPLIED WITH INTEGRATED MODELS



External Venting kit (1)

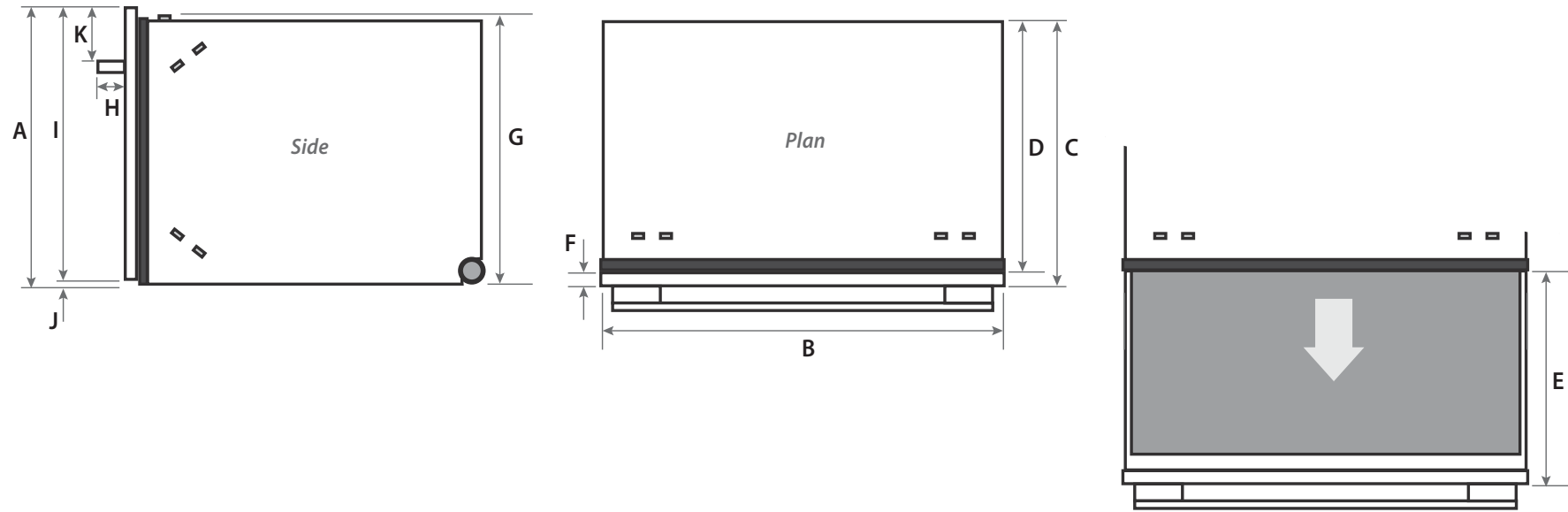


Panel bracket (1)
(attached to product)



Panel mounting
screws (14)

③ PRODUCT DIMENSIONS

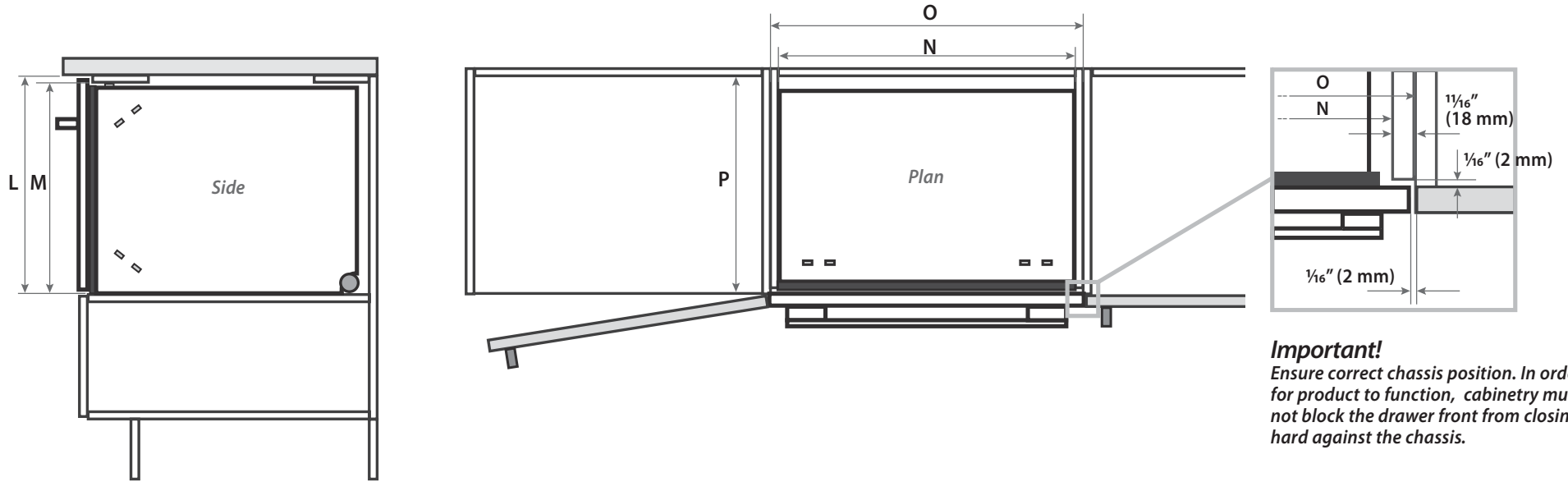


Product dimensions inches (mm)

	Designer DD365DFTX2	Integrated DD365TI2
A overall height ¹ of product (incl. front panel height)	18 13/16"(478)	18 13/16"(478) ³
B overall width of product	35 1/4"(895)	min. 33 11/16"(855)
C overall depth of product (excl. handle)	22 1/2"(571)	22 1/2"(571) ²
D depth of chassis (to back of front panel)	21 3/4"(553)	21 3/4"(553)
E maximum extension of drawer (excl. handle)	21 7/16"(545)	21 7/16"(545) ²
F depth of front panel (excl. handle)	1 1/16"(18)	5/8 - 13/16"(16-20)
G height ¹ of chassis	18 1/16"(458)	18 1/16"(458)
H depth of handle	1 5/8"(41)	n/a
I height of front panel	18 1/2"(470)	18 3/4"(476) ³
J height of ventilation gap below front panel	5/16"(8)	min. 1/16"(2)
K height from top of handle to top of front panel	2 1/2"(64)	n/a

¹includes 1/16"(2 mm) high bracket slots ²Assuming panel thickness of 1/16"(18 mm)

³Recommended for a 1/16"(2 mm) ventilation gap below front panel, if cavity height is 18 7/8"(480 mm)



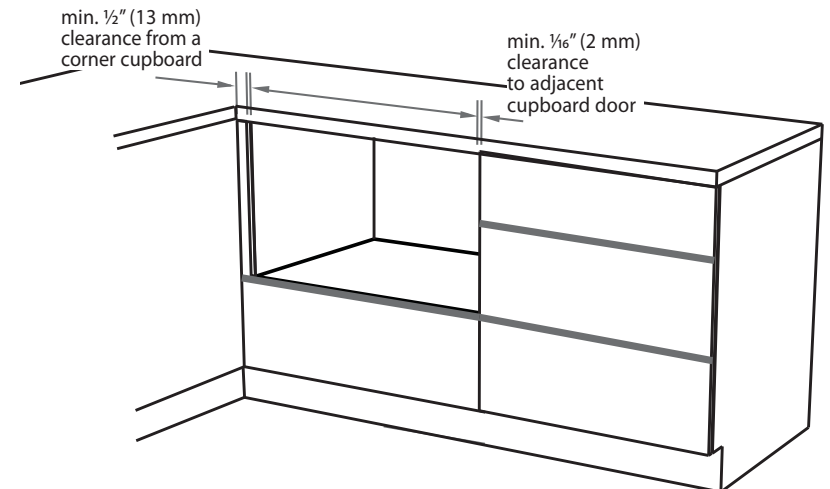
Important!
 Ensure correct chassis position. In order for product to function, cabinetry must not block the drawer front from closing hard against the chassis.

Cabinetry dimensions inches (mm)

	Designer DD36SDFTX2	Integrated DD36STI2
L height of cavity (from support surface to underside of countertop)	18 7/8" (480)	18 7/8" (480)*
M inside height of cavity	18 1/8" (460)	min. 18 1/8" (460)
N inside width of cavity	34" (864)	34" (864)
O overall width of cabinetry	35 7/16" (900)	35 7/16" (900)
P inside depth of cavity	min. 22 1/16" (560)	min. 22 1/16" (560)

* Recommended

Minimum clearances from adjacent cabinetry



5 INTEGRATED MODELS ONLY - CUSTOM FRONT PANEL CALCULATIONS

FRONT PANEL SPECIFICATIONS

- 5/8 - 1 3/16" (16-20 mm) panel thickness
- Maximum weight of panel: 20 lb (9 kg)
- Adequately sealed to withstand moisture (122°F/50°C @ 80% RH).
Because of it being a hot and wet environment generally, the back and sides of the panel should be completely sealed with a waterproof vapor barrier (ie polyurethane) to prevent damage to the panel.
- The back of the panel (including any integrated handle) should be completely flush so that the seal between the panel and the rubber trim is maintained.

The following calculations assume the top of the panel is aligned with the top of the adjacent cabinetry:

WIDTH OF THE PANEL

Measure **A** (the width between adjacent door/drawer fronts) and write it in the first box below, then complete the equation.

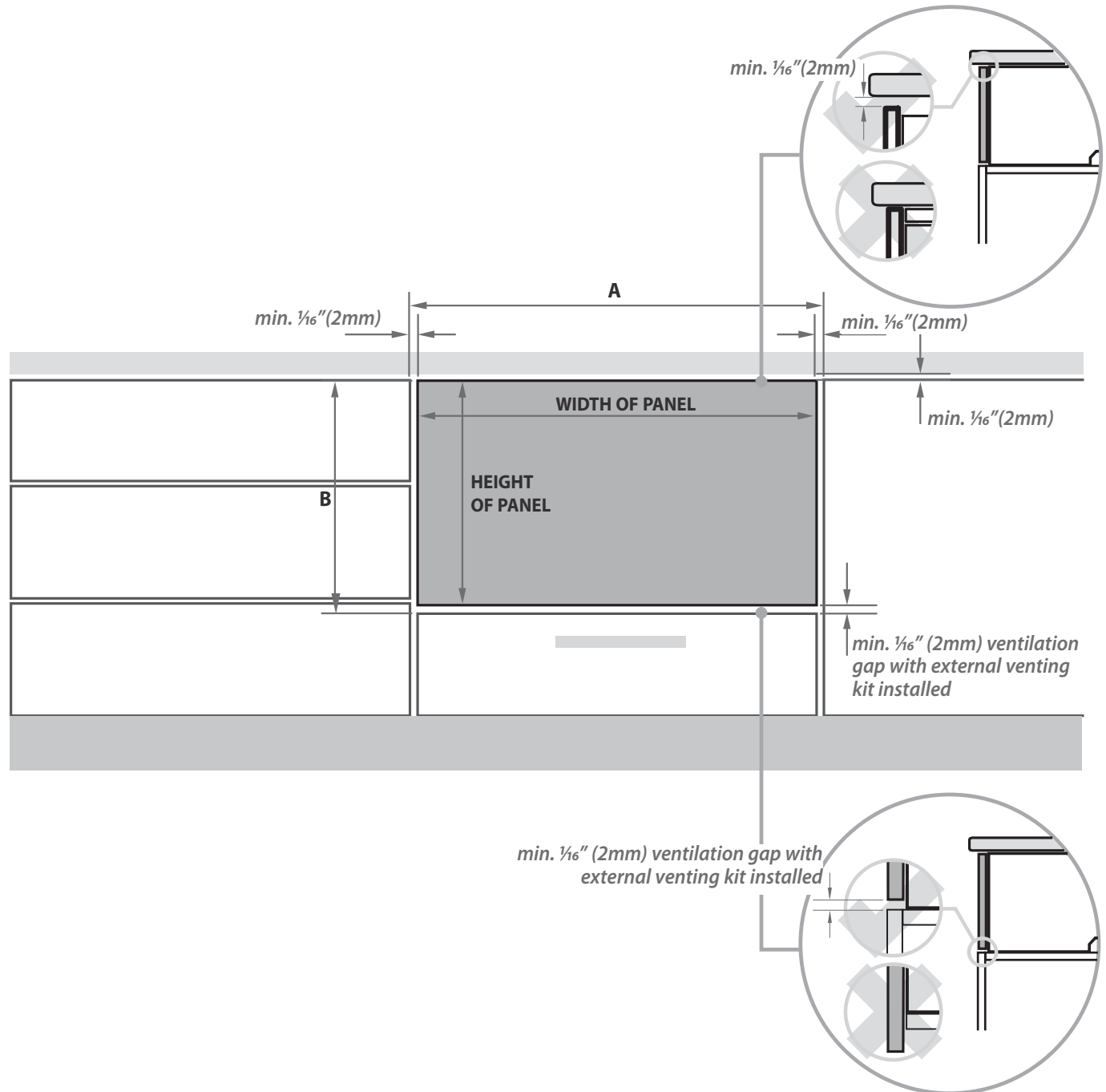
A	-	2x	clearance to adjacent cabinet front (min. 1/16" (2 mm))	=	WIDTH OF PANEL (min. 33 1/16" (855 mm))
<input type="text"/>			<input type="text"/>		<input type="text"/>

HEIGHT OF THE PANEL

Measure **B** and write it in the first box below, then complete the equation.

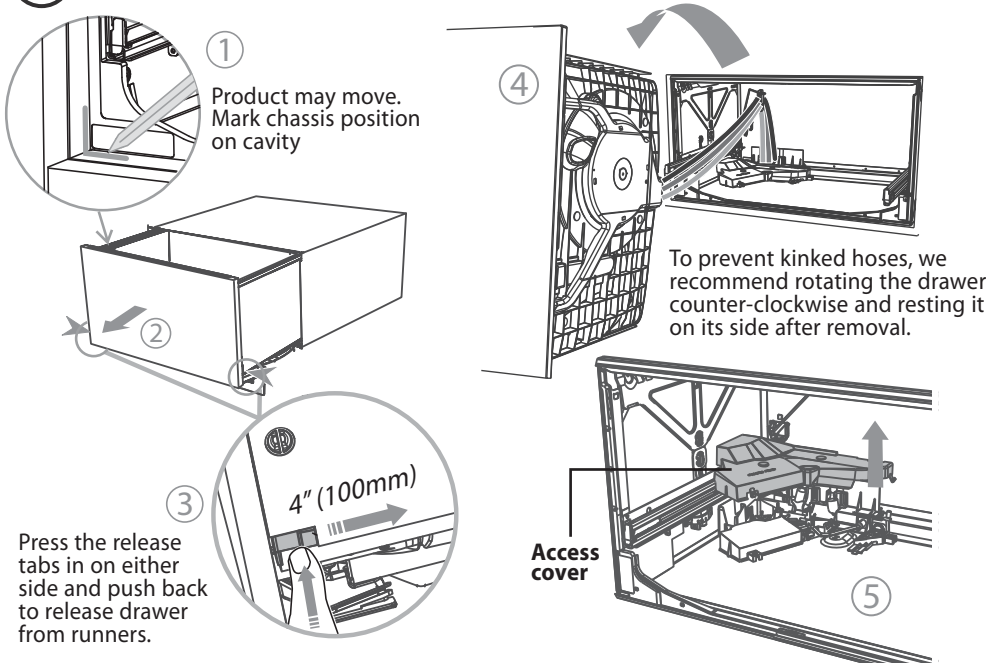
B	-	ventilation gap (min. 1/16" (2 mm))	=	HEIGHT OF PANEL
<input type="text"/>		<input type="text"/>		<input type="text"/>

Note: when the top of the dishwasher has to be lower than the adjacent cabinetry, the panel can be increased in height.

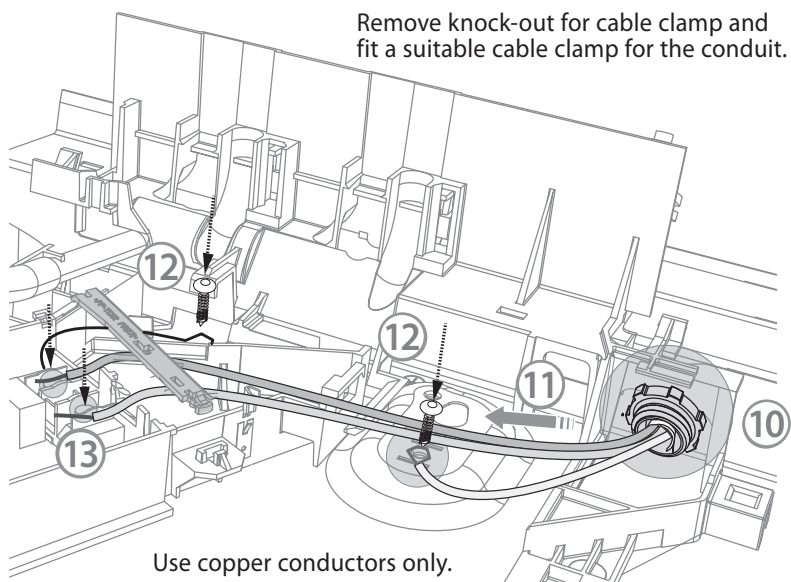


6 OPTIONALLY HARD WIRING PRIOR TO INSTALLATION

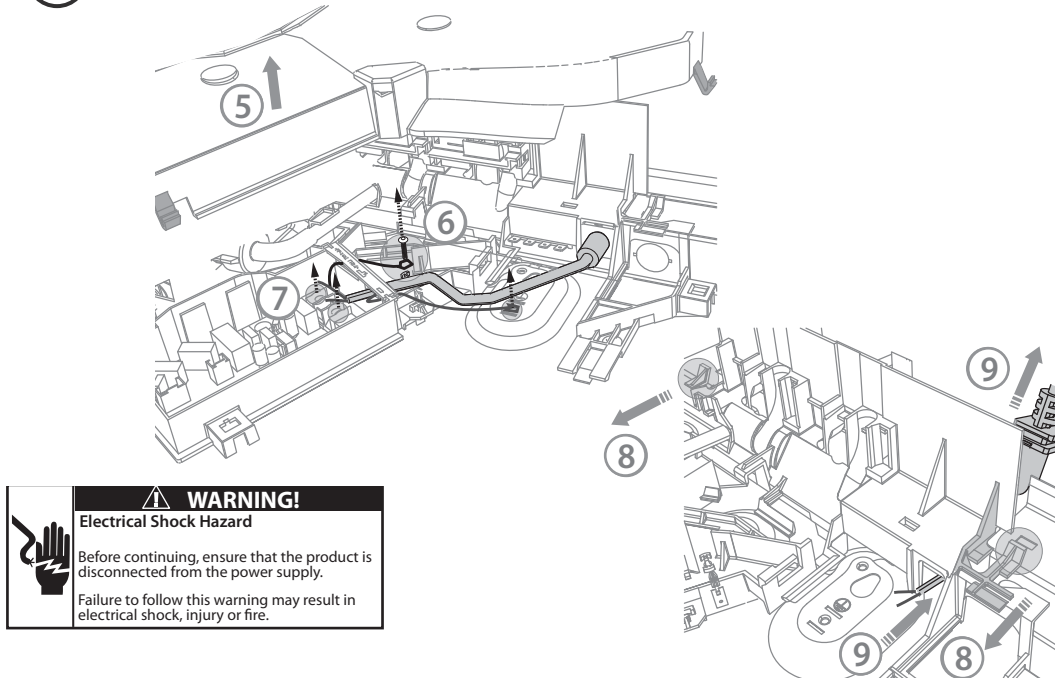
6a REMOVE THE DRAWER



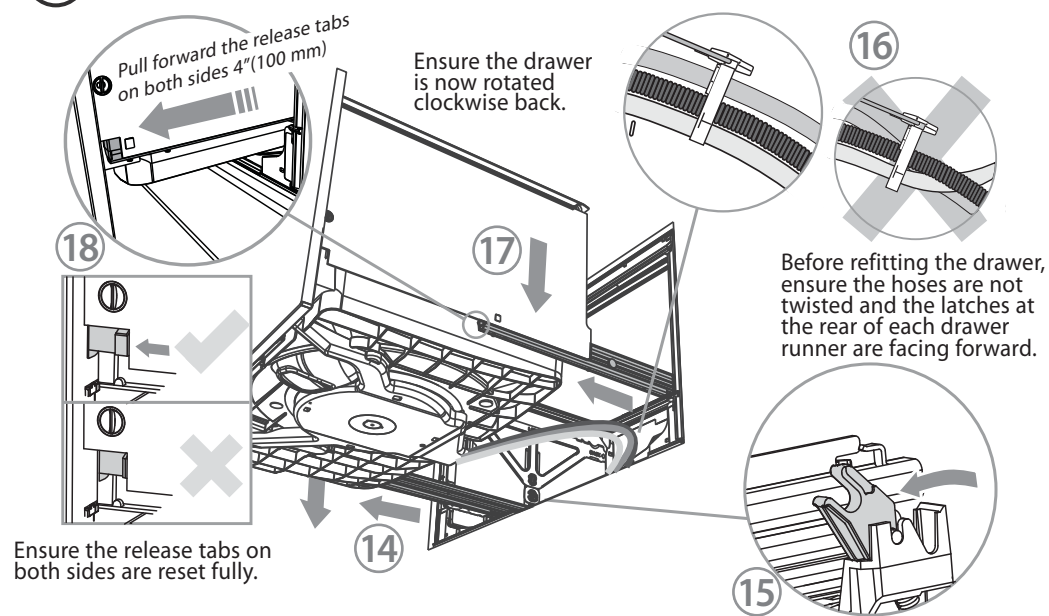
6c TERMINATE THE WIRING AS SHOWN



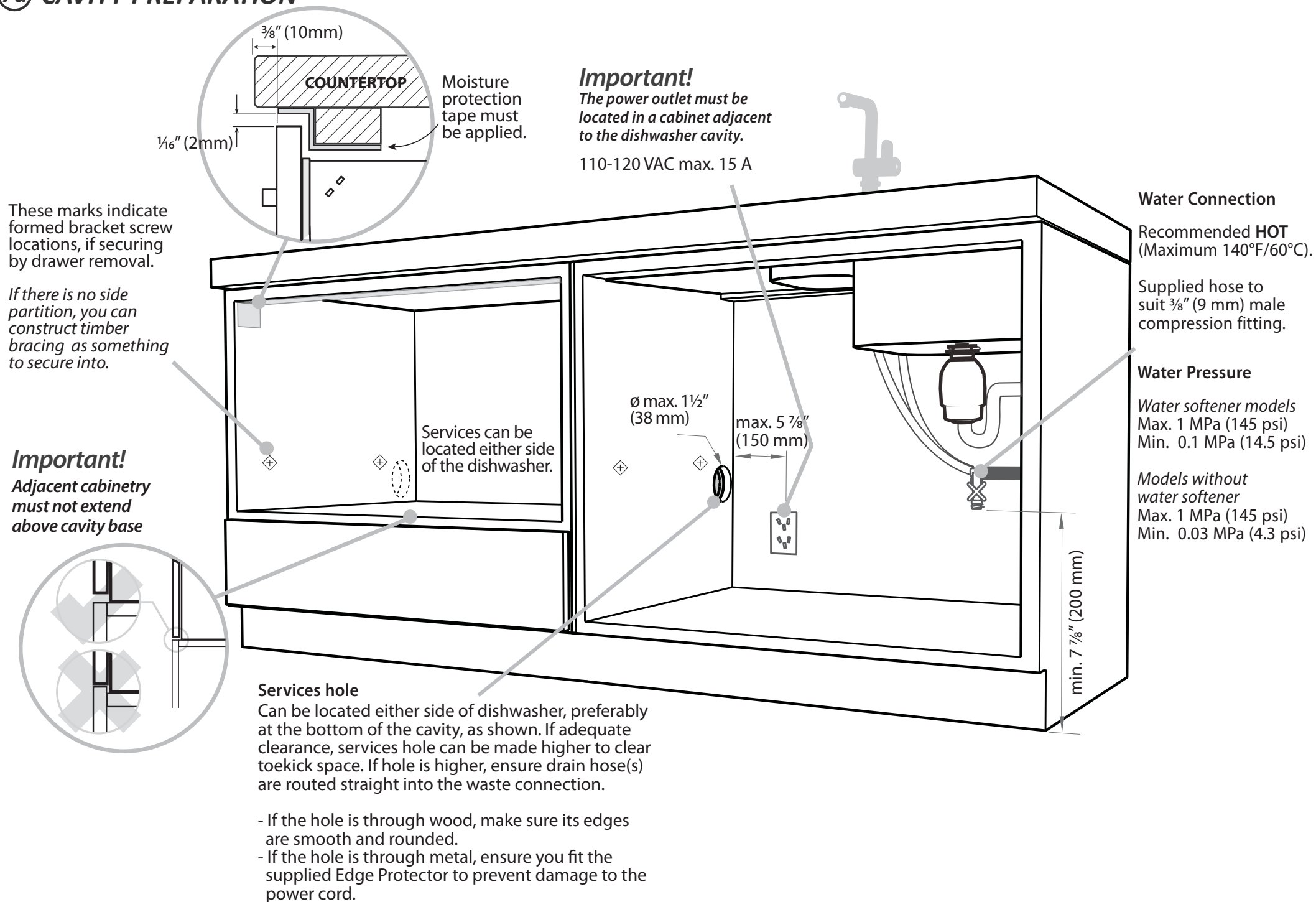
6b REMOVE THE ACCESS COVER & POWER CORD



6d REFIT THE DRAWER ONTO THE RUNNERS & CLOSE

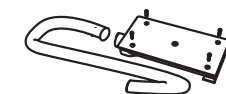
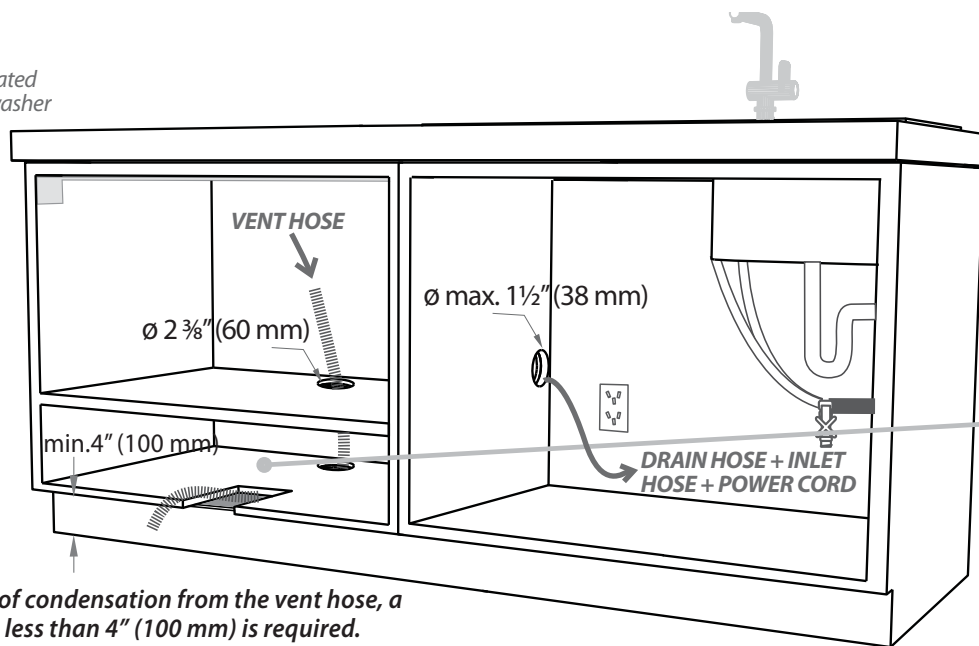


7a) CAVITY PREPARATION



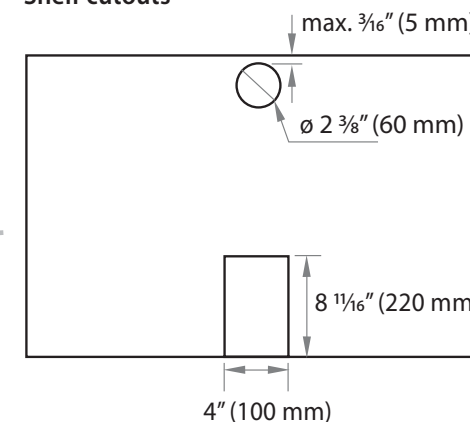
7b) INTEGRATED MODELS ONLY - PREPARATION FOR EXTERNAL VENTING THROUGH SAME CABINET

Services can be located either side of dishwasher



External Venting kit (1)

Shelf cutouts

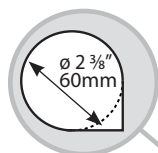


Important!

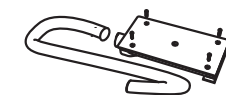
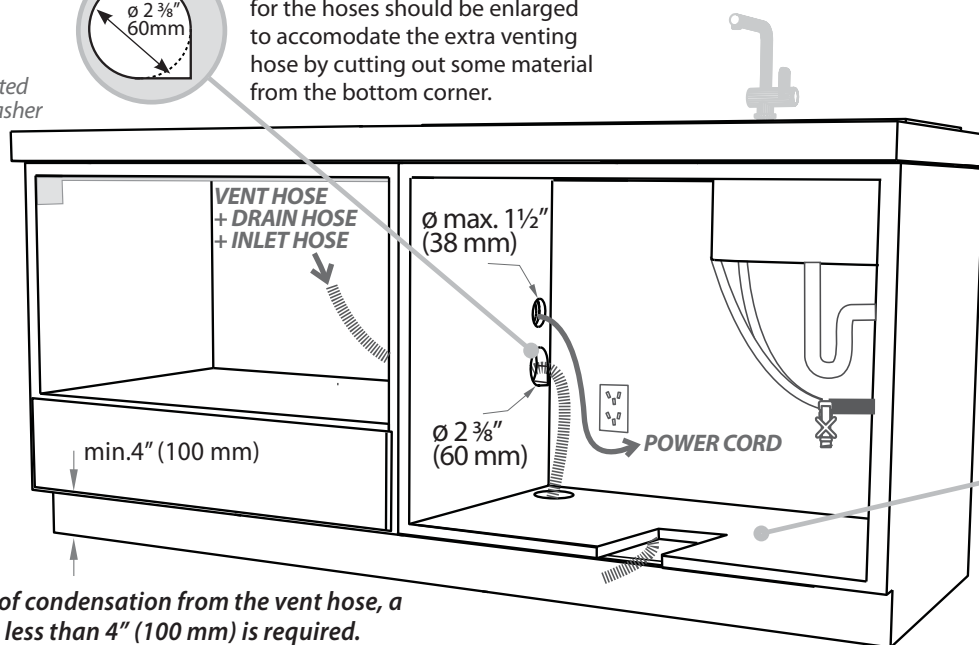
To prevent pooling of condensation from the vent hose, a toekick height of no less than 4" (100 mm) is required.

7c) INTEGRATED MODELS ONLY - PREPARATION FOR EXTERNAL VENTING THROUGH ADJACENT CABINET

Services can be located either side of dishwasher

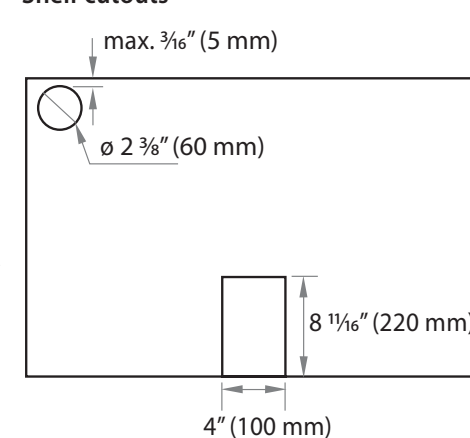


The ø 2 3/8" (60 mm) services hole for the hoses should be enlarged to accommodate the extra venting hose by cutting out some material from the bottom corner.



External Venting kit (1)

Shelf cutouts

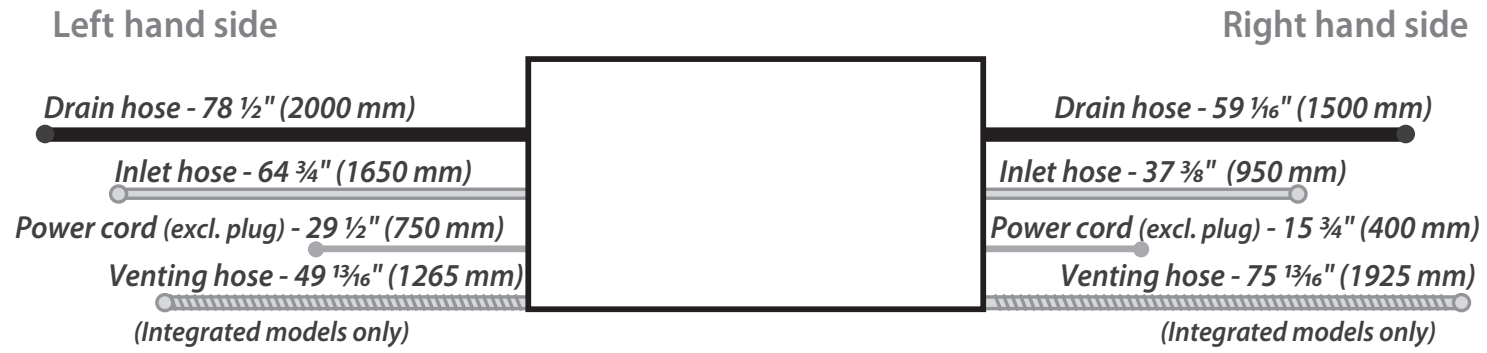


If the services holes are through metal, ensure you fit the supplied Edge Protector around the hole for the power cord.

Important!

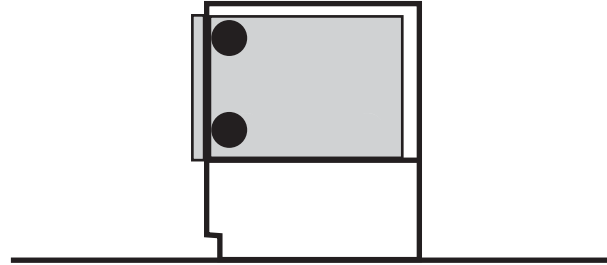
To prevent pooling of condensation from the vent hose, a toekick height of no less than 4" (100 mm) is required.

⑧ **MAXIMUM DISTANCE OF HOSES & CORD FROM CHASSIS EDGE**

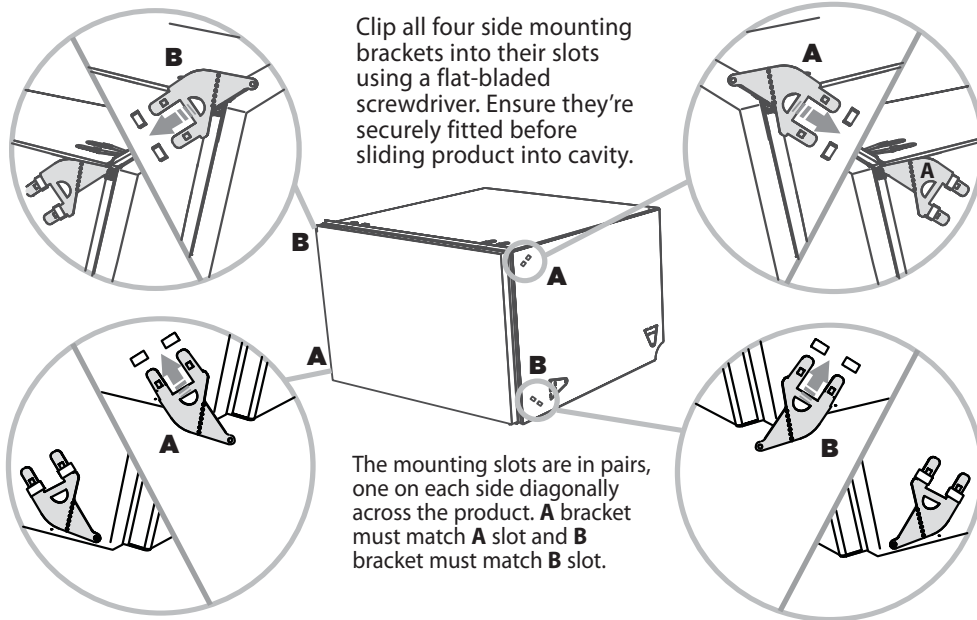


NOW CHOOSE WHICH INSTALLATION METHOD (a) or (b) IS MORE SUITABLE FOR YOUR CABINETRY...

RECOMMENDED METHOD (a) - SECURE WITHOUT DRAWER REMOVAL (FRAMELESS CABINETRY ONLY)

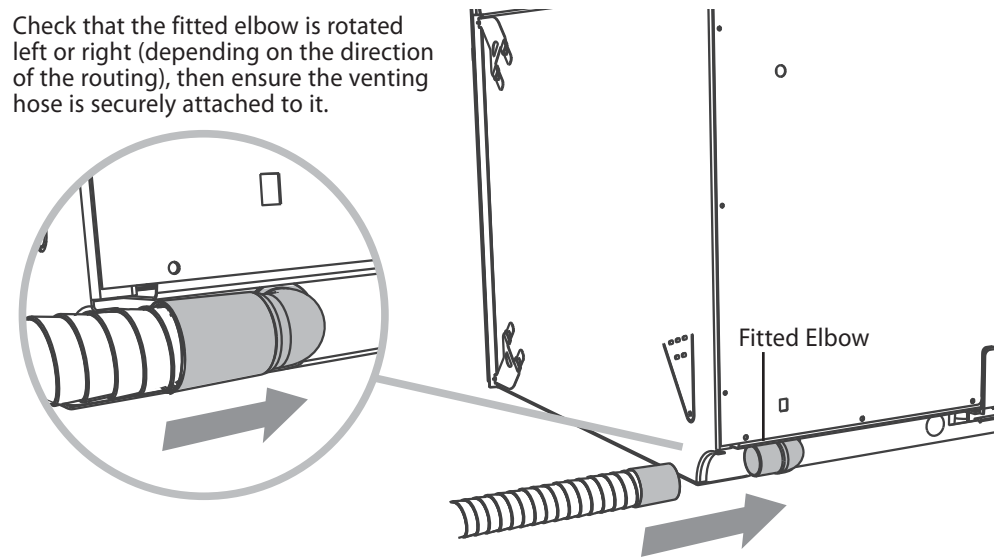


9a) ATTACH SIDE MOUNTING BRACKETS

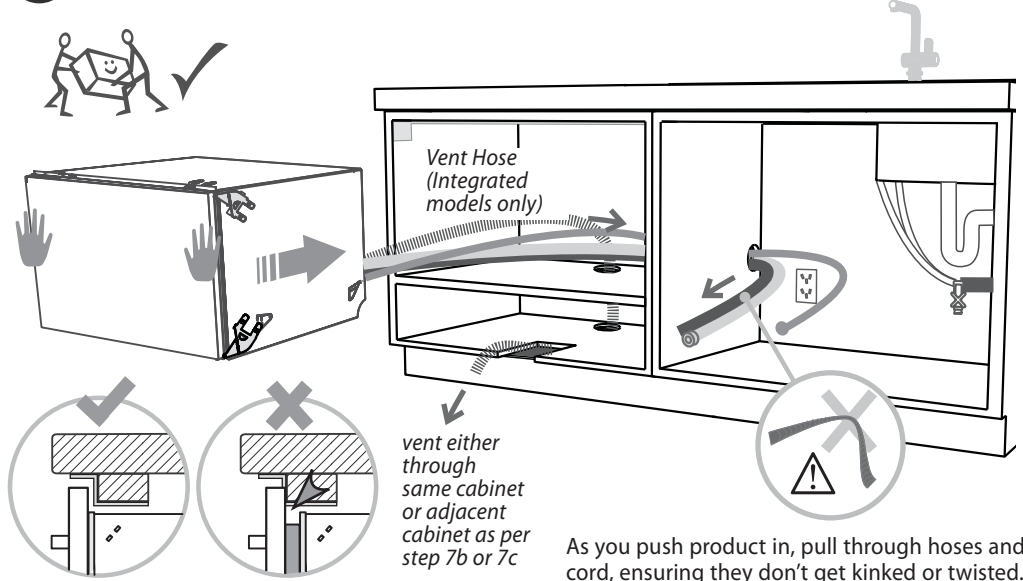


10a) INTEGRATED ONLY - ATTACH VENTING HOSE

Check that the fitted elbow is rotated left or right (depending on the direction of the routing), then ensure the venting hose is securely attached to it.



11a) PULL THROUGH HOSES & MOVE INTO THE CAVITY

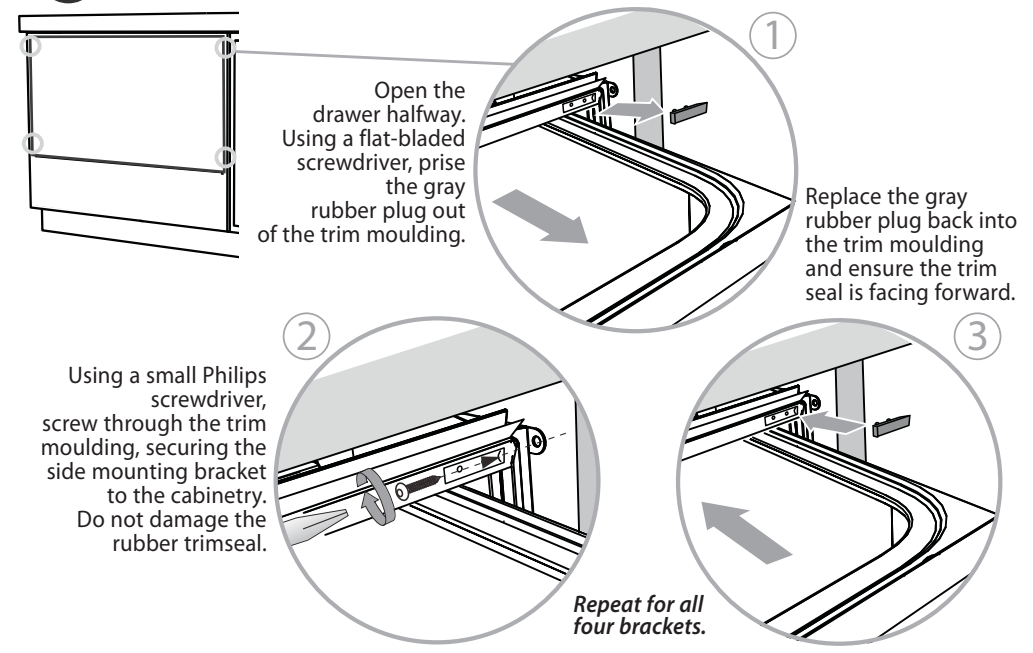


Important!
Ensure correct chassis position. In order for product to function, cabinetry must not block the front panel from closing hard against the chassis.

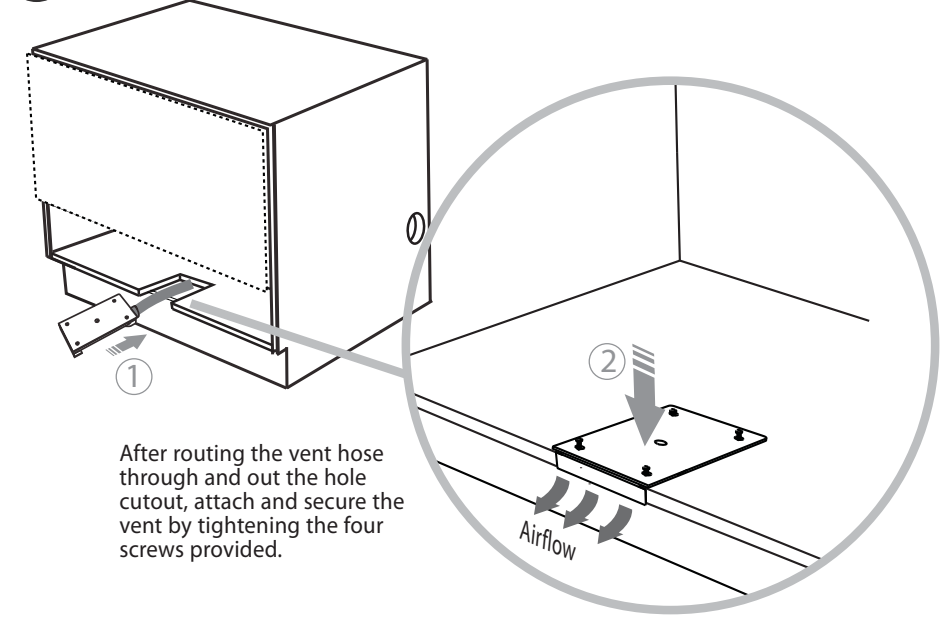
As you push product in, pull through hoses and cord, ensuring they don't get kinked or twisted.

Important!
If product cannot be pushed in far enough, pull out again and rearrange hoses and cord. Do not use excessive force, as doing so may squash the hoses and lead to incorrect operation.

12a) SECURE THE DRAWER

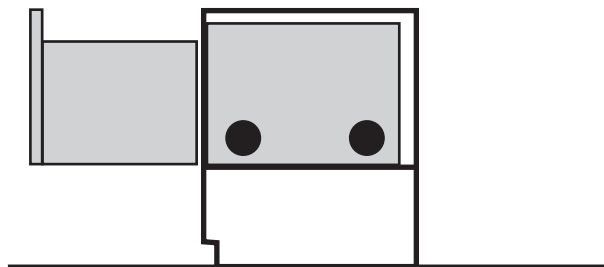


13a) INTEGRATED ONLY - SECURE THE EXTERNAL VENT



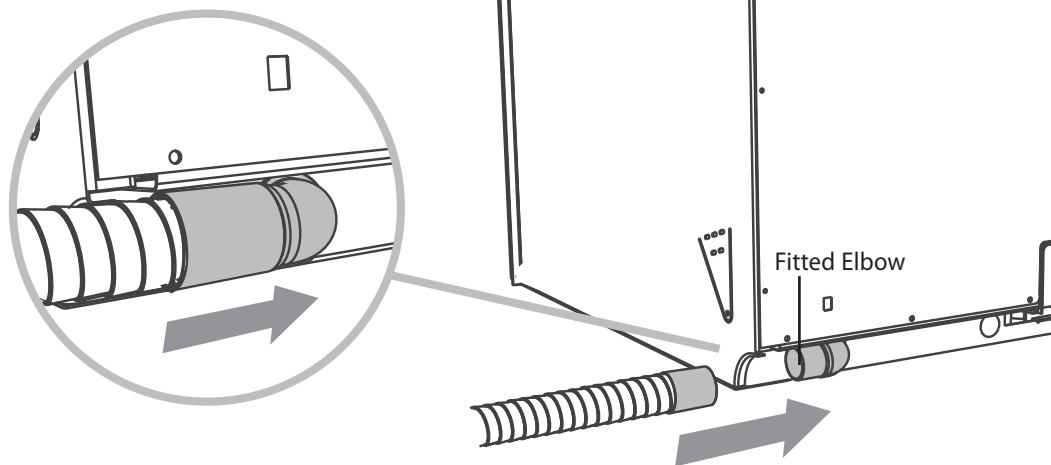
After routing the vent hose through and out the hole cutout, attach and secure the vent by tightening the four screws provided.

ALTERNATIVE METHOD (b) - SECURE BY DRAWER REMOVAL

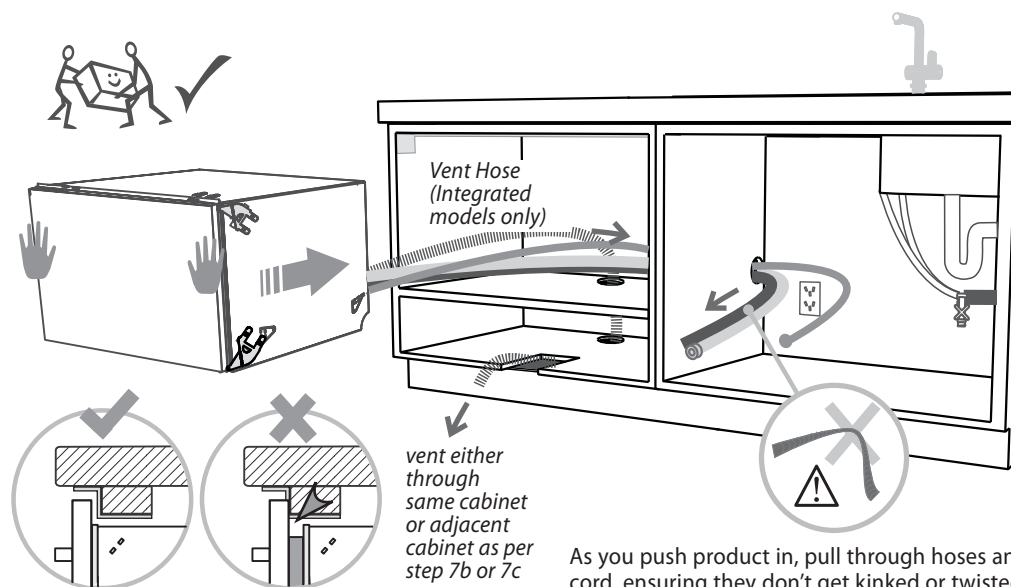


9b INTEGRATED ONLY - ATTACH VENTING HOSE

Check that the fitted elbow is rotated left or right (depending on the direction of the routing), then ensure the venting hose is securely attached to it.



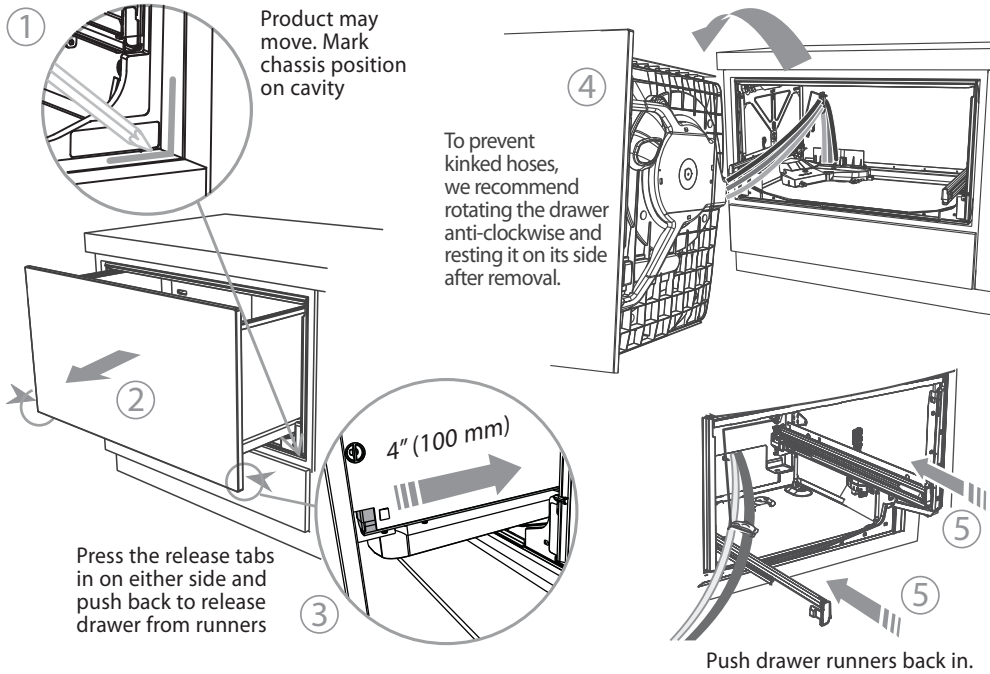
10b PULL THROUGH HOSES & MOVE INTO THE CAVITY



Important!
Ensure correct chassis position. In order for product to function, cabinetry must not block the drawer front from closing hard against the chassis.

Important!
If product cannot be pushed in far enough, pull out again and rearrange hoses and cord. Do not use excessive force, as doing so may squash the hoses and lead to incorrect operation.

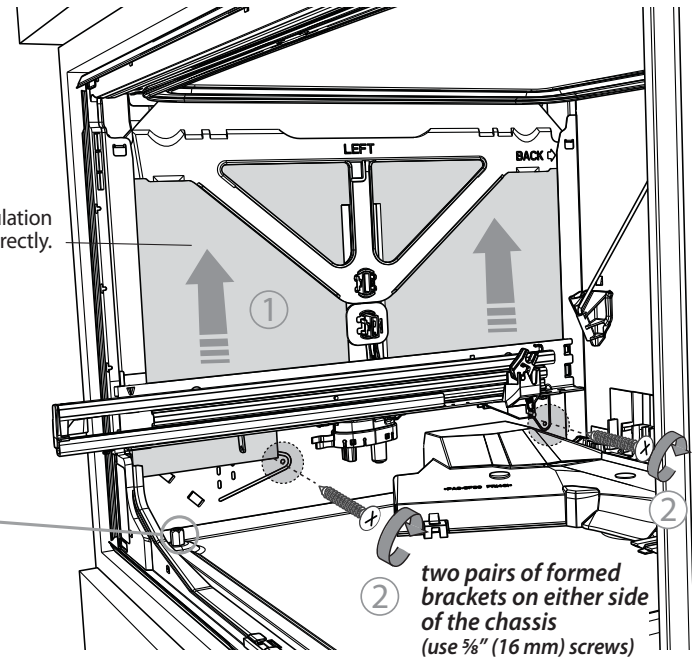
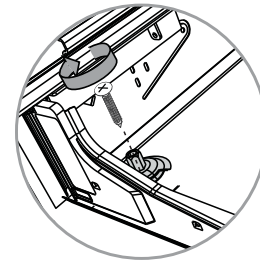
11b REMOVE THE DRAWER



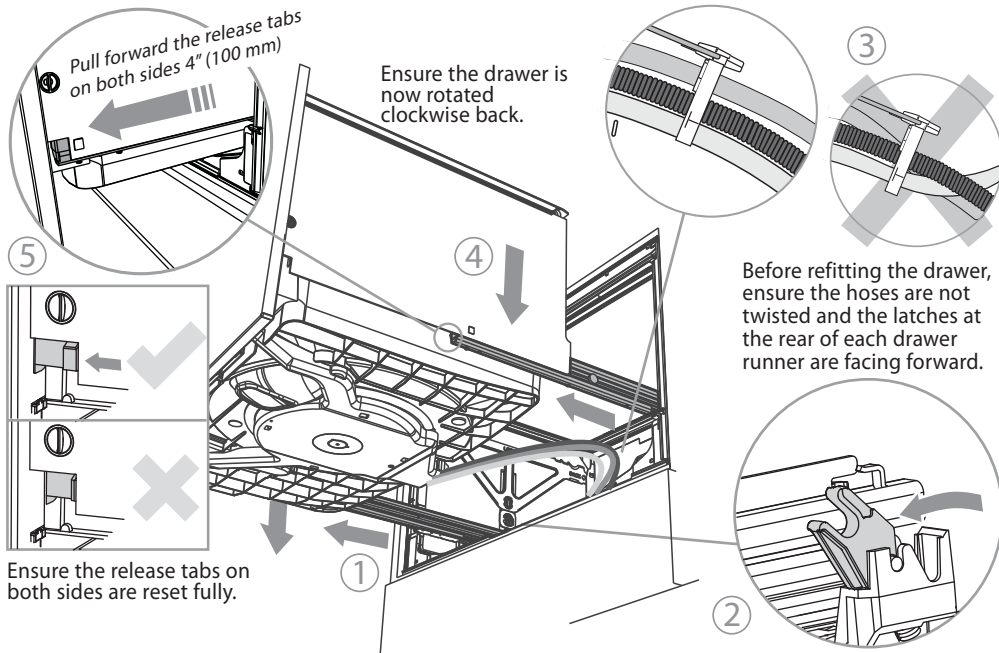
12b SECURE THE DRAWER TO THE CABINETRY

The product has three pairs of fixing points:
(Refer to 2 PARTS SUPPLIED for relevant parts)

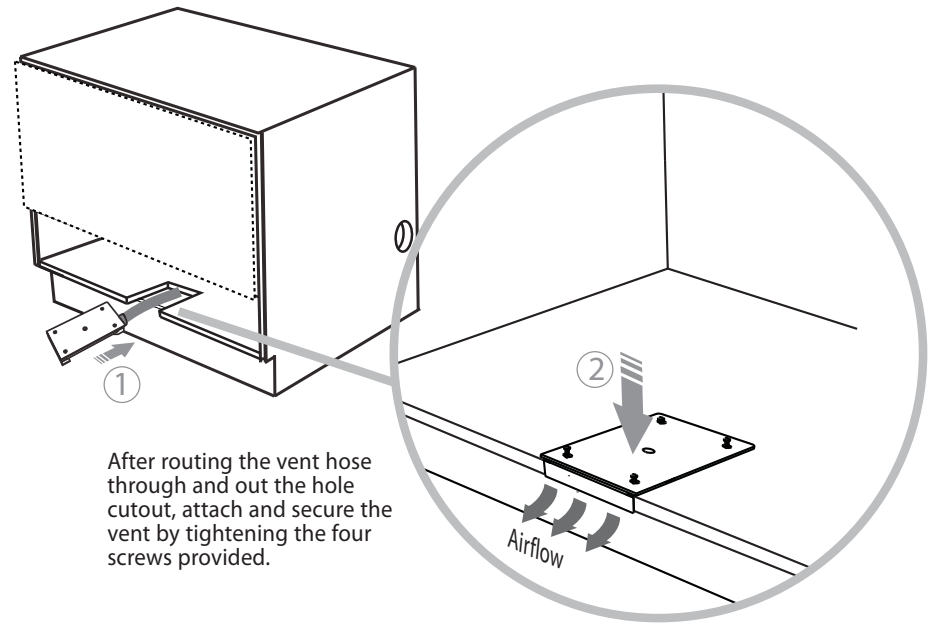
a pair of fixing holes either side on the bottom
(use 1½" (38 mm) fixing screws & washers)



13b REFIT THE DRAWER ONTO THE RUNNERS

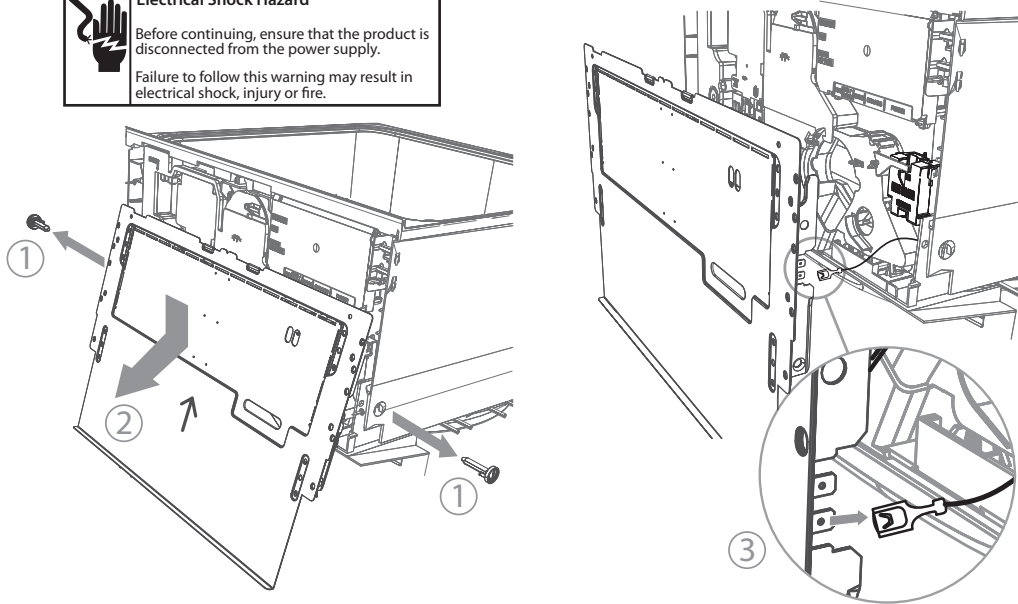


14b INTEGRATED ONLY - SECURE THE EXTERNAL VENT



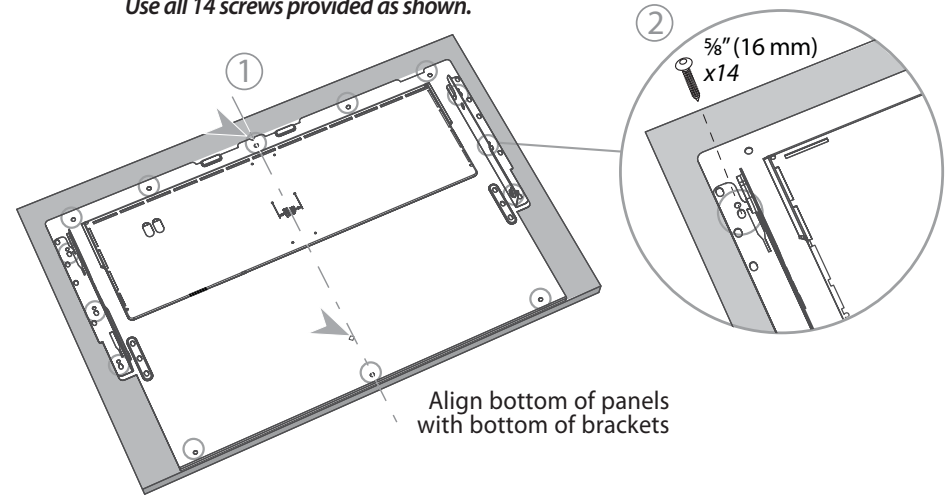
15 REMOVE BRACKET FROM PRODUCT

WARNING!
Electrical Shock Hazard
 Before continuing, ensure that the product is disconnected from the power supply.
 Failure to follow this warning may result in electrical shock, injury or fire.

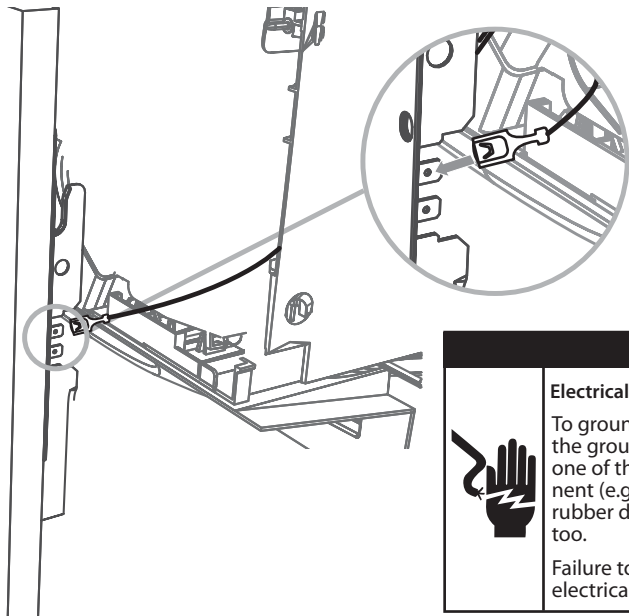


16 ATTACH PANEL TO PANEL BRACKET

Important!
 Use all 14 screws provided as shown.

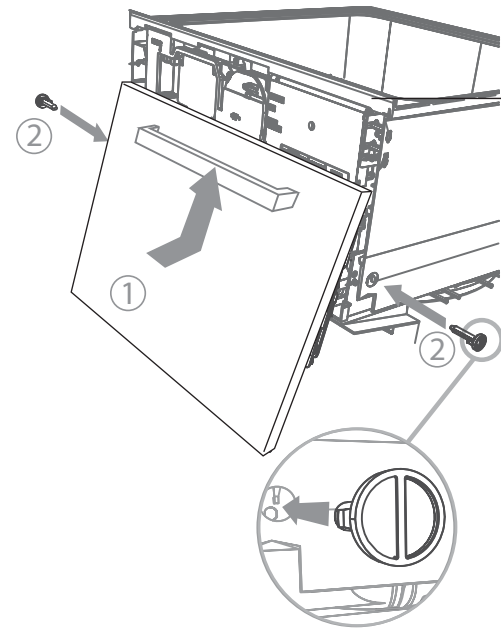


17 GROUND THE PANEL



WARNING!
Electrical Shock Hazard
 To ground (earth) the panel bracket, connect the ground (earth) wire from the product to one of the tabs. Any custom metal component (e.g. handle) that extends past the rubber door seal must be grounded (earthed) too.
 Failure to follow these warnings may result in electrical shock, injury or fire.

18 ATTACH PANEL TO PRODUCT

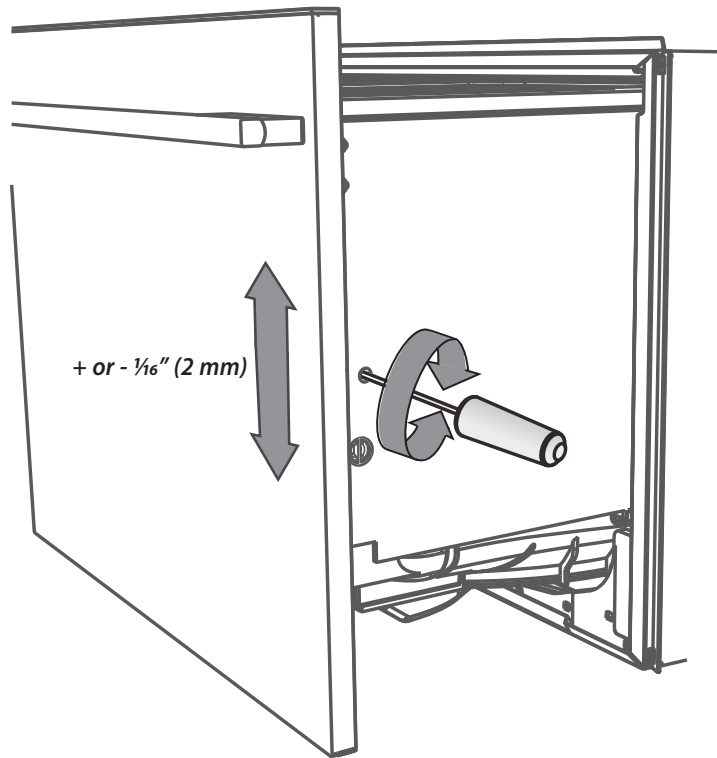


Important!
 Ensure the rubber seal between the drawer and panel is kept in place.

We recommend pushing the drawer runners back 4" (100 mm) before attaching the panel. Once the panel is fitted, ensure the runners are fully back into position and the release tabs on both sides are reset fully.

When refitting the door pins, ensure they are orientated as shown.

19 ADJUST PANEL HEIGHT TO ALIGN THE CABINETRY GAPS



Insert an appropriately sized Philips screwdriver into the hole above the door pin and rotate the panel up or down to align the gaps in your cabinetry.

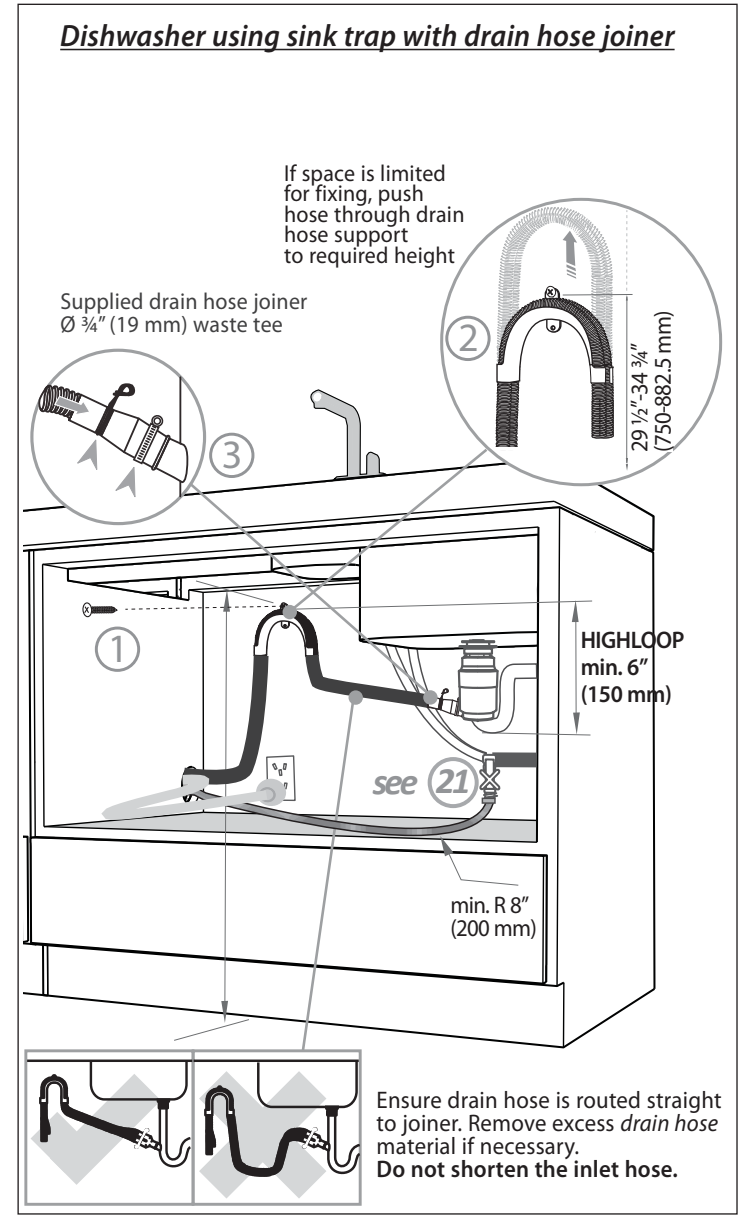
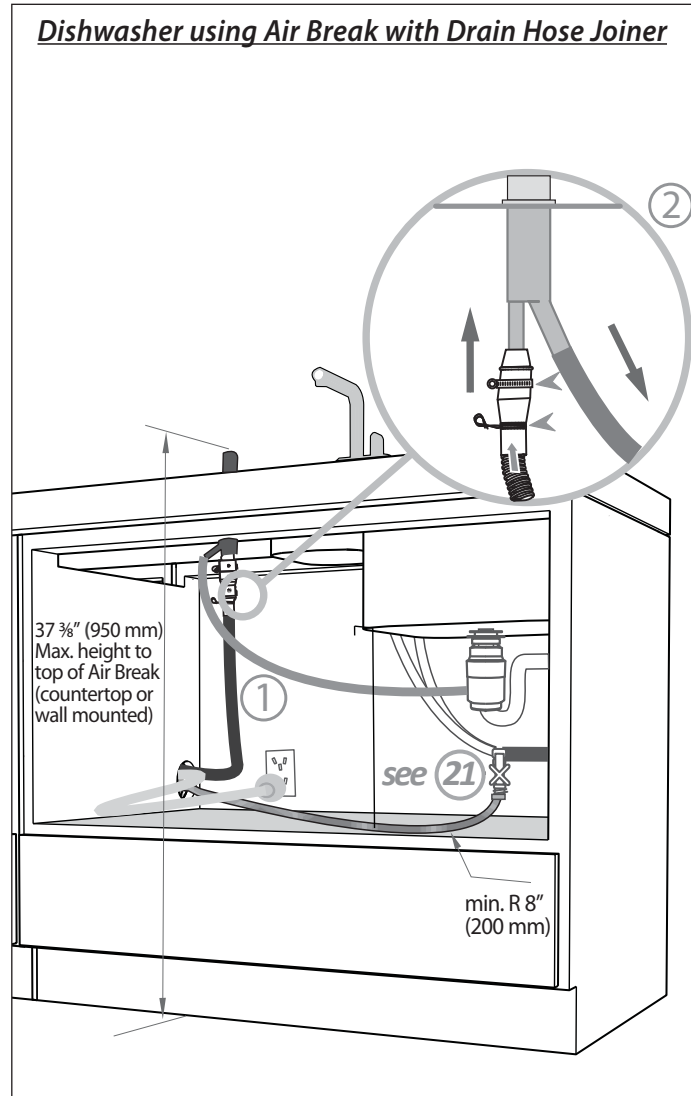
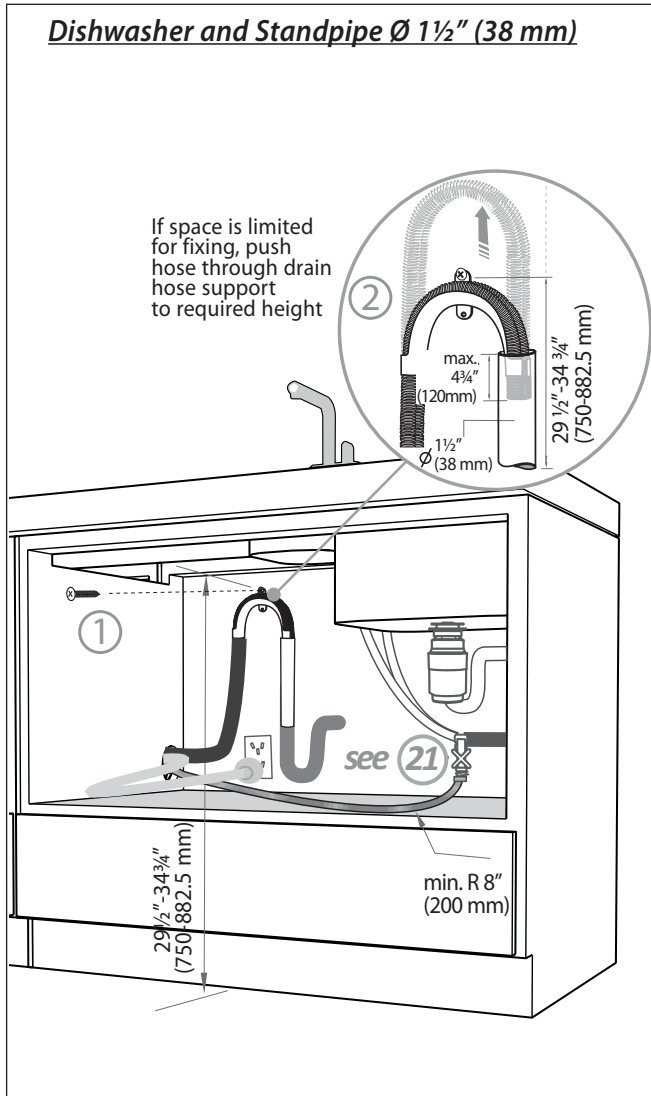
Repeat on the other side if necessary.

The panel has a maximum travel of 1/16" (2 mm) up or down.

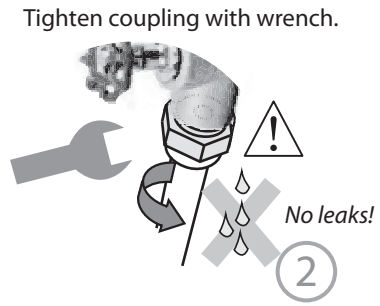
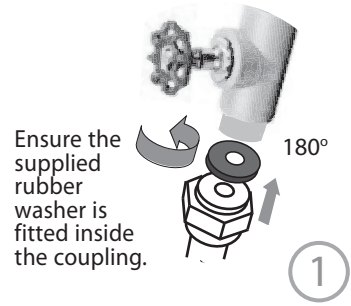
Important!

Integrated models: Ensure that you maintain a minimum of 1/16" (2 mm) ventilation gap below the panel.

Designer models: Ensure you maintain a minimum of 5/16" (8mm) ventilation gap below the panel.



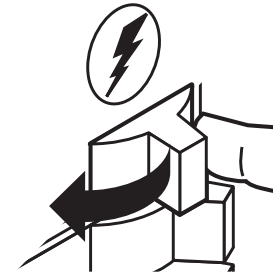
②① CONNECT INLET HOSE TO HOT WATER



Important!

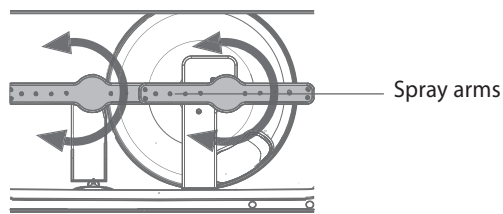
Ensure that drain connection will comply with local plumbing regulations.

②② SWITCH PRODUCT ON



23 FINAL CHECKLIST

- ✓
- Check all parts are installed.
- Ensure product is level, securely fastened to the cabinetry and opens and closes freely. The drawer must be free to fully close with no resistance from the cabinetry.
- Ensure inlet hose to water supply has supplied rubber washer fitted, and that it's tightened a further half turn after seal contact.
- Ensure any knockouts or plugs in drain connection have been drilled out and drain connection has been made.
- The drain hose joiner must not support the weight of excess hose material. Keep drain hose as fully extended as possible to prevent sagging. Any excess length of drain hose should be kept on the dishwasher side of the highloop.
- If connecting the drain hose to the sink trap, ensure the Highloop is a minimum 6" (150 mm) higher than the drain hose joiner.
- Ensure any packaging or tape securing the racks is removed from the drawer.
- Turn on the power and water supplies, then open the drawer. You should hear a beep and see a program indicator light up on the internal control panel.
- Check the spray arms are in place and free to rotate.



- Add three cups of water into the drawer. Press **▶** on the internal control panel until the indicator of the 'Rinse' program lights up. Close the drawer and press **▶||** to start the program.
- After the Rinse program has finished, ensure the dishwasher has run and drained correctly.
- Check water supply and drainage connection for leakage.

24 TROUBLESHOOTING

- **Excessive water remaining above the filter plate, after the rinse cycle**
Check for a kinked drain hose or blocked waste connection, highloop not properly installed or drain hose not routed correctly.
- **No water supply (This is displayed as a 'U1' fault -- see section 'If there is a fault' in the User guide for how to recognise this fault on models without a display.)**
Check water is connected and turned on.
- **The dishwasher is beeping continuously**
There is a fault. See section 'If there is a fault' in the User guide for further information and instructions.
- **No program indicator lights up when the drawer is opened**
Ensure power is connected and is switched on. If it is and still no indicator lights up, see the 'Preference options' section of the 'Quick start guide'. An option called 'Open drawer auto power-on' may need to be turned on.
- **Water around water supply and drainage connections**
Check connections, existing plumbing and hoses for leaks. Check rubber washer and hose clamp are correctly fitted.
- **If product is tipping**
Ensure the product is secured to the cabinetry.
- **If front panels are misaligned**
Check and relevel product. Check the cabinetry is square. Check and adjust front panel alignment if necessary.
- **Drawer doesn't close properly**
Ensure nothing is obstructing the drawer from closing properly eg sound insulation, hoses or drawer latches.
- If a problem occurs, consult the 'Troubleshooting' or 'Fault codes' section of the User guide.
- If after checking these points you still need assistance, please refer to the Service & Warranty book for warranty details and your nearest Authorized Service Center, or contact us through our website, listed below.

Important! **SAVE THESE INSTRUCTIONS**

The models shown in this document may not be available in all markets and are subject to change at any time. For current details about model and specification availability in your country, please visit our website listed at the end of this document or contact your local Fisher & Paykel dealer.