



PROFESSIONAL 30" FIVE BURNER SELF-CLEAN GAS RANGE

Installation Guide



MODELS:
RGTC-305



A MESSAGE TO OUR CUSTOMERS

Thank you for selecting the DCS Professional 30" Self-Clean Gas Range. Because of this appliance's unique features we have developed this Installation Guide. It contains valuable information on how to properly install your new appliance for years of safe and enjoyable cooking.

For your convenience, product questions can be answered by a DCS Customer Care Representative by phone: 1-888-936-7872 ,or email:customer.care@fisherpaykel.com.

NOTE: Please write the Model and Serial Numbers on this page for references (located on rating plate on the back panel and also on the front frame, right lower corner between the kick panel and the oven door).

MODEL NUMBER _____ SERIAL NUMBER _____

NOTE: Inspect the product to verify that there is no shipping damage. If any damage is detected, call the shipper and initiate a damage claim. DCS by Fisher & Paykel is not responsible for shipping damage.

DO NOT discard any packing material (box, pallet, straps) until the unit has been inspected.

WARNING

Improper installation, adjustment alteration, service or maintenance can cause property damage, injury or death. Read the installation, operating and maintenance instructions thoroughly before use, installing or servicing this equipment.

WARNING

If the information in this manual is not followed exactly, a fire or explosion may result causing property damage, personal injury or death.

Do not store or use gasoline or other flammable vapors and liquids in the vicinity of this or any other appliance.

DANGER

If You Smell Gas:

1. Do not try to light any appliance.
2. Do not touch any electrical switch; do not use any phone in your building.
3. Immediately call your gas supplier from a neighbor's phone. Follow the gas supplier's instructions.
4. If you cannot reach your gas supplier, call the fire department.
5. Installation and service must be performed by a qualified installer, service agency or the gas supplier.

WARNING

To reduce the risk of injury to persons in the event of a cooktop grease fire, observe the following: Turn burner off first. Smother flames with a close-fitting lid, cookie sheet, metal tray, baking soda or use a dry chemical or foam-type fire extinguisher. Be careful to prevent burns. If the flames do not go out immediately, evacuate and call the fire department. Never pick up a flaming pan - You may be burned. **DO NOT USE WATER ON GREASE FIRES**, including wet dishcloths or towels - a violent steam explosion will result. Use an extinguisher **ONLY** if:

1. You know you have a Class ABC extinguisher, and you already know how to operate it.
2. The fire is small and contained in the area where it started.
3. The fire department is being called.
4. You can fight the fire with your back to an exit.

PLEASE RETAIN THIS MANUAL FOR FUTURE REFERENCE.

TABLE OF CONTENTS

INTRODUCTION	3
SAFETY PRACTICES AND PRECAUTIONS	4-6
PLANNING THE INSTALLATION	7-8
UNPACKING AND HANDLING	8-10
VENTILATION REQUIREMENTS	11
INSTALLING ANTI-TIP DEVICE	12
CABINET PREPARATION	13-14
BACKGUARD INSTALLATION	15
ELECTRICAL CONNECTIONS	15
GAS HOOK-UP	16
TEST AND ADJUSTMENTS	17
CLEANING EXTERIOR SURFACES	18
INSTALLER FINAL CHECKLIST	18
HOW TO OBTAIN SERVICE	19
WARRANTY	20-21

INTRODUCTION

The Patented Dual Flow Burners™ on the DCS RGTC Range allow for consistently lower simmer temperatures and have a high output of 17,500 Btu/hr, with two burners at 12,500 Btu/hr. The large capacity gas convection oven of the RGTC is equipped with an in-oven gas infrared broiler.

IMPORTANT INSTALLATION INFORMATION

The RGTC Range is tested in accordance with ANSI Z21.1 Standard for Household Cooking Gas Appliances. These ranges must be installed in conjunction with a suitable overhead vent hood (see step 2 for ventilation requirements). Due to the professional high heat capacity of this unit, particular attention should be paid to the hood and duct work installation to ensure it meets local building codes. To eliminate risk of burns or fire by reaching over heated surface units, cabinet storage located above the surface units should be avoided.

Check local building codes for the proper method of range installation. Local codes vary. Installation, electrical connections, and grounding must comply with all applicable codes. In the absence of local codes, the range should be installed accordance with the National Fuel Gas Code ANSI Z223-1 and National Electrical Code ANSI / NFPA 70-1990. Be sure that the unit being installed is set up for the kind of gas being used. The gas ranges are shipped from the factory set and adjusted for natural gas or LP (propane), depending on the specific model ordered. **Verify that the range is compatible with gas supply at the installation site before proceeding further.** Return range to dealer if unit is not set for the gas supplied at the site.

SAFETY PRACTICES AND PRECAUTIONS

When properly cared for, your new DCS Appliance has been designed to be a safe, reliable cooking appliance. When using this restaurant caliber appliance, use it with extreme care, as this type appliance provides intense heat which can increase the accident potential. Basic safety precautions must be followed when using kitchen appliances, including the following:

- Read the Use and Care Manual which came with this appliance thoroughly before using your new appliance. This will help to reduce the risk of fire, electric shock, or injury to persons.
- Begin by insuring proper installation and servicing. Follow the installation instructions in this manual. Be sure to have a qualified technician install and ground this appliance before using.
- Have the installer show you where the gas supply shut-off valve is located so you will know how and where to turn off the gas to the appliance.
- If you smell gas, the installer has not done a proper job of checking for leaks. You can have a small leak and therefore a faint gas smell if the connections are not completely tight. Finding a gas leak is not a “do-it-yourself” procedure. Some leaks can only be found with the burner control in the “ON” position and for your protection it must be done by a qualified service technician.
- If by some chance a burner goes out and gas escapes, open a window or a door to let the room air out. Do not attempt to use the appliance until the gas has had time to dissipate. Follow the instructions on page 1, “For your safety – if you smell gas”.
- This appliance has been factory assembled for natural or LP gas. It should be correctly adjusted from the factory for the type of gas that is used.
- Do not repair or replace any part of this appliance unless it is specifically recommended in this manual. All other servicing should be referred to a qualified technician.
- Children should not be left alone or unattended in an area where appliances are in use. They should never be allowed to turn knobs, push buttons, sit or stand on, and/or touch any part of an appliance while in operation.
- Children in walkers, or children crawling can be attracted to the round oven door handle and may grab and open the oven door. This can result in injury from the door being pulled open on a child, or severe burns if the oven is in use and hot.

WARNING:

Do not store items of interest to children above or at the back of any appliance. Children could be seriously injured if they should climb onto the appliance to reach these items.

- Never store anything in the oven or on the cooktop. Flammable materials can catch fire, plastic items may melt or ignite and other types of items could be ruined.
- Do not hang articles from any part of the appliance or place anything against the oven. Some fabrics are quite flammable and may catch on fire.
- If the appliance is near a window be certain the curtains do not blow over or near the cooktop burners; they could catch on fire.
- Do not use water on grease fires. Turn all burners “OFF”, then smother the fire with baking soda or use a dry chemical or foam-type fire extinguisher.
- Never let clothing, pot holders, or other flammable materials come in contact with, or too close to, any burner or burner grate until it has cooled. Fabric may ignite and result in personal injury.
- Be certain to use only dry pot holders: moist or damp pot holders on hot surfaces may cause burns from steam. Do not use a towel or other bulky cloth in place of pot holders. Do not let pot holders touch hot burners, or burner grates.

SAFETY PRACTICES AND PRECAUTIONS

- For personal safety, wear proper apparel. Loose fitting garments or hanging sleeves should never be worn while using this appliance. Some synthetic fabrics are highly flammable and should not be worn while cooking.
- Do not use aluminum foil to line any part of the oven or cooktop. This will cause heat to be trapped underneath it. This trapped heat can upset the cooking performance and can damage the finish of the oven or the cooktop parts.



WARNING! NEVER cover any slots, holes or passages in the oven bottom or cover an entire rack with materials such as aluminum foil. Doing so blocks airflow through the oven and may cause carbon monoxide poisoning. Aluminum foil linings may also trap heat, causing a fire hazard.

- This appliance is for cooking. Never use the oven or cooktop to warm or heat a room. This could damage the cooktop or oven parts.



WARNING! NEVER use this appliance as a space heater to heat or warm the room. Doing so may result in carbon monoxide poisoning and overheating of the oven.

- When using the cooktop: Do not touch the burner grates or the immediate surrounding area. Areas adjacent to the burners may become hot enough to cause burns.
- When using the oven: Do not touch the interior surfaces of the oven, the exterior area immediately surrounding the door or the back trim. The surfaces directly above the oven door may be hot if the oven has been operated with the door open, or if something has prevented the door from sealing.
- Never leave the cooktop unattended when using high flame settings. When cooking with high flame settings, boil overs may cause smoking and greasy spill overs may ignite. More importantly, if the burner flames are smothered by a severe boil over which effects the igniter, unburned gas will escape into the room.
- Only certain types of glass, heat-proof glass-ceramic, ceramic, earthen ware, or other glazes utensils are suitable for cooktop use. This type of utensil may break with sudden temperature changes. Use only on low or medium flames settings according to the manufacturer's directions. The use of professional utensils is recommended.
- Do not heat unopened food containers; a build up of pressure may cause the container to burst.
- During cooking, set the burner control so that the flame heats only the bottom of the pan and does not extend beyond the bottom of the pan. This could heat and/or melt the handles, and may increase cooking time.
- Always use utensils that have flat bottoms large enough to cover the burner. The use of undersized utensils will expose a portion of the flame to direct contact and may result in ignition of clothing.
- To minimize burns, ignition of flammable materials and unintentional spill overs, position handles of utensils inward so they do not extend over adjacent work areas, cooking areas, or the edge of the cooktop.
- Hold the handle of the pan to prevent movement of the pan when stirring or turning food.
- Grease is flammable. Let hot grease cool before attempting to handle it. Avoid letting grease deposits collect around the cooktop burners. Clean after each use or boil over.
- For proper lighting and performance of the cooktop burners, keep the burner ports clean. It may be necessary to clean these when there is a boil over or when the burner does not light, even though the electronic igniters click.

SAFETY PRACTICES AND PRECAUTIONS

- Clean the cooktop with caution. Avoid steam burns; do not use a wet sponge or cloth to clean the cooktop while it is hot. Some cleaners produce noxious fumes if applied to a hot surface. Follow directions provided by the cleaner manufacturer.
- Be sure all the range and/or cooktop controls are turned off and the appliance is cool before using any type of aerosol cleaner on or around the appliance. The chemical that produces the spraying action could, in the presence of heat, ignite or cause metal parts to corrode.
- Place oven racks in desired position while the oven is cool. If a rack must be moved while the oven is hot, do not let the pot holders contact the hot interior lining of the oven.
- Use care when opening the oven door; let hot air or steam escape before removing or replacing foods.
- Do not rub, damage, move or remove the door gasket. It is essential for a good seal during baking. Wash the gasket with hot water only.
- Clean the ventilator hood and filters above the range or cooktop frequently so grease from cooking vapors does not accumulate on them. The filter can be cleaned in a dishwasher or DishDrawer. Follow directions provided by ventilation manufacturer for cleaning.
- Turn the ventilator "OFF" in case of fire or when intentionally "flaming" liquor or other spirits on the cooktop. The blower, if in operation, could unsafely spread the flames.
- DO NOT obstruct the flow of combustion or ventilation air to the appliance. Be sure a fresh air supply is available.
- For safety reasons and to avoid damage to the appliance never sit, stand, or lean on the oven door or cooking surface.
- Service should only be done by authorized technicians. Technicians must disconnect the power supply before servicing this appliance.



WARNING:

California Proposition 65 - The burning of gas cooking fuel generates some by-products which are known by the State of California to cause cancer or reproductive harm. California law requires businesses to warn customers of potential exposure to such substances. To minimize exposure to these substances, always operate this unit according to the instructions contained in this booklet and provide good ventilation to the room when cooking with gas.

RECOMMENDATIONS ON HOOK-UP TO GAS SUPPLY:

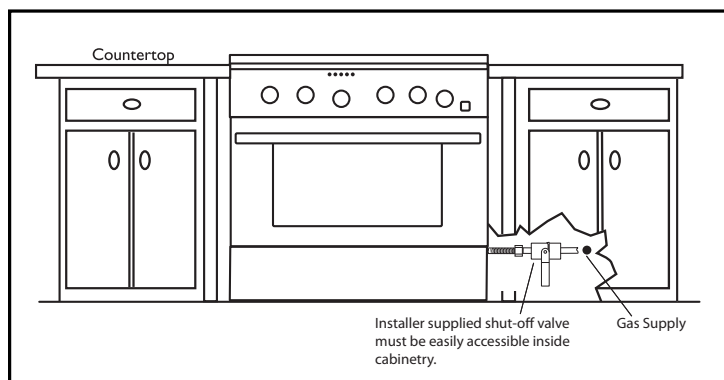
A manual valve must be installed external to the appliance, in an accessible location from the front for the purpose of shutting off the gas supply. The supply line must not protrude beyond the back of the unit. Make sure the gas supply is turned off at the wall valve before connecting the appliance.

The gas supply connections should be made by a qualified technician and in accordance with local codes or ordinances. In the absence of a local code, the installation must conform to the latest edition of the National Fuel Gas Code ANSI 223.1.

NOTE:

This product must be installed by a licensed plumber or gas fitter when installed within the Commonwealth of Massachusetts.

NOTE: (mandatory for the State of Massachusetts) Alternate method of supplying gas must be installed into the unit.



PLANNING THE INSTALLATION

IMPORTANT INSTALLATION INFORMATION

The RGTC-305 is tested in accordance with ANSI Z21.1 Standard for Household Cooking Gas Appliances.

The range must be installed in conjunction with a suitable overhead vent hood. (See ventilation requirements, page 11). Due to the professional high heat capacity of this unit, particular attention should be paid to the hood and duct work installation to ensure it meets local building codes. To eliminate risk of burns or fire by reaching over heated surface units, cabinet storage located above the surface units should be avoided.

All range models with less than a 12" clearance between combustible material and the back edge of the range, require the installation of one of the two offered Wall Mount Backguards – see page 15.

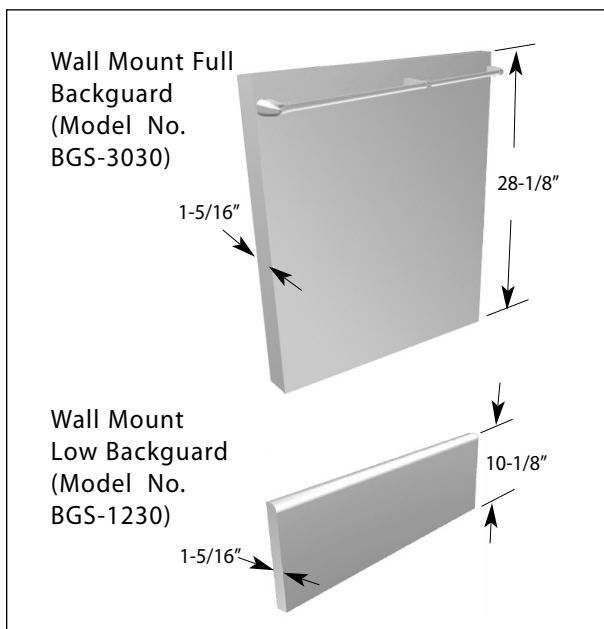


Fig. 01

Check local building codes for the proper method of range installation. Local codes vary. Installation, electrical connections, and grounding must comply with all applicable codes. In the absence of local codes, the range / cooktop should be installed in accordance with the National Fuel Gas Code ANSI Z223.1 and National Electrical Code ANSI / NFPA 70-1990.

Be sure that the unit being installed is set up for the kind of gas being used. The gas range is shipped from the factory set and adjusted for Natural Gas or LP (propane), depending on the specific model ordered. **Verify that the range is compatible with the gas type at the installation site before proceeding further.** Return range to dealer if the unit is not set for the gas supplied at the site.

PLANNING THE INSTALLATION

RECOMMENDED INSTALLATION INSTRUCTION (when using BGS-3030 Backguard which is sold separately)

Install components in the following order:

- A. Vent Hood
- B. Backguard System
- C. Range

1. Locate and level range according to range installation instructions.
2. Measure distance from floor to top of island trim on range, adding 1/8" for backguard clearance.
3. Transfer this measurement to the wall. This will mark the bottom of your backguard.
4. From this line measure 28-1/8" up wall to mark the top of 30" backguard. This is the minimum height that the bottom of your vent hood can be installed.
5. Follow vent hood manufacturer's installation instructions to install vent hood.
6. Follow backguard installation instructions to install backguard.
7. Connect gas and electric connections and slide range into position.

UNPACKING AND HANDLING

CAUTION:

Proper equipment and adequate manpower must be used in moving the range to avoid damage to the unit or the floor. The unit is heavy and rests on adjustable steel legs.



WARNING:

DO NOT lift range by the oven door handles or drip pan handle!!

MOVING AND PLACING THE RANGE

The range has a shipping weight of approximately 408 pounds or 354 pounds after removal of packing materials. It is recommended that the door, grates and front kick panel be removed to facilitate handling. This will reduce the weight to about 230 pounds.

It may be necessary to remove the oven doors and knobs to pass through some doorways. With the doors and knobs removed, 29-3/8" wide opening is required. Without removing the door, 30" wide opening is required. Remove the outer carton and packing material from the shipping base.

UNPACKING AND HANDLING

MOVING AND PLACING THE RANGE (continued)

Electric and gas connections should be made before the range is slid into the cabinet opening (see pages 13). If installing a full backguard with the range, it should also be installed before the range is placed in its final position (refer to pages 15). For proper performance, the professional range should be level. To achieve a flush fit of the range to adjoining countertops, it will be necessary to have level cabinets (front to back, and left to right across opening of the range). After checking the countertops are level and before sliding the range into place, measure the distance from the floor to the top of the counter work surface in the rear left and right corners. Adjust the corresponding rear corner of the range to an equal height of the counter, as the rear leveling legs are not accessible once the range is pushed into place. Once the range is in place, the front leg levelers can be accessed to level the front of the range. Replace the kick panel and oven doors by reversing the procedure described previously. **It is important that the two screws retaining the kick panel are secure to prevent accidental access to live electrical components and wires (Fig. 02).**

Anti-tip device should be installed (see page 12 for instructions). The professional range should be transported by a dolly close to its final location. The range can be tipped back and supported on the rear legs while the dolly is removed. **The floor under the legs should be protected (wood strips, carpet, paneling, etc.) before pushing the unit back into position.**

Note:

For ease of installation, be sure to install venthood and backguard system before sliding range into position.

CAUTION:

Before using the range, be sure to remove shipping spacer insert in the broiler (see Fig. 03).

To remove the kick panel:

Removing two screws at the top and pulling forward. The range is held to the skid by L-brackets in the front behind the kick panel, (Fig. 02) and two L-brackets located on the bottom flange of the range back (Fig. 04). After removing the brackets, the range must be lifted and removed from the skid.

Due to the weight, a dolly with soft wheels should be used to move this unit. The weight must be supported, uniformly across the bottom (Fig. 05).



WARNING!

Do not lift oven door by the handle - will cause damage! Be sure the oven and door are cool before you begin to remove the door!

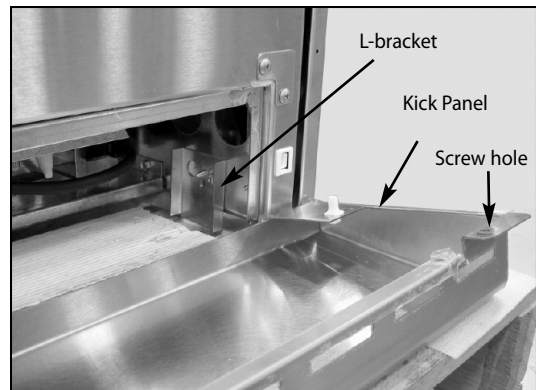


Fig. 02

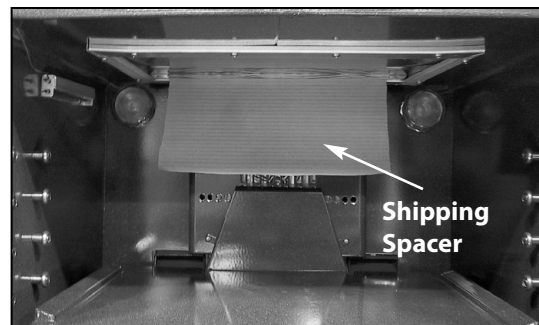


Fig. 03

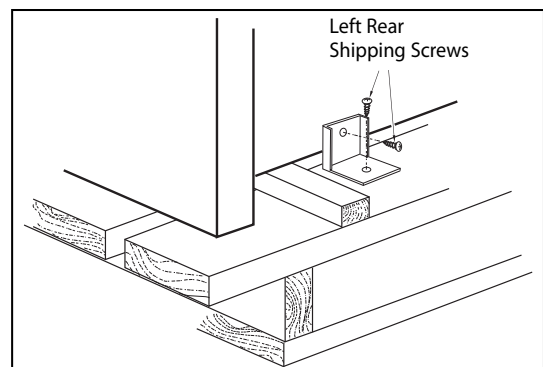


Fig. 04

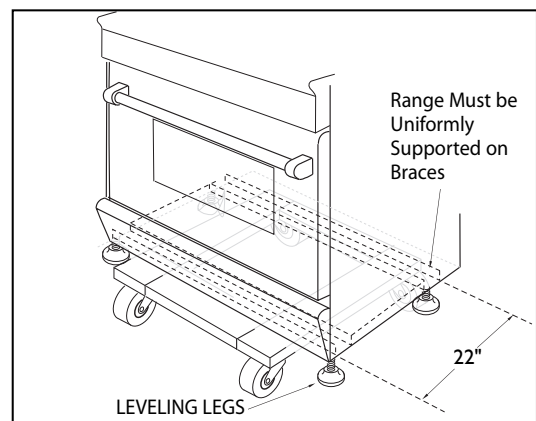


Fig. 05

UNPACKING AND HANDLING

To remove door:

1. Open the door all the way open (Fig. 06).
2. Unlock the door hinges by rotating the lock forward (Fig. 07).
3. Once both hinges are unlocked, gently begin to close the door until approximately halfway closed. Grabbing the sides of the door and gently lifting up and slightly forward, the door will unlatch from the hinge. **DO NOT lift door by the handle - will cause damage!**
4. Continue to lift and pull the door away from the range.



Fig. 06
OVEN HINGE ASSEMBLY

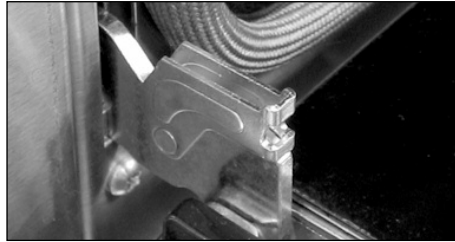


Fig. 07
HINGE RETAINER CLIP IN UNLOCKED POSITION

To re-install door:

1. Position the door in approximately halfway open position.
2. Simply place the hinge tongue into the hinge slots (See Fig. 08).
3. Push the door into the slots until you feel them fall into the latches.
4. Open the door completely and rotate the locks into the closed position (Fig. 09).
5. Close the oven door.

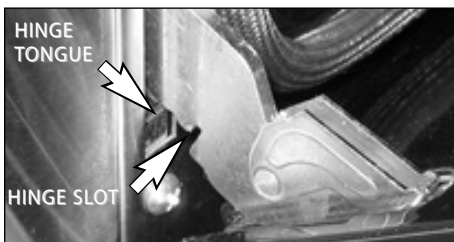


Fig. 08
HINGE ASSEMBLY

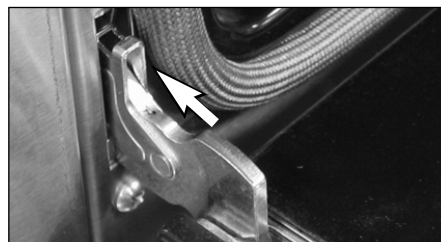


Fig. 09
HINGE RETAINER CLIP IN LOCKED POSITION

VENTILATION REQUIREMENTS

A suitable exhaust hood must be installed above the range. The following chart indicates the minimum blower capacity recommended for hood ventilation.

Ventilation Unit	Standard Counter Installation Recommendations	Island Installation Recommendations
HOOD	24" Deep x Unit Width	30" Deep x 36" at Bottom
BLOWER	600 CFM (min.)	600 CFM (min.)

CAUTION:

Ventilation hoods and blowers are designed for use with single wall ducting. However, some local building codes or inspectors may require double wall ducting and/or damper. Consult local building codes and/or local agencies, before starting, to ensure that hood and duct installation will meet local requirements.

Hood blower speeds should be variable to reduce noise and loss of heated or air conditioned household air when maximum ventilation is not required.

For best smoke elimination, the lower edge of the hood should be installed a minimum of 30" to a maximum of 36" above the range cooking surface, (page 13). If the hood contains any combustible materials (i.e. a wood covering) it must be a minimum of 36" above the cooking surface.

Due to a high volume of ventilation air, a source of make-up air (outside replacement air) is recommended. This is particularly important for tightly sealed and insulated homes. A reputable heating and ventilating contractor should be consulted.

INSTALLING ANTI-TIP DEVICE

All ranges must have an anti-tip device correctly installed as per the following instructions. If you pull the range out from the wall for any reason, make sure that the device is properly engaged when you push the range back against the wall. If it is not, there is a possible risk of the range tipping over and causing injury if you or a child stand, sit or lean on an open oven door.

INCLUDED PARTS:

(4) #10 x 2" wood screws,
(1) Anti-tip bracket, and (1) Installation Instructions.

INSTALLING THE KIT:

Instructions are provided for wood and cement floors. Any other type of construction may require special installation techniques as deemed necessary to provide adequate fastening of the Anti-tip bracket to the floor and wall. The use of this bracket does not preclude tipping of the range when not properly installed.

WOOD CONSTRUCTION:

Place the bracket against the back wall, into the right rear corner where the range is to be located. Leave a gap between the wall (or side of range) and the bracket of 3/4" (see Fig. 10). Drill (2) 1/8" diameter pilot holes in the center of the small holes. A nail or awl may be used if a drill is not available. Fasten the bracket securely to the floor and wall.

CONCRETE OR CEMENT CONSTRUCTION:

Hardware Required:

(2) sleeve anchors, lag bolts, and washers (not provided).

Locate the bracket as described above. Drill the recommended size holes for the hardware. Install the sleeve anchors into the holes and then install the lag bolts through the bracket. The bolts must be properly tightened as recommended for the hardware. Fasten the bracket securely to the floor and wall.

ONCE INSTALLED:

Complete the range installation per the instructions provided with the product. Check for proper installation of the range and Anti-tip device by grasping the back of the unit and carefully attempt to tilt the range forward.

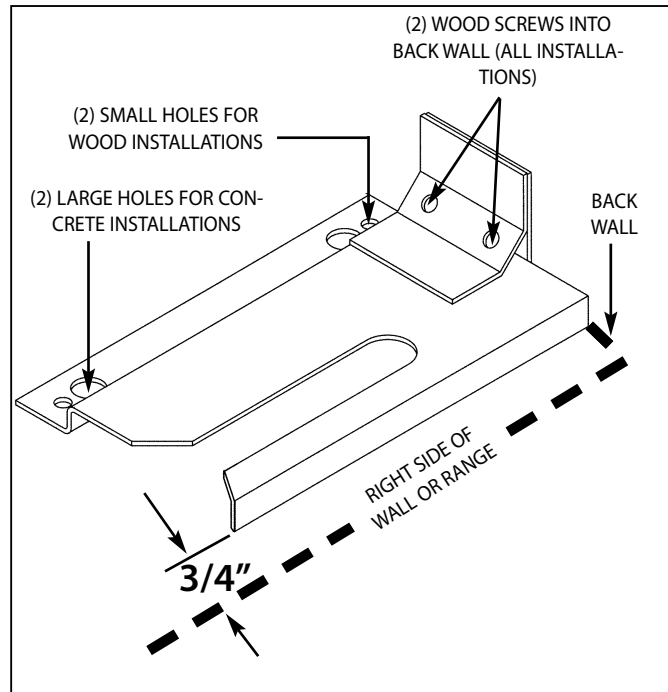


Fig. 10



Fig. 11

CABINET PREPARATION

1. The range is a free standing unit. If the unit is to be placed adjacent to cabinets, the clearances shown in Fig. 13 are required. The same clearances apply to island installations.
2. The range can be placed in various positions with respect to the cabinet front, with the front frame either flush or projecting, depending on the countertop depth.
3. The gas and electrical supply should be within the zones shown Fig. 13.
4. The maximum depth of over head cabinets installed on either side of the hood is 13".
5. Any openings in the wall behind the range and in the floor under the range must be sealed.
6. When there is less than a 12" clearance between combustible material and the back edge of the range, (above the cooking surface) a DCS Low backguard or Full backguard must be installed (See Fig. 14). The range comes equipped with island Trim as standard. Fig. 14 indicates the space required for each type of backguard.
7. Always keep the appliance area clear and free from combustible materials, gasoline and other flammable vapors and liquids.
8. Do not obstruct the flow of combustion and ventilation air to the unit.

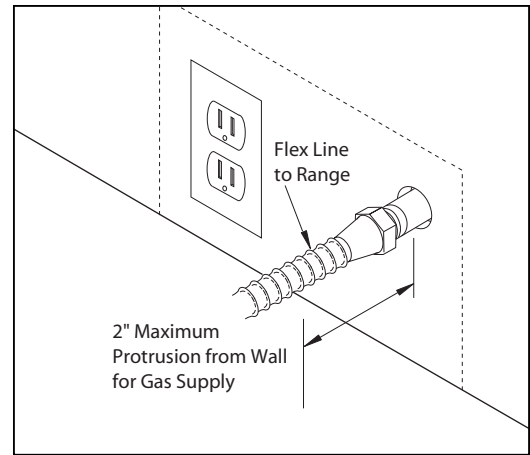


Fig. 12

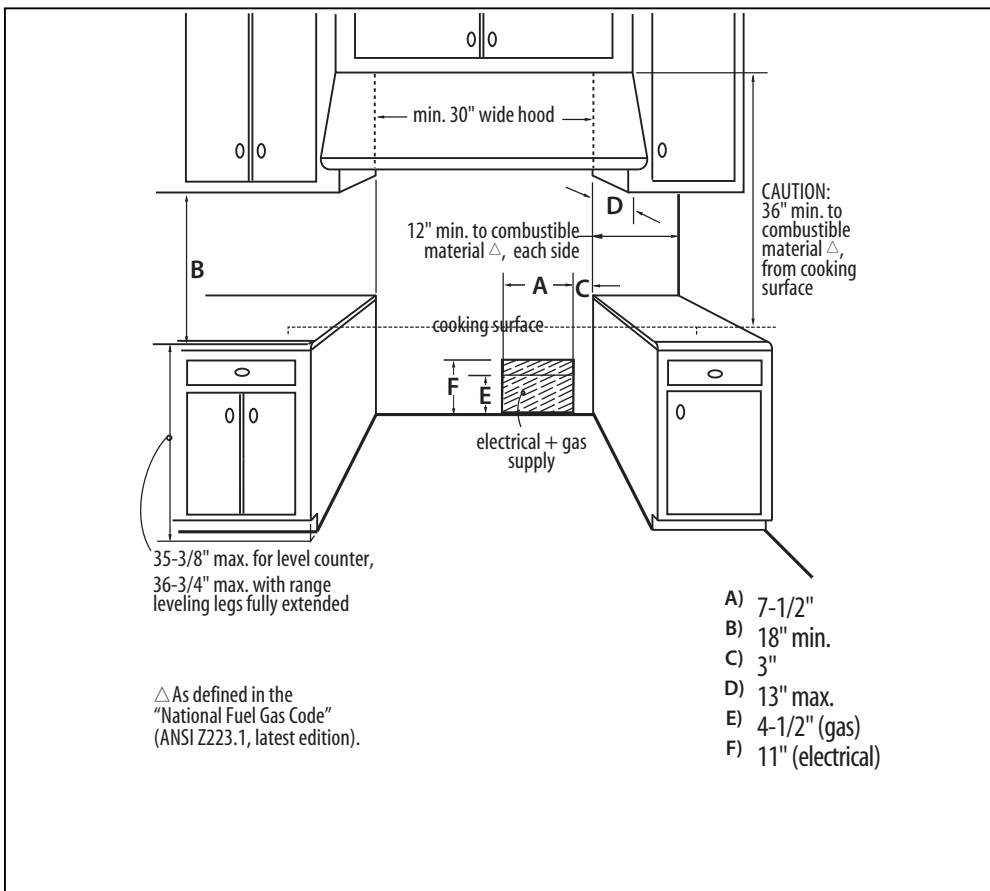


Fig. 13

CABINET PREPARATION

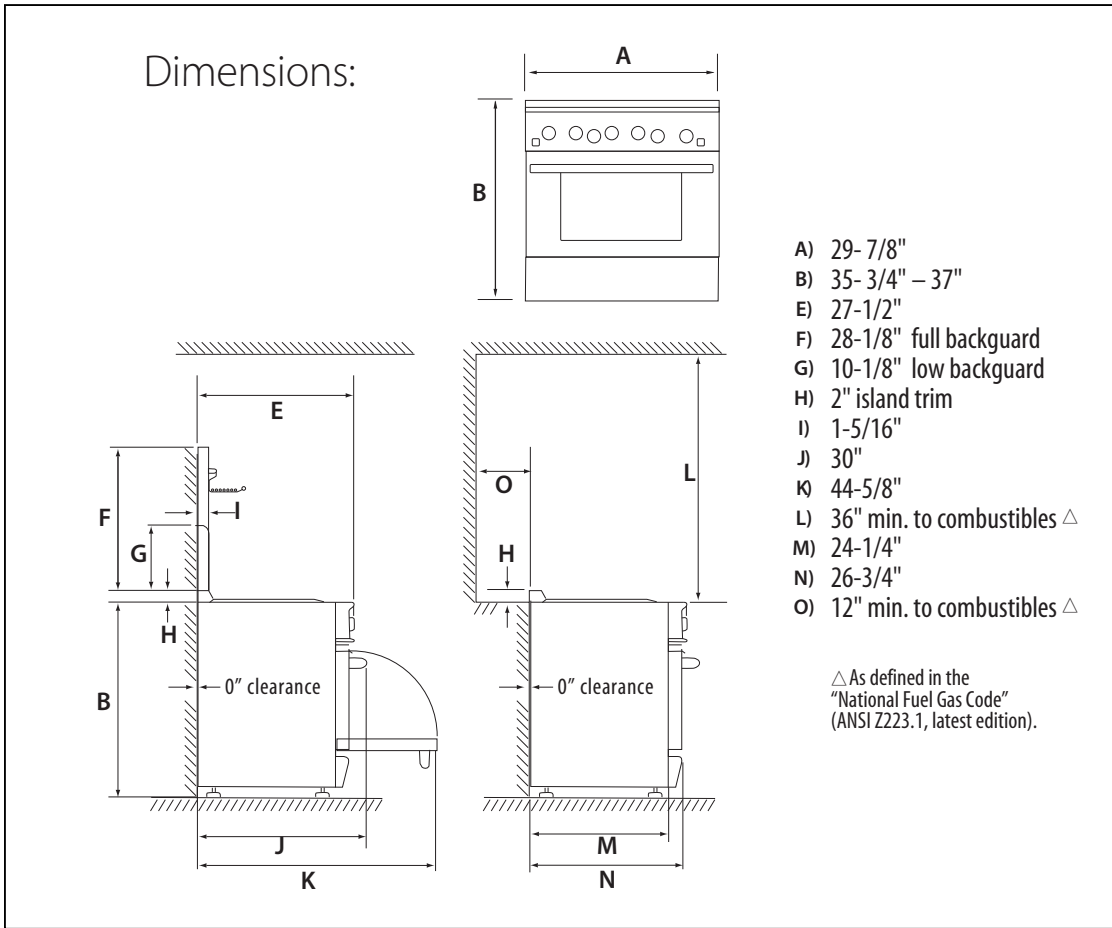


Fig. 14

BACKGUARD INSTALLATION

The backguard is located as shown in Fig. 15. Secure the backguard to the wall behind the range. Specific instructions for installation of the full backguard or low backguard can be found packaged with the backguard. See also page 8, "Planning The Installation" section. A backguard must be installed when there is less than a 12" clearance between combustibles and the back of the range (above the cooking surface). See Fig. 14. DCS backguards are sold separately.

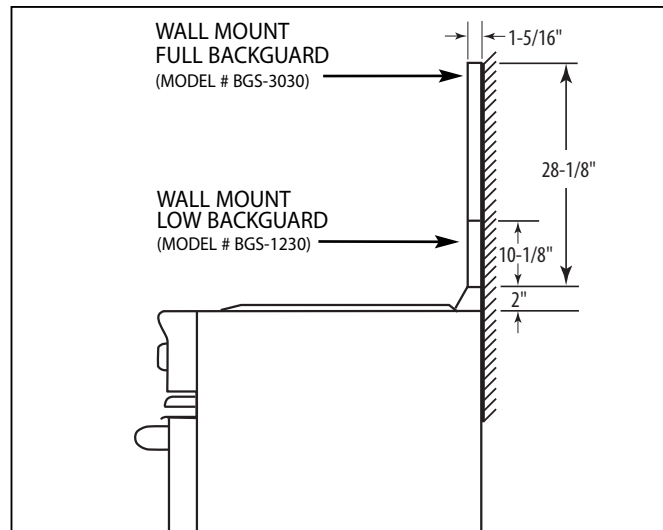


Fig. 15

ELECTRICAL CONNECTIONS

ELECTRICAL CONNECTIONS

Power Requirements Range:

120 VAC, 60 Hz., single phase. 4 Amp Max. (Use 15 Amp Circuit)

Always disconnect electric supply cord from the wall outlet or service disconnect before servicing this appliance. Observe all governing codes and ordinances when grounding, in absence of which, observe National Electrical Code ANSI / NFPA No. 70-1990.

RECOMMENDED GROUNDING METHOD

This appliance is factory equipped with a power supply cord with a three-prong grounding plug (with polarized parallel blades). It must be plugged into a mating grounding, type receptacle, connected to a correctly polarized 120 volt circuit. If the circuit does not have a grounding type receptacle, it is the responsibility and obligation of the installer to have the existing receptacle changed to a properly grounded and polarized receptacle in accordance with all applicable local codes and ordinances by a qualified electrician. In the absence of local codes and ordinances, the receptacle replacement shall be in accordance with the National Electrical Code.

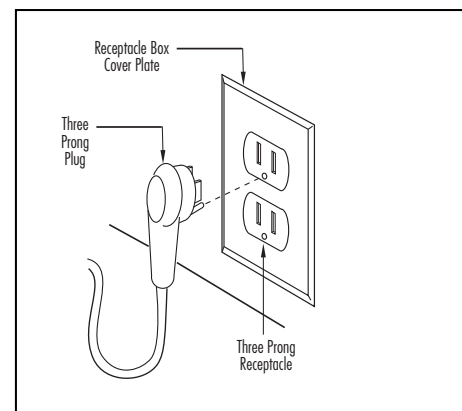


Fig. 16

Note:

The third prong should not, under ANY circumstances, be cut or removed.

GAS HOOK-UP

GAS REQUIREMENTS

Verify the type of gas supplied to the location. The range is shipped from the factory set up and adjusted for natural gas or LP (propane), depending on specific model ordered. **Verify that the range is compatible with the gas supply at the installation site before proceeding further.** Return the range to the dealer if the unit is not set for the gas supplied at the site.

NATURAL GAS

■ Connection: 1/2" NPT Minimum 5/8" dia. flex line.

■ Supply Pressure: 6" to 9" W.C.

LP GAS

■ Connection: 1/2" NPT Minimum 5/8" dia. flex line.

■ Supply Pressure: 11" to 14" W.C.

A regulator is required at the LP source to provide a maximum of 14" W.C. to the range regulator.

HOOK-UP TO GAS SUPPLY

A manual valve must be installed external to the appliance, in an accessible location from the front for the purpose of shutting off the gas supply. The supply line must not protrude beyond the back of the unit. Make sure the gas supply is turned off at the wall valve before connecting the appliance.

The gas supply connections must be made by a qualified technician and in accordance with local codes or ordinances. In the absence of a local code, the installation must conform to the latest edition of the National Fuel Gas Code ANSI 223.1.

CAUTION:

The appliance and its individual shut-off valve must be disconnected from the building's gas supply piping system during any pressure testing of the system at the test pressures in excess of 1/2 psig (3.5kPa.). When checking the manifold gas pressure, the inlet pressure to the regulator should be at least 7.0" W.C. for natural gas or 12.0" for LP.

NOTE:

The flex line for the gas supply must be metal and be approved by an approved certifying agency (CSA or UL). Never use a hose made of rubber or other synthetic material, as the heat may cause the hose to melt and develop leaks.

When hooking up the gas supply from range rear hard pipe to wall hard pipe, installation length of flex line between range/wall hard piping must accommodate range being pulled from wall for cleaning or servicing purposes. When range is pulled from wall, no strain should occur at range or wall hard pipe connections (Fig. 17).

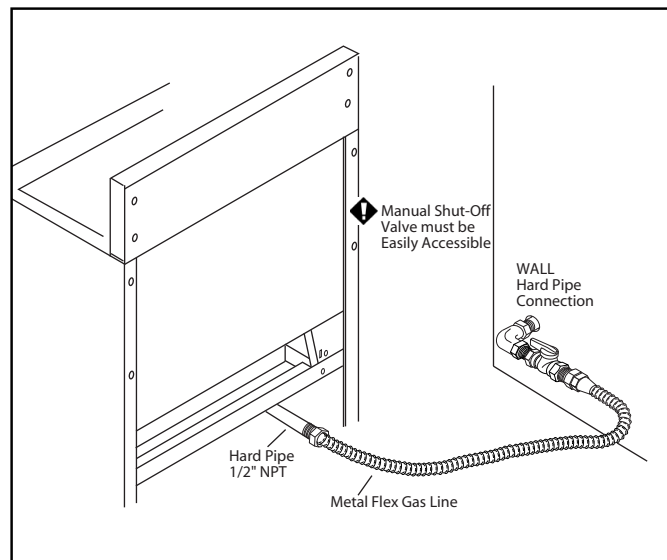


Fig. 17

TEST AND ADJUSTMENTS

WARNING :

For warranty coverage, DCS requires that burner adjustments be made by a qualified technician at the time of installation. Extreme care should be used when adjustments are made after installation. **IMPROPER OR LACK OF ADJUSTMENT WILL VOID YOUR WARRANTY.**

COOKTOP BURNERS

The cooktop burners are not adjustable. Proper operation is achieved when the correct orifices for gas supply are installed at the factory, based on model ordered.

When installing the burner port ring, be sure that the two locating pins in the bottom side of the brass port ring are properly aligned with the locating notch and center holes on the top side of the simmer ring. Incorrect alignment will produce a potentially dangerous flame and poor burner performance.

Note:

No air shutter adjustment is possible on the cooktop burners. Burner flames should be blue and stable with no yellow-tipping (some yellow-tipping is normal with LP gas), excessive noise, or lifting of flame from the burner (Fig. 18).

COOKTOP BURNER LIGHTING NOTE:

The sealed cooktop burners have an infinite number of heat settings and there are no fixed positions on the control knobs between HI and LO. To turn the sealed cooktop burner on, push in on the control knob and turn it counterclockwise to the "LITE" position. An audible clicking sound will be heard. When the gas has been ignited by the electronic spark igniter, turn the knob to the desired setting (Fig. 19).

Note:

The igniter will continue to click until a flame is present. If the cooktop burner does not ignite, check the spark igniter by listening for a clicking sound. If you do not hear the igniter click, turn off the burner. Check for a tripped circuit breaker, blown fuse, or poor wire connection to the igniter.

WARNING:

When turning on any sealed cooktop burner, be sure to stop at the "LITE" position before turning the burner to a flame setting for cooking. If the burner is not lit and it is turned beyond the "LITE" position, to HI, MEDIUM, or LO, there will be a burst of flame when the burner does light. This could cause burns or damage to the surrounding countertop.

INFRARED BROIL AND OVEN BURNERS

CAUTION:

The oven infrared broiler burner has no air shutter and is not adjustable. The oven bake burner has an air shutter and is adjustable. It is necessary to operate the oven broiler for 20-30 minutes to eliminate the harsh odor of the insulation binder (see page 8 of the Use and Care Manual). This must be done before using the range for the first time and with proper ventilation.

Check for the proper burner flame characteristics. Burner flames should be blue and stable with no yellow tips, excessive noise or lifting of the flame from the burner. If any of these conditions exist, check that the air shutter (oven burner only)(Fig. 20) or burner ports are not blocked. If this condition persists, contact a qualified technician.

The oven burner flames should be 1-1/2" to 2" (Fig. 21). The infrared broil burner flames should be approximately 1/8" high over the entire burner screen (Fig. 22).

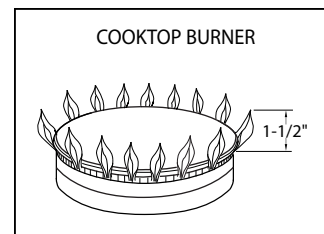


FIG. 18

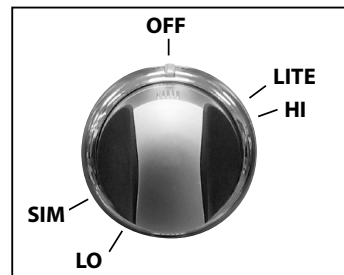


FIG. 19

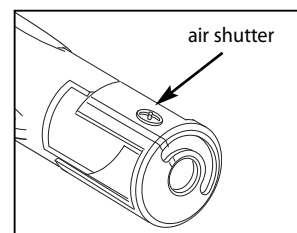


Fig. 20

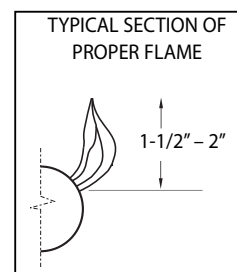


Fig. 21

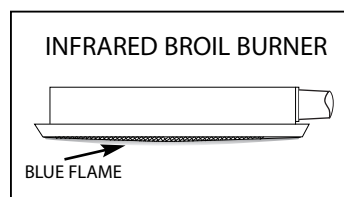


FIG. 22

CLEANING EXTERIOR SURFACES

The stainless steel surfaces may be cleaned by wiping with a damp soapy cloth or sponge. Any liquid soap (like Dawn or Stainless Steel Magic) will remove fingerprints and smears. Do not use steel wool as it will scratch this surface.

INSTALLER FINAL CHECKLIST

GENERAL

- Placement of unit.
- Specified clearance maintained to cabinet surfaces.
- Unit Level - front to back, side to side.
- All packaging material and tie straps removed, drip pans clean and empty.
- Backguard attached if there is less than 12" clearance above the cooking surface to combustibles behind unit.

ELECTRICAL

- Receptacle with 15 ampere over-current protection is provided for service cord connection.
- Adequate ground connection.
- Front kick panel in place and two (2) screws secure.

GAS SUPPLY

- Connection: 1/2 NPT with a minimum 5/8" diameter flex line.
- Site gas supply is compatible with range model. The pressure regulator which is connected to the manifold is set for 5.0" W.C. for natural gas or 10.0" W.C. for LP.
- Manual gas shut-off valve installed in an accessible location.
- Unit tested and free of gas leaks.

OPERATION

- All internal packing materials removed. Check below grate and inside oven.
- Bezels centered on burner knobs and knobs turn freely.
- Each burner lights satisfactorily, both individually and with other burners operating at the same time.
- Check flame characteristics on all burners and adjust as specified per instructions on page 17.
- Oven door hinges seated and door opens and closes properly.
- Burner grates correctly positioned, level, and do not rock.

HOW TO OBTAIN SERVICE

For warranty service, please contact DCS Customer Care Representative at (888) 936-7872. Before you call, please have the following information ready:

- Model Number (located on rating plate on the back panel and also on the front frame, right lower corner between the kick panel and the oven door).
- Serial Number (located on rating plate on the back panel and also on the front frame, right lower corner between the kick panel and the oven door).
- Date of installation
- A brief description of the problem

Your satisfaction is of the utmost importance to us. If a problem cannot be resolved to your satisfaction, please write to Customer Care or email: customer.care@fisherpaykel.com

Write:

Fisher & Paykel Appliances, Inc.
Attention: DCS Customer Care
5900 Skylab Road
Huntington Beach, CA 92647

BEFORE YOU CALL FOR SERVICE:

1. Is the circuit breaker tripped or the fuse blown?
2. Is there a power outage in the area?

WARRANTY

LIMITED WARRANTY

When you purchase a new DCS Range, you automatically receive a One Year Limited Warranty covering parts and labor for the entire product, a Five Year Limited Warranty on surface burners and oven burners (parts only), and a Two Year Limited Warranty on the porcelain oven liner and porcelain inner door panel (parts only) for servicing within the 48 mainland United States, Hawaii, Washington D.C. and Canada. In Alaska the Limited Warranty is the same except that you must pay to ship the Product to the service shop or the service technician's travel to your home. Products for use in Canada must be purchased through the Canadian distribution channel to ensure regulatory compliance.

FISHER & PAYKEL UNDERTAKES TO:

Repair without cost to the owner either for material or labor any part of the Product, the serial number of which appears on the Product, which is found to be defective. In Alaska, you must pay to ship the Product to the service shop or for the service technician's travel to your home.

If we are unable to repair a defective part of the Product after a reasonable number of attempts, at our option we may replace the part or the Product, or we may provide you a full refund of the purchase price of the Product (not including installation or other charges).

This warranty extends to the original purchaser and any succeeding owner of the Product for products purchased for ordinary single-family home use. All service under this Limited Warranty shall be provided by Fisher & Paykel Appliances Inc. or its Authorized DCS Service Agent during normal business hours.

HOW LONG DOES THIS LIMITED WARRANTY LAST?

Our liability under this Limited Warranty for the entire product expires One Year from the date of purchase of the Product by the first consumer. Our liability under this Limited Warranty for surface burners and oven burners (parts only) expires Five Years from the date of the purchase of the Product by the first customer. Our liability under this Limited Warranty for the porcelain oven liner and porcelain inner door panel (parts only) expires Two Years from the date of the purchase of the Product by the first customer.

Our liability under any implied warranties, including the implied warranty of merchantability (an unwritten warranty that the Product is fit for ordinary use) also expires One Year (or such longer period as required by applicable law) from the date of purchase of the Product by the first consumer. Some states do not allow limitations on how long an implied warranty lasts, so this limit on implied warranties may not apply to you.

THIS WARRANTY DOES NOT COVER:

- A. Service calls that are not related to any defect in the Product. The cost of a service call will be charged if the problem is not found to be a defect of the Product. For example:
1. Correct faulty installation of the Product.
 2. Instruct you how to use the Product.
 3. Replace house fuses, reset circuit breakers, correct house wiring or plumbing, or replace light bulbs.
 4. Correct fault(s) caused by the user.
 5. Change the set-up of the Product.
 6. Unauthorized modifications of the Product.
 7. Noise or vibration that is considered normal, for example, drain/fan sounds, regeneration noises or user warning beeps.
 8. Correcting damage caused by pests, for example, rats, cockroaches etc.

WARRANTY

- B. Defects caused by factors other than:
 - 1. Normal domestic use or
 - 2. Use in accordance with the Product's Use and Care Guide.
- C. Defects to the Product caused by accident, neglect, misuse, fire, flood or Act of God.
- D. The cost of repairs carried out by non-authorized repairers or the cost of correcting such unauthorized repairs.
- E. Travel Fees and associated charges incurred when the product is installed in a location with limited or restricted access. (i.e. airplane flights, ferry charges, isolated geographic areas).
- F. Normal recommended maintenance as set forth in the Product's Use and Care Guide.

If you have an installation problem contact your dealer or installer. You are responsible for providing adequate electrical, exhausting and other connection facilities.

We are not responsible for consequential or incidental damages (the cost of repairing or replacing other property damaged if the Product is defective or any of your expenses caused if the Product is defective). Some states do not allow the exclusion or limitation of incidental or consequential damages, so the above limitation or exclusion may not apply to you.

HOW TO GET SERVICE

Please read your Use and Care Guide. If you then have any questions about operating the Product, need the name of your local DCS Authorized Service Agent, or believe the Product is defective and wish service under this Limited Warranty, please contact your dealer or call us at:

TOLL FREE 1-888-936-7872 or contact us through our web site: www.dcsappliances.com

You may be required to provide reasonable proof of the date of purchase of the Product before the Product will be serviced under this Limited Warranty.

COMMERCIAL USE

This warranty applies to appliances used in residential applications; it does not cover their use in commercial situations.

NO OTHER WARRANTIES

This Limited Warranty is the complete and exclusive agreement between you and Fisher & Paykel Appliances Inc. regarding any defect in the Product. None of our employees (or our Authorized Service Agents) are authorized to make any addition or modification to this Limited Warranty.

Warrantor: Fisher & Paykel Appliances, Inc.

If you need further help concerning this Limited Warranty, please call us at the above number, or write to:

Fisher & Paykel Appliances, Inc.
5900 Skylab Road, Huntington Beach, CA 92647

This Limited Warranty gives you specific legal rights, and you may also have other rights which vary from state to state.

Fisher & Paykel Appliances Inc. is a leading manufacturer of premium quality cooking and specialty appliances under the Fisher & Paykel and DCS brands.

NOTES



LA CUISINIÈRE À GAZ AUTONETTOYANTE À CINQ BRÛLEURS PROFESSIONNELLE DE 30 POUCES

Guide d'installation



MODÈLES :
RGTC-305



À L'INTENTION DE NOS CLIENTS

Nous vous remercions d'avoir choisi cette cuisinière à gaz autonettoyante professionnelle DCS de 30 po. Nous avons conçu ce Manuel d'installation pour expliquer ses fonctions uniques. Il contient des informations extrêmement utiles sur la façon d'installer correctement votre nouvel appareil. Vous pourrez ainsi en profiter pendant des années en toute sécurité.

Si vous avez des questions au sujet de notre produit, communiquez avec un représentant du centre de service à la clientèle DCS par téléphone : 1-888-936-7872, ou par courriel : customer.care@fisherpaykel.com.

REMARQUE : Veuillez noter les numéros de modèle et de série sur cette page pour information (situé sur la plaque signalétique, sur le panneau arrière et également sur le cadre avant, coin inférieur droit entre le panneau de seuil de porte et la porte du four).

NUMÉRO DE MODÈLE _____ NUMÉRO DE SÉRIE _____

REMARQUE : Inspecter le produit pour vérifier qu'il n'a pas été endommagé pendant l'expédition. En cas de dommages, contacter le transporteur et entamer une déclaration pour dommage. DCS by Fisher & Paykel n'est en aucun cas responsable des dommages pendant l'expédition.

Ne pas jeter le matériau d'emballage (boîte, palette, sangles) avant d'avoir inspecté l'unité.



AVERTISSEMENT!

Toute installation, ajustement, altération ou entretien incorrect peut causer des dommages matériels, des blessures ou la mort. Veuillez lire soigneusement ces instructions d'installation, d'utilisation et d'entretien avant d'installer, utiliser ou effectuer l'entretien de cet appareil.



AVERTISSEMENT!

Si les informations de ce manuel ne sont pas suivies à la lettre, un incendie ou une explosion peuvent se produire et causer des dommages matériels, des blessures ou la mort.

Évitez de stocker ou d'utiliser de l'essence ou tout autre liquide et vapeur inflammable à proximité de cet appareil électroménager ou de tout autre.



DANGER

Si vous sentez une odeur de gaz :

1. N'essayez pas d'allumer aucun appareil électroménager.
2. Ne touchez aucun interrupteur électrique; n'utilisez aucun téléphone dans l'édifice.
3. Appelez immédiatement votre fournisseur de gaz de chez un voisin. Suivez les instructions du fournisseur de gaz.
4. Si vous n'arrivez pas à joindre votre fournisseur de gaz, appelez les pompiers.
5. Toute installation ou service doit être confié à un installateur qualifié, un organisme de service ou le fournisseur de gaz.



AVERTISSEMENT!

Pour réduire les risques de blessures en cas de feu de graisse sur la table de cuisson, respectez les consignes suivantes : Éteignez d'abord le brûleur. Éteignez les flammes à l'aide d'un couvercle hermétique, d'une plaque à biscuits d'un plateau métallique, de bicarbonate de soude ou à l'aide d'un extincteur à poudre ou à mousse. Attention à ne pas vous brûler. Si les flammes ne s'éteignent pas immédiatement, évacuez les lieux et appelez les pompiers. Ne prenez jamais en main une poêle ou une casserole qui a pris feu; vous pourriez vous brûler. **N'UTILISEZ PAS D'EAU SUR UN FEU DE GRAISSE, y compris des serviettes mouillées; une explosion de vapeur violente pourrait en résulter. Utilisez un extincteur SEULEMENT si :**

1. Vous êtes sûr qu'il s'agit d'un extincteur de classe ABC et savez comment le faire fonctionner.
2. L'incendie est limité et se limite à l'endroit où il s'est déclenché.
3. Vous êtes en train d'avertir les pompiers.
4. Vous pouvez combattre l'incendie le dos tourné vers une sortie.

VEUILLEZ CONSERVER CE MANUEL À TITRE DE RÉFÉRENCE.

TABLE DES MATIÈRES

INTRODUCTION	3
MESURES DE SÉCURITÉ ET DE PRÉCAUTION	4-6
PLANIFICATION DE L'INSTALLATION	7-8
DÉBALLAGE ET MANIPULATION	8-10
EXIGENCES EN MATIÈRE DE VENTILATION	11
INSTALLATION DU DISPOSITIF ANTIBASCULEMENT	12
PRÉPARATION DES ARMOIRES	13-14
INSTALLATION DU DOSSERET	15
RACCORDEMENTS ÉLECTRIQUES	15
BRANCHEMENT DU GAZ	16
ESSAI ET RÉGLAGES	17
NETTOYAGE DES SURFACES EXTÉRIEURES	18
LISTE DE CONTRÔLE FINALE DE L'INSTALLATEUR	18
POUR L'OBTENTION DE SERVICE	19
GARANTIE	20-21

INTRODUCTION

Les brûleurs à double débit (Dual Flow Burners^{MC}) brevetés de la cuisinière RGTC DCS permettent des températures de mijotage constamment plus basses et dégagent une puissance de 17 500 BTUH, incluant deux brûleurs de 12 500 BTUH. Le four à convection à gaz à grande capacité de la cuisinière RGTC est équipée d'un gril infrarouge à gaz dans le four.

INFORMATIONS IMPORTANTES CONCERNANT L'INSTALLATION

Les cuisinières de série RGTC ont été testées conformément à la norme ANSI Z21.1 pour les appareils électroménagers domestiques de cuisson à gaz. Ces cuisinières doivent être installées avec une hotte de ventilation suspendue (voir les exigences en matière de ventilation). Étant donnée la puissance de feu professionnelle élevée de cet appareil, faites particulièrement attention à l'installation de la hotte et de ses conduites de manière à respecter les codes du bâtiment en vigueur. Afin d'éliminer les risques de brûlures ou d'incendie qui peuvent se produire lorsqu'on s'étire au-dessus d'appareils aux surfaces chauffantes, évitez de placer des armoires de cuisine au-dessus de l'appareil.

Consultez les codes du bâtiment en vigueur concernant la méthode à suivre pour installer la cuisinière. Les codes peuvent varier d'une région à l'autre. L'installation, les connexions électriques et la mise à la terre doivent être conformes à tous les codes en vigueur. En l'absence de tels codes, l'appareil doit être installé conformément à la norme ANSI Z223.1 du National Fuel Gas Code et la norme 70-1990 ANSI/NFPA du National Electrical Code (Code national de l'électricité). Assurez-vous que l'appareil installé est réglé selon le type de gaz utilisé. Les cuisinières à gaz sont réglées en usine pour fonctionner au gaz naturel ou propane selon le modèle spécifique commandé. **Avant d'aller plus loin, vérifiez que la cuisinière est compatible avec le gaz du site où elle doit être installée.** Retournez la cuisinière au distributeur si l'appareil n'est pas réglé pour le type de gaz du site.

MESURES DE SÉCURITÉ ET DE PRÉCAUTION

Votre nouvel appareil DCS fonctionnera de manière sûre et fiable pendant des années si vous en prenez bien soin. Faites extrêmement attention quand vous utilisez cet appareil de niveau professionnel, car il dégage une chaleur intense et peut augmenter les risques d'accidents. Vous devez respecter des consignes de sécurité élémentaires durant l'utilisation d'appareils de cuisine, dont celles-ci :

- Veuillez lire attentivement ce manuel d'utilisation et d'entretien avant d'utiliser votre nouvel appareil. Ceci vous permettra de réduire les risques d'incendie, de choc électrique ou de blessures.
- Commencez par vous assurer que l'installation et l'entretien sont effectués correctement. Suivez les instructions d'installation fournies avec cet appareil. Avant d'utiliser l'appareil, confiez son installation et sa mise à la terre à un technicien qualifié.
- Demandez-lui de vous montrer l'emplacement du robinet d'arrêt de l'alimentation de gaz afin de savoir comment couper l'arrivée de gaz.
- Si vous sentez une odeur de gaz, cela signifie que l'installateur n'a pas vérifié correctement s'il y avait des fuites. Si les connexions ne sont pas complètement étanches, une petite fuite pourrait se produire et laisser s'échapper une faible odeur de gaz. La détection des fuites n'est pas une procédure à faire soi-même. Certaines fuites ne peuvent être détectées que si la commande du brûleur est sur ON. Dans l'intérêt de votre sécurité, confiez cette procédure à un technicien qualifié.
- Si jamais un brûleur s'éteint et laisse s'échapper du gaz, ouvrez la fenêtre ou la porte pour évacuer l'air. N'essayez pas d'utiliser l'appareil avant que le gaz ne se soit complètement dissipé. Suivez les instructions de la page 1, « Pour votre sécurité - Si vous sentez une odeur de gaz ».
- Cet appareil électroménager a été monté en usine pour être utilisé avec du gaz naturel ou propane. Il doit être réglé correctement en usine selon le type de gaz utilisé.
- Ne réparez pas ni ne remplacez aucune pièce de cet appareil, sauf indication contraire du manuel. Tout autre travail d'entretien doit être confié à un technicien qualifié.
- Les enfants ne doivent pas être laissés seuls ou sans surveillance dans un endroit où l'on utilise des appareils électroménagers. Il ne faut jamais les laisser tourner ou enfoncer des boutons, ni s'asseoir ou se tenir debout sur ces appareils ou les toucher lorsqu'ils sont en marche.
- Des enfants en marchette ou à quatre pattes peuvent être attirés par la poignée ronde de la porte et la saisir pour ouvrir la porte du four. Ils pourraient alors se blesser si la porte est ouverte ou se brûler sérieusement si le four fonctionne et qu'il est chaud.




AVERTISSEMENT!

Évitez de ranger sur les appareils ou à l'arrière des articles pouvant attirer les enfants. Les enfants peuvent être blessés sérieusement s'ils grimpent sur l'appareil pour atteindre ces articles.

- Ne rangez jamais rien dans le four ni sur la table de cuisson. Des matériaux inflammables pourraient prendre feu, des éléments en plastique pourraient fondre ou s'enflammer et d'autres types d'objets pourraient être détruits.
- Ne suspendez aucun article sur l'appareil et ne placez aucun objet contre le four. Certains matériaux sont très inflammables et pourraient prendre feu.
- Si l'appareil se trouve près d'une fenêtre, assurez-vous que les rideaux sont suffisamment éloignés des brûleurs de la table de cuisson; ils pourraient prendre feu sinon.
- Ne versez pas d'eau sur les feux de graisse. ÉTEIGNEZ tous les brûleurs, puis étouffez le feu avec du bicarbonate de soude ou à l'aide d'un extincteur à poudre ou à mousse.
- Ne laissez jamais des vêtements, gants ou autres matériaux inflammables en contact ou à proximité d'un brûleur ou d'une grille de brûleur tant que ces derniers n'ont pas refroidi. Les tissus peuvent s'enflammer et causer des blessures.
- Utilisez seulement des gants isolants secs : les gants humides sur des surfaces chaudes peuvent provoquer des brûlures causées par la vapeur. N'utilisez pas de serviette ou de linge épais à la place de gants isolants. Ne laissez pas les gants isolants toucher les brûleurs ou leurs grilles.
- Pour assurer votre propre sécurité, habillez-vous de façon appropriée. Ne portez jamais de vêtements ou de manches lâches lorsque vous utilisez l'appareil. Certains tissus synthétiques sont extrêmement inflammables et ne doivent pas être portés pendant la cuisson.
- Ne recouvrez aucune partie du four ou de la table de cuisson avec du papier aluminium. Ceci a pour effet d'emprisonner la chaleur en dessous. C'est un isolant thermique qui peut emprisonner la chaleur, laquelle peut alors affecter la performance de la table de cuisson et endommager la finition du four ou des pièces de la table de cuisson.

MESURES DE SÉCURITÉ ET DE PRÉCAUTION

- Cet appareil électroménager est destiné à la cuisson. N'utilisez jamais le four ou la table de cuisson pour réchauffer ou chauffer une pièce. Une telle utilisation peut endommager les pièces de la table de cuisson ou du four.

 **AVERTISSEMENT!** Ne recouvrez **JAMAIS** les fentes, trous ou passages situés au bas du four et évitez de recouvrir entièrement une grille avec des matériaux tel que le papier d'aluminium. Cela a pour effet de bloquer la circulation d'air à l'intérieur du four et peut causer un empoisonnement à l'oxyde de carbone. Le papier d'aluminium peut également emprisonner la chaleur et causer ainsi un risque d'incendi.

- Durant l'utilisation de la table de cuisson : ne touchez pas les grilles des brûleurs ou les surfaces adjacentes. Ces surfaces peuvent devenir suffisamment chaudes pour provoquer des brûlures.

 **AVERTISSEMENT!** N'utilisez **JAMAIS** cet appareil comme appareil de chauffage pour chauffer la pièce. Cela pourrait entraîner un empoisonnement à l'oxyde de carbone et une surchauffe du four.

- Durant l'utilisation du four, évitez de toucher les surfaces intérieures du four, la surface extérieure autour de la porte et la garniture arrière. Les surfaces situées directement au-dessus de la porte du four peuvent être chaudes si le four a fonctionné avec la porte ouverte ou si quelque chose a empêché la porte de se fermer.
- Ne laissez jamais la table de cuisson sans surveillance lorsque vous cuisinez à flamme haute. Un débordement par bouillonnement pourrait produire de la fumée et un déversement graisseux qui pourrait prendre feu. Et, ce qui est plus grave, si les flammes des brûleurs sont étouffées par un débordement important affectant l'allumeur, le gaz non brûlé s'échappera dans la pièce.
- Seuls certains types d'ustensiles en verre, vitrocéramique calorifugée, céramique, poterie ou émaillés sont appropriés pour être utilisés sur la table de cuisson. Ce genre d'ustensile peut se briser à la suite de changements de température soudains. Utilisez-les seulement à feu doux ou moyen selon les instructions du fabricant. Il est recommandé d'utiliser des ustensiles de cuisine professionnels.
- Ne chauffez pas de contenant de nourriture fermé car la pression pourrait s'accumuler et le faire exploser.
- Durant la cuisson, réglez la commande du brûleur de sorte que la flamme ne chauffe que le fond du récipient et ne le dépasse jamais. Cela pourrait sinon chauffer ou faire fondre les poignées.
- Servez-vous toujours d'ustensiles à fond plat suffisamment larges pour couvrir les brûleurs. L'utilisation d'ustensiles trop petits risque d'offrir un contact direct à la flamme et de mettre le feu aux vêtements.
- Afin de réduire le risque de brûlures, d'allumage de matériaux inflammables et de déversement involontaire, tournez les poignées des ustensiles vers l'intérieur afin qu'elles ne surplombent pas les surfaces de travail adjacentes, les zones de cuisson et le bord extérieur de la table de cuisson.
- Tenez la poignée du récipient afin d'empêcher tout mouvement de l'ustensile lorsque vous retournez ou remuez la nourriture.
- La graisse est inflammable. Laissez toute graisse chaude refroidir avant d'essayer de la manipuler. Évitez de laisser la graisse s'accumuler autour des brûleurs de la table de cuisson. Nettoyez après chaque utilisation ou déversement.
- Pour assurer un bon allumage et une bonne performance des brûleurs de la table de cuisson, gardez leurs ports dans un état propre. Il peut s'avérer nécessaire de nettoyer ceux-ci en cas de débordement ou lorsque le brûleur ne s'allume pas, même si les allumeurs électroniques cliquent
- Nettoyez la table de cuisson avec précaution. Évitez de vous brûler à la vapeur : n'utilisez pas d'éponge ou de linge mouillé pour nettoyer l'appareil alors qu'il est encore chaud. Certains produits de nettoyage dégagent des vapeurs nocives au contact d'une surface chaude. Respectez le mode d'emploi du fabricant du produit de nettoyage.
- Assurez-vous que les boutons de la cuisinière ou de la table de cuisson sont fermés et que l'appareil est froid avant d'utiliser des nettoyants aérosol sur l'appareil ou à proximité. L'élément chimique qui produit le jet de vaporisation peut, en présence de chaleur, s'enflammer ou provoquer la corrosion des parties métalliques.
- Placez les grilles de four à la position voulue quand le four est froid. Si vous devez déplacer une grille alors que le four est encore chaud, ne laissez pas les gants isolants toucher l'intérieur chaud du four.
- Faites attention lorsque vous ouvrez la porte du four; laissez s'échapper l'air chaud ou la vapeur avant de retirer ou remplacer les aliments.

MESURES DE SÉCURITÉ ET DE PRÉCAUTION

- Évitez de frotter, endommager, déplacer ou enlever le joint de la porte, car il est essentiel à l'obtention d'une bonne cuisson. Lavez le joint avec de l'eau chaude seulement.
- Nettoyez fréquemment la hotte et les filtres de ventilation surplombant la cuisinière ou table de cuisson afin d'empêcher toute accumulation de graisse provenant des vapeurs de cuisson. Le filtre peut être nettoyé dans un lave-vaisselle ou un Dishdrawer. Respectez le mode d'emploi du fabricant du produit de ventilation en ce qui a trait au nettoyage.
- ÉTEIGNEZ le ventilateur en cas d'incendie ou si vous flambez intentionnellement des liqueurs ou des spiritueux sur la table de cuisson. Si le ventilateur est en marche, il pourrait en effet répandre les flammes.
- ÉVITEZ de bloquer la circulation de l'air de combustion ou de ventilation. Assurez toujours un apport d'air frais.
- Pour des raisons de sécurité et pour ne pas endommager l'appareil, évitez de vous asseoir, de vous tenir debout ou de vous appuyer contre la porte du four ou la surface de cuisson.
- Les réparations doivent être effectuées par des techniciens agréés uniquement. Ceux-ci doivent débrancher le bloc d'alimentation avant de travailler sur l'appareil.



AVERTISSEMENT!

Proposition 65 de la Californie - L'incinération de gaz de cuisson génère des sous-produits considérés par l'État de Californie comme pouvant causer le cancer ou des malformations congénitales. Les lois de Californie exigent que les entreprises avertissent leurs clients qu'ils risquent d'être exposés à de telles substances. Pour minimiser l'exposition à ces substances, faites toujours fonctionner l'appareil conformément aux instructions contenues dans ce manuel et assurez une bonne ventilation lorsque vous cuisinez au gaz.

RECOMMANDATIONS CONCERNANT LE BRANCHEMENT DU GAZ :

Un robinet manuel doit être installé à l'extérieur de l'appareil, sur le devant, dans un endroit accessible, afin de permettre de couper le gaz. La conduite d'alimentation ne doit pas dépasser l'arrière de l'appareil. Avant de brancher l'appareil, prenez soin de couper le gaz par le robinet mural.

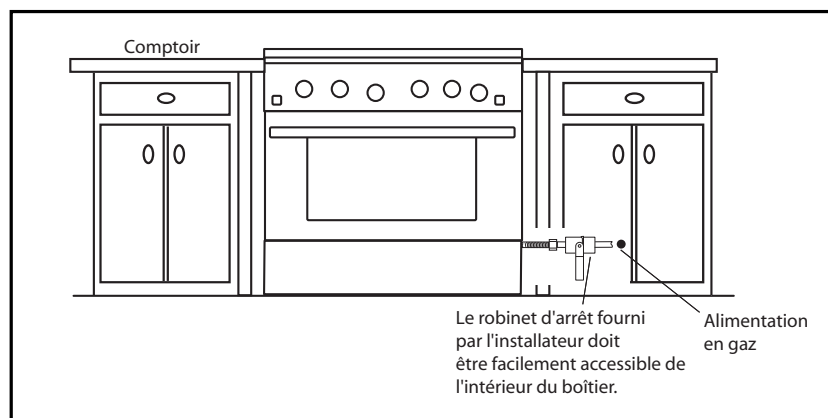
Toutes les connexions d'alimentation en gaz doivent être effectuées par un technicien qualifié conformément aux codes et règlements en vigueur. En l'absence d'une réglementation locale, l'installation doit être conforme à la dernière édition du National Fuel Gas Code ANSI Z223.1.

REMARQUE :

Ce produit doit être installé par un plombier ou ajusteur d'appareils à gaz agréé si l'installation a lieu au sein du Commonwealth du Massachusetts.

REMARQUE : (obligatoire dans l'état du Massachusetts)

Une méthode alternative d'alimentation en gaz doit être installée dans l'appareil.



PLANIFICATION DE L'INSTALLATION

INFORMATIONS IMPORTANTES CONCERNANT L'INSTALLATION

Le modèle RGTC-305 a été testé conformément à la norme ANSI Z21.1 pour les appareils électroménagers domestiques de cuisson à gaz.

La cuisinière doit être installée avec une hotte de ventilation suspendue appropriée. (Voir les exigences en matière de ventilation, page 12.) Étant donnée la puissance de feu professionnelle élevée de cet appareil, faites particulièrement attention à l'installation de la hotte et de ses conduites de manière à respecter les codes du bâtiment en vigueur. Afin d'éliminer les risques de brûlures ou d'incendie qui peuvent se produire lorsqu'on s'étire au-dessus d'appareils aux surfaces chauffantes, évitez de placer des armoires de cuisine au-dessus de l'appareil.

Vous devez installer l'un des deux dossierets muraux disponibles si le dégagement entre les matériaux combustibles et le bord arrière de la cuisinière (au-dessus de la surface de cuisson) est inférieur à 30,5 cm/12 po (voir page 15).

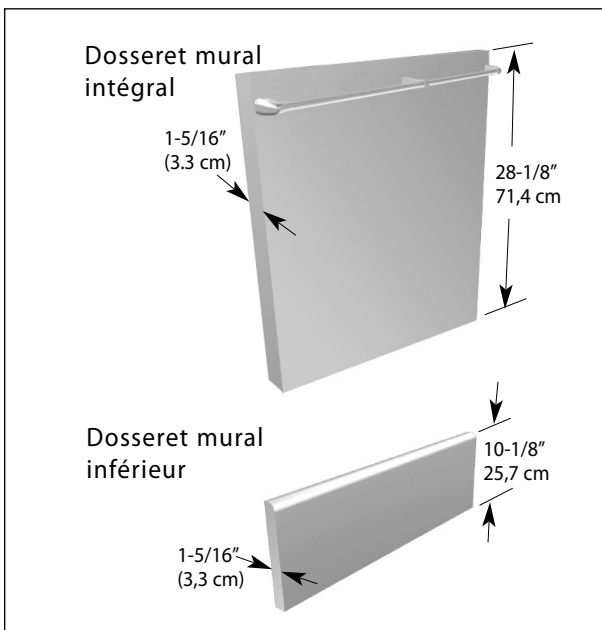


Fig. 01

Consultez les codes du bâtiment en vigueur concernant la méthode à suivre pour installer la cuisinière. Les codes peuvent varier d'une région à l'autre. L'installation, les connexions électriques et la mise à la terre doivent être conformes à tous les codes en vigueur. En l'absence de tels codes, l'appareil doit être installé conformément à la norme ANSI Z223.1 du National Fuel Gas Code et la norme 70-1990 ANSI/NFPA du National Electrical Code.

Assurez-vous que l'appareil installé est réglé selon le type de gaz utilisé. La cuisinière à gaz est réglée en usine pour fonctionner au gaz naturel ou propane selon le modèle spécifique commandé. **Avant d'aller plus loin, vérifiez que la cuisinière est compatible avec le gaz du site où elle doit être installée.** Retournez la cuisinière au distributeur si l'appareil n'est pas réglé pour le type de gaz du site.

PLANIFICATION DE L'INSTALLATION

INSTRUCTIONS CONCERNANT L'INSTALLATION RECOMMANDÉE

Installez les composants dans l'ordre suivant :

- A. Hotte à évacuation
- B. Dossieret (sont séparément vendues)
- C. Cuisinière

1. Positionnez la cuisinière et mettez-la de niveau conformément aux instructions d'installation.
2. Mesurez la distance entre le plancher et le haut de la garniture d'îlot de la cuisinière en ajoutant 3,5 mm (1/8 po) de dégagement pour le dossieret.
3. Reportez cette mesure au mur. Ceci indique le bas du dossieret.
4. Mesurez sur le mur, à partir de cette ligne, 71 cm (28 po) dans le sens de la hauteur pour indiquer la limite supérieure du dossieret de 30 po. Ceci constitue la hauteur minimum à laquelle le bas de la hotte de ventilation peut être installé.
5. Suivez les instructions du fabricant de la hotte pour installer celle-ci.
6. Suivez les instructions du fabricant du dossieret pour installer celui-ci.
7. Effectuez les connexions à gaz et électriques, puis glissez la cuisinière pour la mettre à sa place.

DÉBALLAGE ET MANIPULATION

MISE EN GARDE :

utilisez un équipement approprié et un nombre de personnes suffisant pour déplacer la cuisinière afin d'éviter d'endommager l'appareil ou le plancher. L'appareil est lourd et repose sur des pieds en acier ajustables.



AVERTISSEMENT :

ÉVITEZ de soulever la cuisinière par les poignées de la porte du four ou la poignée du ramasse-gouttes!!!

DÉPLACEMENT ET PLACEMENT DE LA CUISINIÈRE

Le poids de la cuisinière à l'expédition est d'environ 185 kg/408 lb ou 160 kg/354 lb après retrait du matériel d'emballage. Il est recommandé d'enlever la porte, les grilles et le panneau de seuil de porte avant afin de faciliter la manipulation de l'appareil, ce qui permet de réduire son poids à environ 104 kg/230 lb.

Il peut s'avérer nécessaire de retirer les portes et boutons du four pour passer par certaines portes du bâtiment. Une fois la porte et les boutons enlevés, l'appareil peut passer par une ouverture de 72 cm (29-3/8 po). Si la porte n'est pas retirée, l'ouverture doit mesurer 76 cm (30 po). Retirez le carton extérieur et le matériel d'emballage de la base de transport.

DÉBALLAGE ET MANIPULATION

DÉPLACEMENT ET POSITIONNEMENT DE LA CUISINIÈRE (suite)

Effectuez les connexions électriques et à gaz (page 13) avant de glisser la cuisinière dans l'ouverture de l'armoire. Si vous installez un dossier intégral avec la cuisinière, faites-le avant de placer la cuisinière dans sa position finale (voir page 15). La cuisinière professionnelle doit être de niveau pour bien fonctionner. Si vous voulez que l'appareil affleure parfaitement les comptoirs adjacents, il est impératif que les armoires soient de niveau (de l'avant à l'arrière et de gauche à droite sur toute la largeur de la cuisinière). Après avoir vérifié que les comptoirs sont de niveau et avant de mettre la cuisinière à sa place, mesurez la distance entre le plancher et le dessus de la surface de travail du comptoir, aux coins arrière gauche et droit. Ajustez les coins arrière correspondants de la cuisinière afin qu'ils soient à une hauteur égale par rapport au comptoir car les pieds d'inclinaison arrière de l'appareil ne sont plus accessibles une fois la cuisinière mise en place. Une fois la cuisinière à sa place, les pieds d'inclinaison avant demeurent accessibles afin de pouvoir mettre l'avant de la cuisinière de niveau. Remplacez le panneau de seuil de porte et la porte du four en inversant la procédure décrite auparavant. Il est essentiel que les deux vis retenant le panneau de seuil de porte soient bien fixées afin d'éviter tout accès accidentel à des composants et fils électriques sous tension (fig. 02).

Installez le dispositif antibasculement (voir la page 12 pour obtenir des instructions). La cuisinière professionnelle doit être transportée par chariot jusqu'à son emplacement final. Pour retirer le chariot, faites pencher l'appareil vers l'arrière en le soutenant sur ses pieds arrière. Veuillez à protéger le plancher (parquet en lames, tapis, panneaux, etc.) sous les pieds avant de pousser l'appareil sur son emplacement.

Remarque :

Afin de vous faciliter l'installation, prenez soin d'installer la hotte à évacuation et le dossier avant de glisser la cuisinière à sa place.

MISE EN GARDE :

Avant d'utiliser la cuisinière, prenez soin de retirer l'espaceur de transport du grilloir (voir Fig. 03).

Pour retirer le panneau de seuil de porte :

Enlevez les deux vis du haut et en tirant vers vous. La cuisinière est retenue sur la plateforme par deux supports en L à l'avant, derrière le panneau de seuil de porte (fig. 02), et deux supports en L situés sur la bride inférieure à l'arrière de la cuisinière (Fig. 04). Une fois les boulons et les supports retirés, soulevez la cuisinière et dégagez-la de la plateforme.

Étant donné le poids de l'appareil, déplacez-le à l'aide d'un chariot à roues à bandage souple. Le poids doit être supporté de manière uniforme sur toute la partie inférieure (fig. 05).

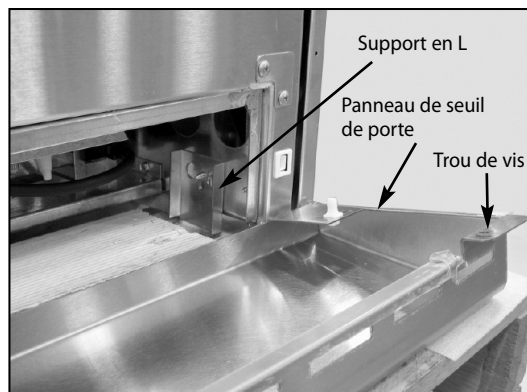


Fig. 02

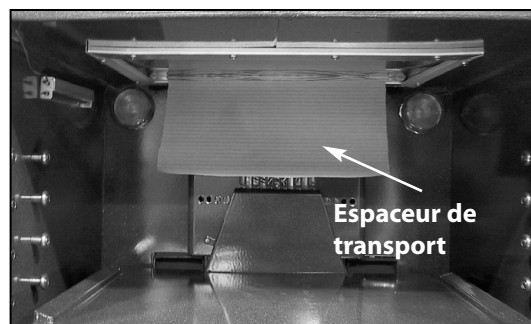


Fig. 03

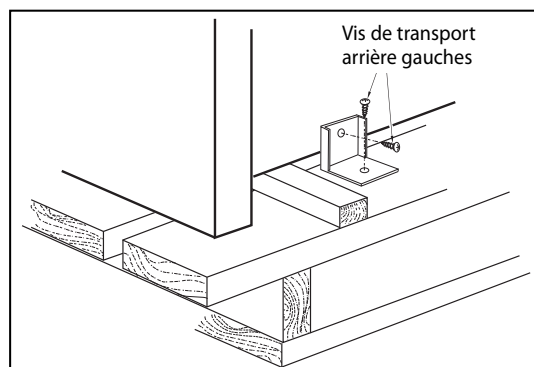


Fig. 04

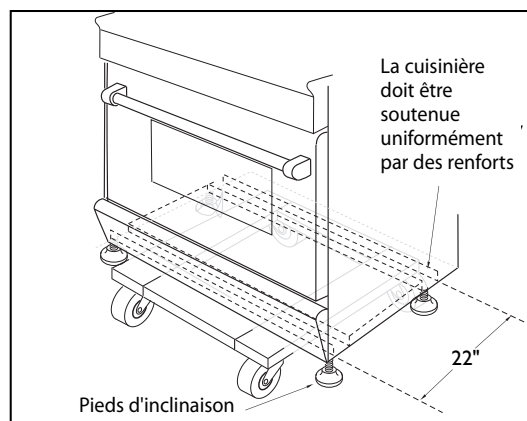


Fig. 05

DÉBALLAGE ET MANIPULATION

RETRAIT DE LA PORTE DU FOUR



AVERTISSEMENT!

Évitez de soulever la porte du four par la poignée, vous pourriez l'endommager! Assurez-vous que le four et la porte sont froids avant de retirer la porte!

1. Ouvrez la porte complètement (fig. 06).
2. Déverrouillez les charnières de la porte en tournant le verrou vers l'avant (fig. 07).
3. Une fois les deux charnières débloquées, fermez doucement la porte de moitié environ. Saisissez les côtés de la porte et soulevez doucement vers le haut et légèrement vers l'avant : la porte se dégage de la charnière.
4. Continuez à soulever et à tirer la porte à l'écart de la cuisinière.



Fig. 06
Charnière de four

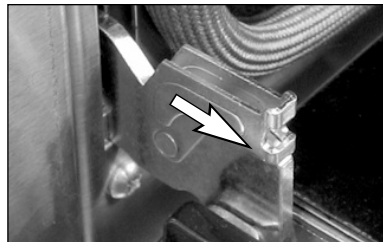


Fig. 07
Clip de retenue de charnière en position déverrouillée

INSTALLATION DE LA PORTE DU FOUR

1. Positionnez la porte de sorte qu'elle soit ouverte à moitié environ.
2. Placez tout simplement la languette de la charnière dans les fentes de la charnière (voir fig. 08).
3. Enfoncez la porte dans les fentes jusqu'à ce que vous sentiez celles-ci emboîtées dans les verrous.
4. Ouvrez la porte complètement et faites pivoter les verrous en position fermée (fig. 09).
5. Fermez la porte du four.

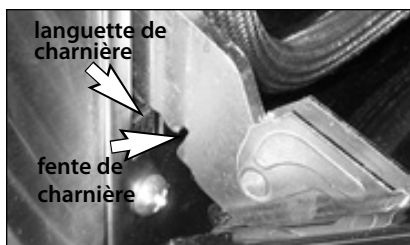


Fig. 08
Charnière

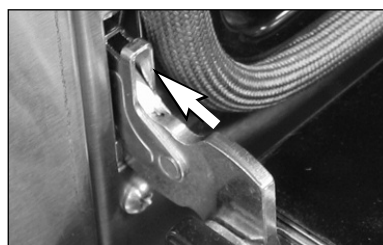


Fig. 09
Clip de retenue de charnière en position verrouillée

EXIGENCES EN MATIÈRE DE VENTILATION

Vous devez installer une hotte à évacuation appropriée au-dessus de la cuisinière. Le tableau suivant indique la capacité minimum du ventilateur recommandée pour aérer la hotte.

Appareil de ventilation	Recommandations concernant l'installation d'un comptoir standard	Recommandations concernant l'installation en îlot
HOTTE	(prof. 61 cm/24 po x larg. de l'appareil)	(prof. 76 cm/30 po x 91 cm/36 po au bas)
VENTILATEUR	600 PI3/MIN	600 PI3/MIN

MISE EN GARDE :

les hottes et les ventilateurs sont conçus pour être utilisés avec des conduits à paroi simple. Il se peut toutefois que certains codes du bâtiment ou inspecteurs locaux exigent des parois doubles et/ou un registre. Consultez les codes du bâtiment ou organismes locaux avant de commencer, afin de vous assurer que l'installation de la hotte et des conduits est conforme aux normes en vigueur.

La vitesse du ventilateur de la hotte doit être variable afin de permettre de réduire le niveau de bruit ainsi que la perte d'air chauffé ou conditionné lorsqu'une ventilation maximum n'est pas requise. La vitesse maximum du ventilateur n'est normalement requise que lorsqu'on utilise le gril.

Pour évacuer la fumée de façon optimale, le bord inférieur de la hotte doit être installé à un minimum de 76 cm (30 po) et un maximum de 91 cm (36 po) au-dessus de la surface de cuisson de la cuisinière (pages 13). Si la hotte contient des matériaux combustibles (un revêtement en bois par ex.), placez-la à au moins 91 cm (36 po) au-dessus de la surface de cuisson.

Il est recommandé d'assurer une source d'air frais à cause du volume élevé d'air de ventilation. Ceci est particulièrement important pour les résidences très isolées. Consultez un spécialiste en chauffage et aération réputé.

INSTALLATION DU DISPOSITIF ANTIBASCULEMENT

Un dispositif antibasculement doit être installé correctement sur toutes les cuisinières conformément aux instructions suivantes. Si vous devez retirer la cuisinière du mur pour quelque raison que ce soit, veillez à bien la remettre en place lorsque vous la repoussez contre le mur. Elle risque sinon de basculer et de blesser quelqu'un si vous ou un enfant vous tenez debout, vous asseyez ou vous appuyez contre une porte de four ouverte.

PIÈCES INCLUSES :

(4) vis à bois no. 10 x 2 po, (1) support antibasculement et des instructions d'installation.

INSTALLATION DU KIT :

Ces instructions s'appliquent à des planchers de bois ou en ciment. Tout autre type de matériau peut exiger des techniques d'installation spéciales visant à assurer la bonne fixation du support antibasculement au plancher et au mur. Le support ne peut empêcher le basculement de la cuisinière s'il n'est pas installé correctement.

CONSTRUCTION EN BOIS :

Placez le support contre le mur arrière, au coin arrière droit où doit être placée la cuisinière. Laissez un espace entre le mur (ou paroi latérale de la cuisinière) et le support de 3/4 po (voir fig. 10). Percez (2) trous de guidage de 3 mm (1/8 po) de diamètre au centre des petits trous. Servez-vous d'un clou ou d'un poinçon si vous ne disposez pas d'une perceuse. Fixez solidement le support au plancher et au mur.

CONSTRUCTION EN BÉTON OU EN CIMENT :

Matériel requis :

(2) ancrs à douille de sécurité, tire-fonds et rondelles (non fournis).

Placez le support tel que décrit ci-dessus. Percez les trous selon les dimensions indiquées pour la quincaillerie. Installez les ancrs à douille de sécurité dans les trous, puis passez les tire-fonds dans le support. Les tire-fonds doivent être correctement serrés tel que recommandé pour la quincaillerie. Fixez solidement le support au plancher et au mur.

UNE FOIS INSTALLÉ :

Effectuez l'installation de la cuisinière conformément aux instructions fournies avec le produit. Vérifiez la bonne installation de la cuisinière et du dispositif antibasculement en saisissant l'arrière de l'appareil et en essayant de l'incliner avec précaution vers l'avant.

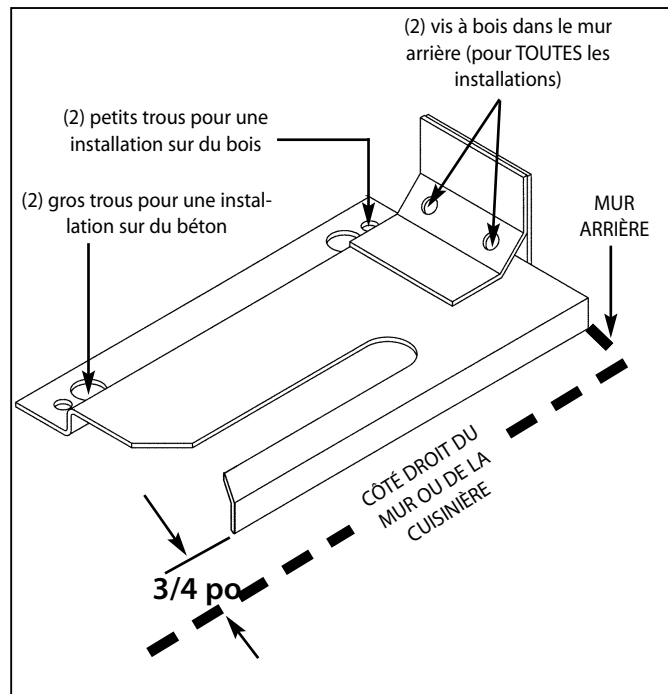


Fig. 10



Fig. 11

PRÉPARATION DES ARMOIRES

1. La cuisinière est un appareil indépendant. Respectez les mesures de dégagement indiquées aux figures 13 si vous comptez la placer à côté d'armoires de cuisine. Les mêmes dégagements s'appliquent à une installation en îlot.
2. La cuisinière peut être placée de diverses façons par rapport au devant de l'armoire, le cadre avant affleurant ou dépassant le comptoir, selon la profondeur de celui-ci.
3. La source d'alimentation en gaz ou électrique doit se trouver dans les zones indiquées (figures 13 et 14).
4. La profondeur maximum des armoires suspendues de chaque côté de la hotte est de 33 cm (13 po).
5. Toute ouverture dans le mur derrière la cuisinière et dans le plancher sous la cuisinière doit être scellée.
6. Si le dégagement entre les matériaux combustibles et le bord arrière de la cuisinière (au-dessus de la surface de cuisson) est inférieur à 30,5 cm (12 po), installez un dossier bas ou intégral DCS (fig. 13, Installation standard). La cuisinière comporte une garniture d'îlot comme équipement standard. La figure 13 indique l'espace requis pour chaque type de dossier.
7. Gardez toujours la zone entourant l'appareil dégagée et exempte de matériaux combustibles, d'essence et autres vapeurs et liquides inflammables.
8. Évitez d'obstruer le flot d'air de combustion et de ventilation dirigé vers l'appareil.

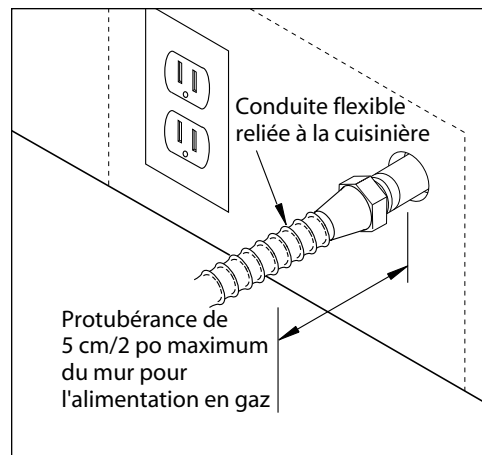


Fig. 12

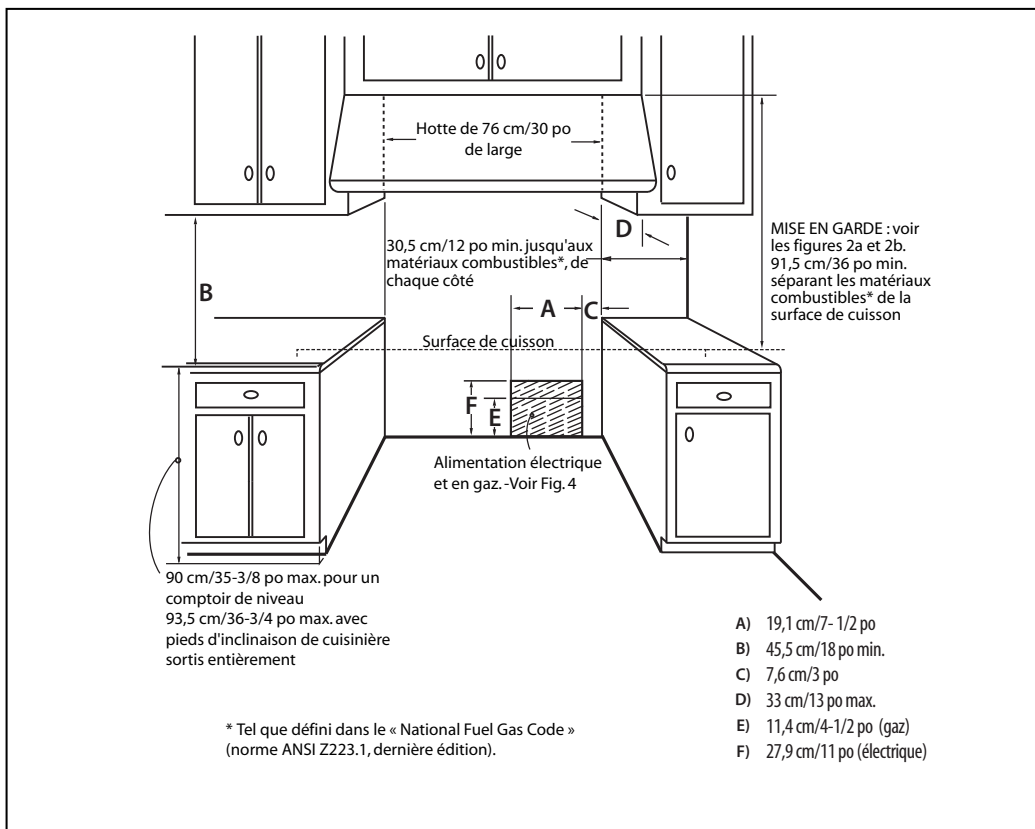


Fig. 13

PRÉPARATION DES ARMOIRES

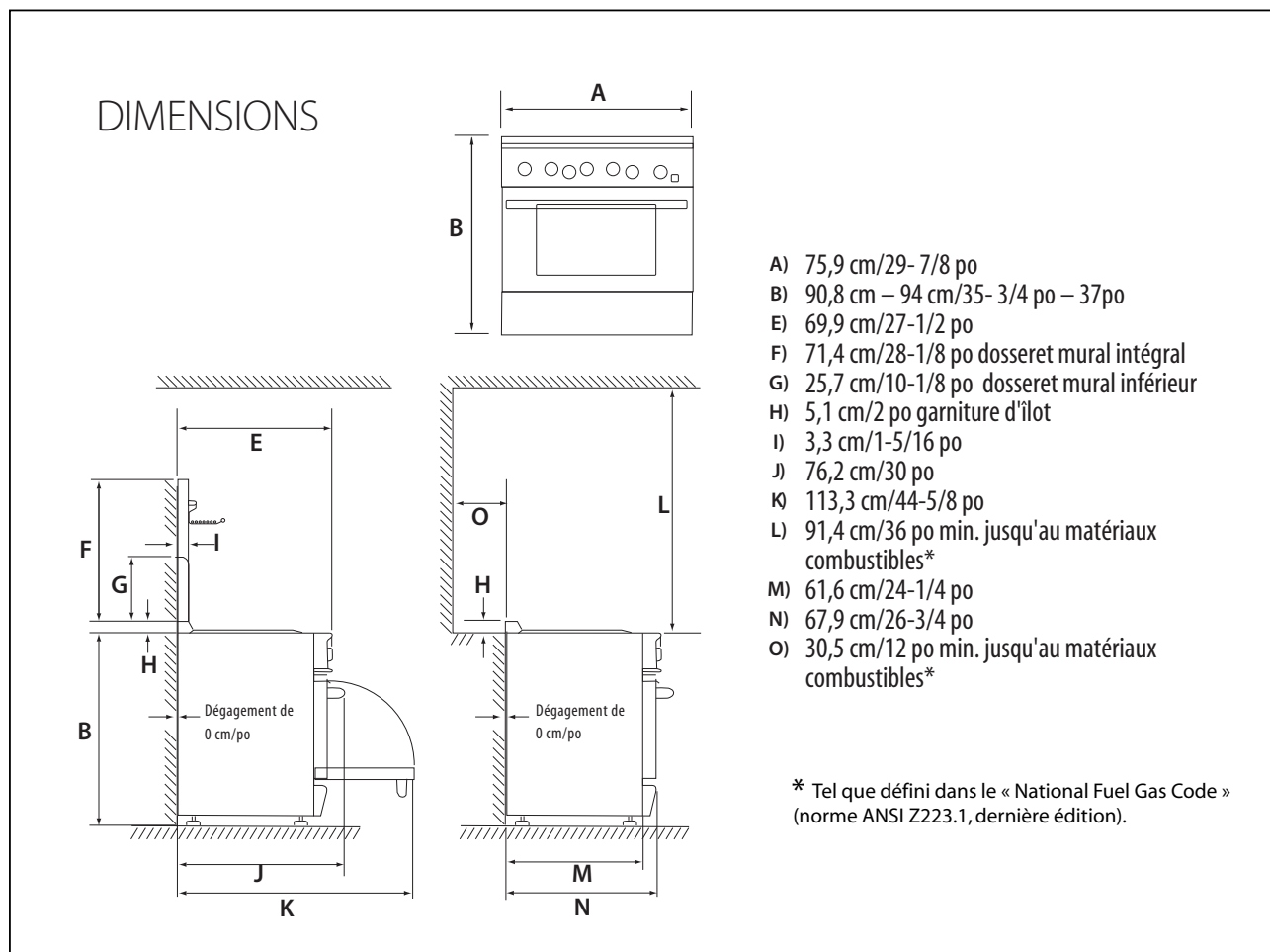


Fig. 14

INSTALLATION DU DOSSERET

Placez le dossier tel qu'indiqué à la fig. 15. Fixez-le au mur, derrière la cuisinière. Chaque dossier (intégral ou bas) est fourni avec ses instructions d'installation. Voir aussi page 8, section de « Planification de l'installation ». Le dossier doit être installé lorsque le dégagement entre les matériaux combustibles et l'arrière de la cuisinière (au-dessus de la surface de cuisson) est inférieur à 30,5 cm (12 po). Voir fig. 14. Les dossiers DCS sont vendus séparément.

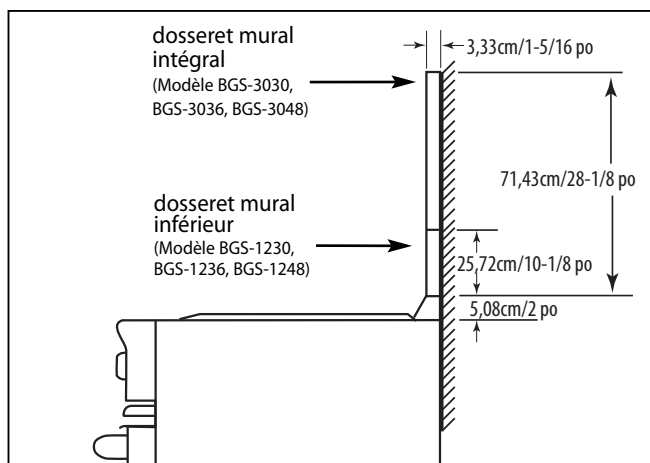


Fig. 15

CONNEXIONS ÉLECTRIQUES

CONNEXIONS ÉLECTRIQUES

Besoins en alimentation de la cuisinière :

120 V c.a., 60 Hz, courant monophasé. 4 A max. (utilisez un circuit de 15 A)

Débranchez toujours le cordon d'alimentation électrique de la prise murale ou coupez le courant avant de manipuler l'appareil. Respectez tous les codes et réglementations en vigueur concernant la mise à la terre. S'il n'y en a pas, respectez la norme ANSI/NFPA No. 70-1990 du National Electrical Code (Code national de l'électricité).

MÉTHODE DE MISE À LA TERRE RECOMMANDÉE

Cet appareil est équipé d'un cordon d'alimentation à fiche bipolaire avec terre dotée de lames parallèles polarisées. La fiche doit être branchée dans une prise avec mise à la terre correspondante connectée à un circuit correctement polarisé de 120 V. Si le circuit ne possède pas ce genre de prise, l'installateur ou l'utilisateur a la responsabilité et le devoir de faire remplacer, par un technicien qualifié, la prise existante par une prise polarisée correctement mise à la terre conformément aux codes et réglementations en vigueur. En l'absence de tels codes et réglementations, le remplacement de la prise doit être effectué conformément au National Electrical Code (Code national de l'électricité).

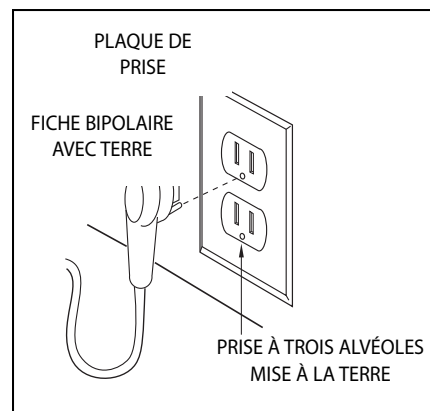


Fig. 16

Remarque:

La troisième broche de terre ne doit EN AUCUN CAS être coupée ou enlevée.

BRANCHEMENT DU GAZ

EXIGENCES CONCERNANT LE GAZ

Vérifiez le type de gaz alimentant le site. La cuisinière à gaz est réglée en usine pour fonctionner au gaz naturel ou propane selon le modèle spécifique commandé. **Avant d'aller plus loin, vérifiez que la cuisinière est compatible avec l'alimentation en gaz du site où elle doit être installée.** Renvoyez la cuisinière au distributeur si elle n'est pas réglée pour fonctionner avec l'alimentation en gaz du site.

GAZ NATUREL

■ Connexion : 1/2 NPT avec conduite flexible de 5/8 po de diamètre minimum. ■ Pression d'alimentation : 6-9 po C.E.

LP GAS

■ Connexion : Conduite flexible de 1/2 po NPT de 5/8 po diam. minimum. ■ Pression d'alimentation: entre 11-14 po C.E.
Un régulateur est requis à la source d'alimentation en gaz propane afin d'assurer une pression de 14 po C.E. maximum au régulateur de la cuisinière.

BRANCHEMENT DU GAZ

Un robinet manuel doit être installé à l'extérieur de l'appareil, sur le devant, dans un endroit accessible, afin de permettre de couper le gaz. La conduite d'alimentation ne doit pas dépasser l'arrière de l'appareil. Avant de brancher l'appareil, prenez soin de couper le gaz par le robinet mural.

Les connexions d'alimentation en gaz doivent être effectuées par un technicien qualifié conformément aux codes et règlements en vigueur. En l'absence de codes locaux, l'installation doit être conforme à la norme ANSI Z223.1, dernière édition, du National Fuel Gas Code.

MISE EN GARDE :

L'appareil et son robinet d'arrêt doivent être déconnectés du système d'alimentation en gaz du bâtiment durant les tests de pression lorsque la pression est supérieure à 3,5 kPa (1/2 psi). Lors de la vérification de la pression de gaz du distributeur, la pression d'arrivée du régulateur doit être d'au moins 7,0 po C.E. pour du gaz naturel ou 12 po pour du gaz propane.

REMARQUE :

La conduite flexible de l'alimentation en gaz doit être métallique et approuvée par un organisme de certification homologué (CSA ou UL). N'utilisez jamais de tuyau en caoutchouc ou autre matériau synthétique car la chaleur peut le faire fondre et produire des fuites..

Lorsque vous branchez l'alimentation en gaz du tuyau rigide arrière de la cuisinière au tuyau rigide du mur, faites en sorte que la conduite flexible reliant les deux tuyaux rigides soit suffisamment longue pour permettre d'éloigner la cuisinière du mur en cas de nettoyage ou d'entretien. Dans ce cas, il ne doit y avoir aucune tension au niveau des connexions des tuyaux rigides de la cuisinière et du mur (fig. 17).

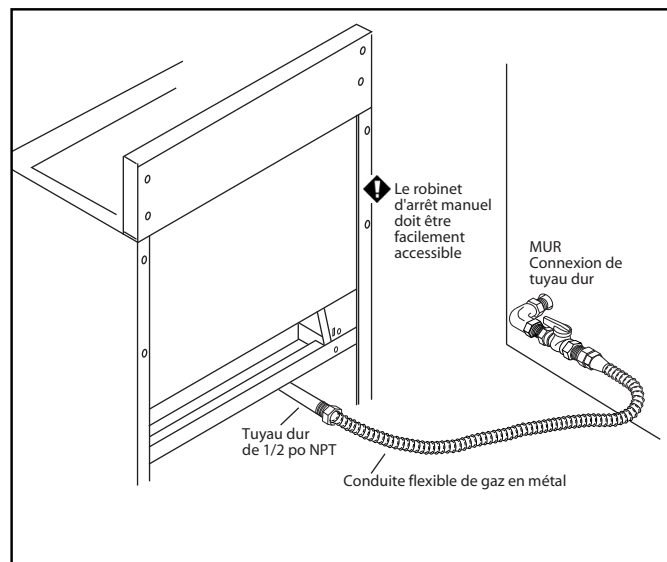


Fig. 17

ESSAI ET RÉGLAGES

! AVERTISSEMENT :

Aux fins de la garantie, DCS exige que le réglage des brûleurs soit effectué par un technicien qualifié au moment de l'installation. Faites extrêmement attention quand des réglages sont effectués après l'installation. LA GARANTIE SERA ANNULÉE SI LES RÉGLAGES SONT EFFECTUÉS INCORRECTEMENT OU PAS DU TOUT.

TABLE DE CUISSON BRÛLEURS

Les brûleurs de la table de cuisson ne sont pas réglables. Un fonctionnement normal est obtenu lorsque les orifices appropriés pour l'alimentation en gaz sont installés en usine, selon le modèle commandé.

Lors de l'installation de la couronne de brûleur, assurez-vous que les deux broches de position au bas de la couronne en laiton sont correctement alignés avec l'encoche de position et les trous centraux sur le dessus de la couronne de mijotage. Un mauvais alignement produira une flamme potentiellement dangereuse et entraînera un mauvais fonctionnement du brûleur.

Remarque :

Il n'est pas possible d'effectuer un réglage de l'obturateur d'air sur les brûleurs de la table de cuisson. Les flammes du brûleur doivent être bleues et stables, sans pointe jaune (quelques pointes jaunes sont chose normale pour du gaz propane) ni bruit excessif, et ne doivent pas tirer vers le haut (Fig. 18).

REMARQUE CONCERNANT L'ALLUMAGE DU BRÛLEUR DE LA TABLE DE CUISSON

Les brûleurs de table de cuisson scellés à tête scellée de la table de cuisson permettent un réglage continu de la flamme et leurs boutons de réglage ne comportent pas de position fixe entre les niveaux HI et LO. Pour allumer le brûleur de table de cuisson scellés à tête scellée de la table de cuisson, enfoncez le bouton de réglage et tournez-le vers la gauche à la position LITE. Vous devriez entendre un dé clic. Une fois le gaz allumé par l'allumeur électronique, tournez le bouton au réglage voulu (Fig. 19).

Remarque :

L'allumeur continue de cliquer jusqu'à l'apparition d'une flamme. Si le brûleur de la table de cuisson ne se rallume pas, vérifiez l'allumeur en écoutant s'il y a un dé clic. Si vous n'entendez pas de dé clic, éteignez le brûleur. Vérifiez si un disjoncteur s'est déclenché, si un fusible est grillé ou si la connexion de l'allumeur est mauvaise.

! AVERTISSEMENT :

Quand vous allumez un brûleur de table de cuisson, prenez soin de vous arrêter à la position LITE avant de sélectionner un niveau de flamme pour la cuisson. Si le brûleur n'est pas allumé et qu'il est tourné au-delà de la position « LITE », sur HI, MEDIUM ou LO, un éclat de flamme se produit lorsque le brûleur finit par s'allumer. Cela peut causer des blessures ou endommager le comptoir adjacent.

BRÛLEURS DE FOUR ET À INFRAROUGE DE GRILLOIR

MISE EN GARDE :

Le brûleur infrarouge du grilloir ne comporte pas d'obturateur d'air et n'est pas réglable. Le brûleur de cuisson comporte un obturateur d'air et il est réglable. Il est impératif de faire fonctionner le grilloir pendant 20 à 30 minutes pour éliminer la forte odeur de l'isolant (voir la page 8 du manuel d'utilisation et d'entretien). Ceci doit être fait avant d'utiliser la cuisinière pour la première fois et en assurant une bonne ventilation.

Vérifiez que la flamme du brûleur est correcte. Les flammes du brûleur doivent être bleues et stables, sans pointe jaune ni bruit excessif, et ne doivent pas tirer vers le haut. Si l'une de ces situations se produit, assurez-vous que l'obturateur d'air (brûleur du four uniquement; Fig. 20) ou les ports des brûleurs ne sont pas bouchés. Si le problème persiste, faites appel à un technicien qualifié. La hauteur des flammes du brûleur du four doit se situer entre 4 et 5 cm (de 1-1/2 à 2 po) (Fig. 21). Celle du brûleur de grilloir à infrarouge doit être d'environ 3 mm (1/8 po) sur tout le périmètre du brûleur (Fig. 22).

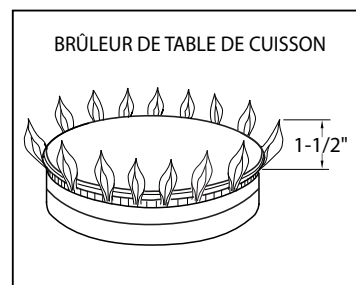


Fig. 18

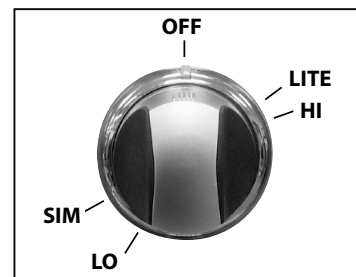


Fig. 19

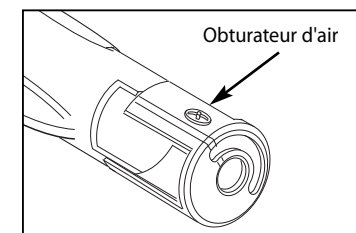


Fig. 20

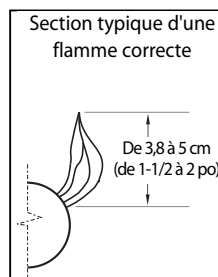


Fig. 21

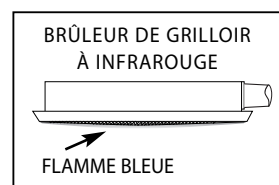


Fig. 22

NETTOYAGE DES SURFACES EXTÉRIEURES

Pour nettoyer les surfaces en acier inoxydable, essuyez-les à l'aide d'un linge ou éponge imbibé d'eau savonneuse. Un savon liquide (Dawn et Stainless Steel Magic, par exemple) permettra d'éliminer les empreintes digitales et les taches. N'utilisez pas de laine d'acier au risque d'égratigner la surface.

LISTE DE CONTRÔLE FINALE DE L'INSTALLATEUR

GÉNÉRALITÉS

- Emplacement de l'appareil.
- Dégagement spécifié respecté par rapport aux surfaces d'armoires.
- Appareil de niveau - de l'avant à l'arrière, d'un bord à l'autre.
- Matériel d'emballage et courroies d'attache enlevés, ramasse-gouttes propres et vides.
- Dossieret installé si le dégagement entre les matériaux combustibles et l'arrière de la cuisinière, au-dessus de la surface de cuisson, est inférieur à 30,5 cm (12 po).

ÉLECTRIQUE/CARACTÉRISTIQUES ÉLECTRIQUES

- Prise avec protection de surintensité de courant de 15 ampères pour brancher le cordon d'alimentation.
- Connexion de mise à la terre adéquate.
- Panneau de seuil de porte avant en place et deux (2) vis bien mises.

ALIMENTATION EN GAZ

- Connexion : 1/2 NPT avec conduite flexible de 5/8 po de diamètre minimum.
- L'alimentation en gaz du site est compatible avec le modèle de cuisinière. Le régulateur de pression connecté au distributeur est réglé sur 5,0 po C.E. pour le gaz naturel ou 10,0 po C.E. pour le gaz propane.
- Robinet d'arrêt manuel installé dans un endroit facile d'accès.
- Appareil testé et exempt de fuites.

OPÉRATION/FONCTIONNEMENT

- Tout le matériel d'emballage interne a été enlevé. Vérifiez en dessous de la grille et à l'intérieur du four.
- Cadres centrés sur les boutons des brûleurs et boutons tournant librement.
- Chaque brûleur s'allume correctement, qu'il fonctionne seul ou avec les autres brûleurs fonctionnant en même temps.
- Vérifiez les caractéristiques de la flamme sur tous les brûleurs et effectuez tout réglage conformément aux instructions de la page 17.
- Les charnières de la porte sont bien logées et la porte s'ouvre et se ferme correctement.
- Les grilles des brûleurs sont correctement placées, de niveau et ne remuent pas.

POUR L'OBTENTION DE SERVICE

Pour le service sous garantie, contactez le représentant du centre de service à la clientèle DCS au (888) 936-7872. Avant d'appeler, veuillez avoir les informations suivantes à portée de main :

- Numéro de modèle (situé sur la plaque signalétique, sur le panneau arrière et également sur le cadre avant, coin inférieur droit entre le panneau de seuil de porte et la porte du four).
- Numéro de série (situé sur la plaque signalétique, sur le panneau arrière et également sur le cadre avant, coin inférieur droit entre le panneau de seuil de porte et la porte du four).
- Date d'installation
- Brève description du problème

Votre satisfaction revêt la plus grande importance pour nous. Si un problème n'est pas résolu à votre entière satisfaction, veuillez communiquer avec nous par téléphone, courrier ou courriel :

Fisher & Paykel Appliances, Inc.
Attention: DCS Customer Care
5900 Skylab Road
Huntington Beach, CA 92647

par courriel: customer.care@fisherpaykel.com

AVANT D'APPELER LE SERVICE TECHNIQUE

- Est-ce que le disjoncteur s'est déclenché ou que le fusible est grillé?
- Y a-t-il une coupure de courant dans le secteur?

GARANTIE

LIMITED WARRANTY

À l'achat d'une cuisinière DCS neuve, vous bénéficiez automatiquement d'une garantie limitée d'un an couvrant pièces et main d'œuvre sur le produit tout entier, d'une garantie limitée de cinq ans sur les brûleurs de surface et brûleurs de four (pièces seulement), et d'une garantie limitée de deux ans sur la paroi interne du four en porcelaine et le panneau de porte intérieur en porcelaine (pièces seulement) donnant droit à un service technique dans les 48 États continentaux des États-Unis, Hawaï, Washington D.C. et le Canada. La garantie limitée est la même en Alaska sauf que vous devez payer les frais d'expédition du produit à un centre de service ou les frais de déplacement d'un technicien dans le cas d'une visite à domicile. Les produits destinés à une utilisation au Canada doivent être achetés auprès d'un distributeur canadien afin de respecter la réglementation en vigueur.

FISHER & PAYKEL S'ENGAGE À :

entreprendre à ses frais (pièces et main-d'œuvre) toutes réparations du produit (sur lequel figure le numéro de série) jugé défectueux. En Alaska, vous devez payer les frais d'expédition du produit à un centre de service ou les frais de déplacement d'un technicien dans le cas d'une visite à domicile.

Si nous sommes dans l'incapacité de réparer une pièce défectueuse du produit après un nombre raisonnable de tentatives, nous pourrions, à notre choix, remplacer la pièce ou le produit, ou vous rembourser entièrement le prix d'achat du produit (à l'exclusion des frais d'installation ou autres frais.)

Cette garantie s'applique à l'acheteur initial et à tous les propriétaires successifs du produit dans la mesure où il s'agit d'un produit acheté pour une utilisation à domicile normale. Tout service couvert par cette garantie limitée sera assuré par Fisher & Paykel Appliances Inc. ou son agent de service DCS agréé durant les heures d'ouverture normales.

QUELLE EST LA DURÉE DE CETTE GARANTIE LIMITÉE?

Notre responsabilité en vertu de cette garantie limitée concernant l'intégralité du produit expire UN AN à partir de la date d'achat du produit par le premier acheteur. Notre responsabilité en vertu de cette garantie limitée concernant les brûleurs de surface, les brûleurs de surface et brûleurs de four (pièces seulement) expire CINQ ANS à partir de la date d'achat du produit par le premier client. Notre responsabilité en vertu de cette garantie limitée concernant la paroi interne du four en porcelaine et le panneau de porte intérieur en porcelaine (pièces seulement) expire DEUX ANS à partir de la date d'achat du produit par le premier client.

Notre responsabilité en vertu de toute garantie implicite, y compris la garantie implicite de qualité marchande (la garantie tacite selon laquelle le produit est approprié pour un usage normal) expire également UN AN (ou une période plus longue si requis par la loi) à partir de la date d'achat du produit par le premier acheteur. Certaines juridictions ne permettent pas la limitation de la garantie implicite, il est donc possible que la limitation ci-dessus sur les garanties implicites ne s'applique pas à vous.

NE SONT PAS COUVERTS PAR LA GARANTIE :

- A. Les appels de service n'ayant aucun rapport avec un défaut éventuel du produit. Le coût de l'appel de service sera facturé s'il se trouve que le problème n'est pas dû à un défaut du produit. Par exemple :
 1. Corriger une mauvaise installation du produit.
 2. Montrer comment utiliser le produit.
 3. Remplacer des fusibles à domicile, réarmer les disjoncteurs, réparer les fils électriques ou la plomberie du domicile, ou remplacer des ampoules.
 4. Corriger des anomalies causées par l'utilisateur.
 5. Changer la configuration du produit.
 6. Modifications non autorisées du produit.
 7. Bruits ou vibrations considérés comme normaux, par exemple les bruits de drain ou de ventilateur, les bruits de régénération (vibrations, sifflements) ou les signaux d'avertissement à l'intention de l'utilisateur.
 8. Corriger des dommages causés par des animaux nuisibles, par exemple des rats, des coquerelles, etc.
- B. Défauts causés par des facteurs autres que :
 1. Utilisation domestique normale ou
 2. Utilisation conformément au manuel d'utilisation et d'entretien du produit.
- C. Défauts du produit pour cause d'accident, négligence, mauvaise utilisation, incendie, inondation ou calamité naturelle.
- D. Les coûts des réparations effectuées par des techniciens non autorisés ou le coût de correction de ces réparations non autorisées.

GARANTIE

- E. Les frais de voyage et les frais connexes encourus lorsque le produit est installé dans un lieu à accès illimité ou restreint (déplacement par avion ou par bateau, régions géographiques isolées, etc).
- F. Entretien normal recommandé par le manuel d'utilisation et d'entretien du produit.
Contactez votre distributeur ou votre installateur en cas de problème d'installation. Il vous incombe d'assurer une installation électrique, une ventilation et toute autre connexion appropriées.

Nous ne sommes pas responsables des dommages indirects ou accessoires (coût de réparation ou de remplacement d'autres biens endommagés parce que le produit était défectueux ou tout autre coût que vous auriez encouru parce que le produit était défectueux). Certaines juridictions interdisent l'exclusion ou la restriction de la responsabilité des dommages indirects ou accessoires; l'exclusion ou la restriction indiquée ci-dessus peut donc ne pas s'appliquer à votre cas particulier.

POUR OBTENIR DES RÉPARATIONS

Veillez consulter le manuel d'utilisation et d'entretien. Si vous avez des questions concernant l'utilisation du produit, que vous cherchez le nom de l'agent de service DCS agréé local ou que pensez que le produit est défectueux et désirez le faire réparer dans le cadre de cette garantie limitée, veuillez contacter votre distributeur ou nous appeler au numéro suivant :

(NUMÉRO SANS FRAIS) 1-888-936-7872 ou contactez-nous par l'intermédiaire de notre site Web :
www.dcsappliances.com

Vous devrez peut-être présenter une preuve raisonnable de la date d'achat du produit avant de pouvoir bénéficier d'une réparation dans le cadre de cette garantie limitée.

UTILISATION COMMERCIALE

Cette garantie s'applique à des appareils électroménagers utilisés à domicile; elle ne couvre pas les cas d'utilisation commerciale.

AUCUNE AUTRE GARANTIE

Cette garantie limitée constitue l'accord entier et exclusif entre vous et Fisher & Paykel Appliances Inc. en ce qui concerne tout défaut du produit. Aucun de nos employés (ou agents de service agréés) n'est autorisé à apporter des ajouts ou des modifications à cette garantie limitée.

Garant : Fisher & Paykel Appliances, Inc.

Si vous avez besoin d'aide au sujet de cette garantie limitée, veuillez nous appeler au numéro ci-dessus ou nous écrire à l'adresse suivante :

Fisher & Paykel Appliances, Inc.
5900 Skylab Road, Huntington Beach, CA 92647 États-Unis

Cette garantie limitée vous donne des droits juridiques spécifiques et vous pouvez bénéficier d'autres droits qui varient d'une juridiction à l'autre.

Fisher & Paykel Appliances Inc. est un fabricant de pointe d'appareils de cuisson et d'appareils spécialisés, sous les marques Fisher & Paykel et DCS.



Quality provided by Fisher & Paykel Appliances Inc.

Fisher & Paykel Appliances, Inc.
5900 Skylab Road, Huntington Beach, CA 92647
Customer Care: 888.936.7872
Fax: 714.372.7003
www.dcsappliances.com

Nous améliorons constamment ses produits et se réserve le droit de modifier les spécifications ou la conception de ses produits sans aucun préavis.

As product improvement is an ongoing process, we reserve the right to change specifications or design without notice.

P/N 238714 Rev. B
Litho in USA 08/2008