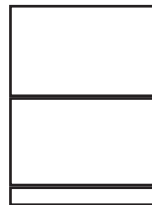


INSTALLATION INSTRUCTIONS

DishDrawer™ dishwasher

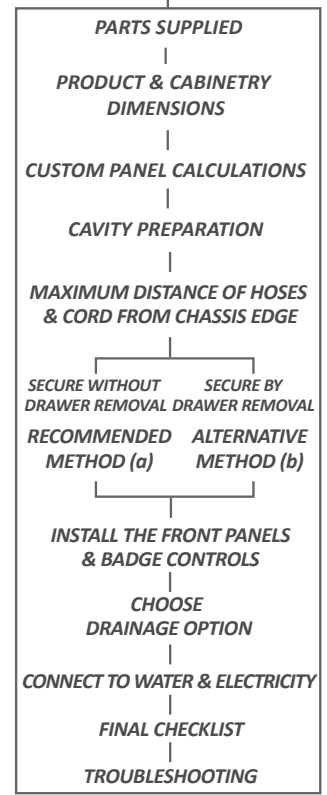
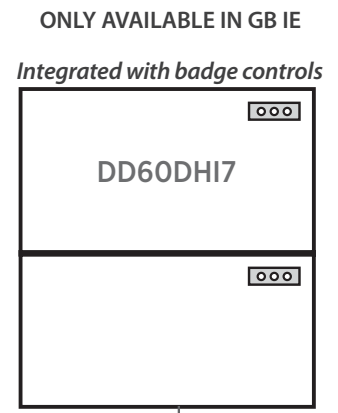
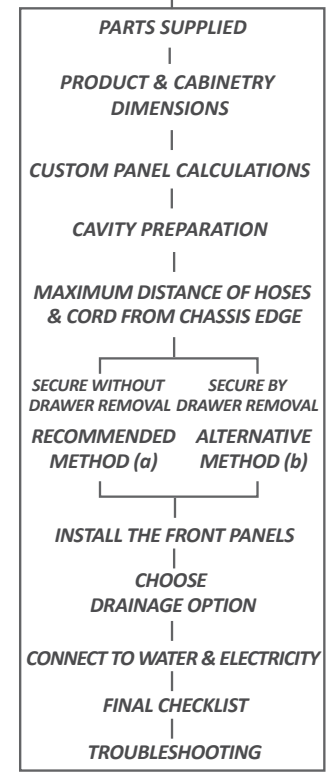
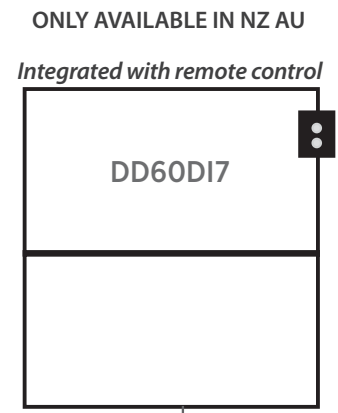
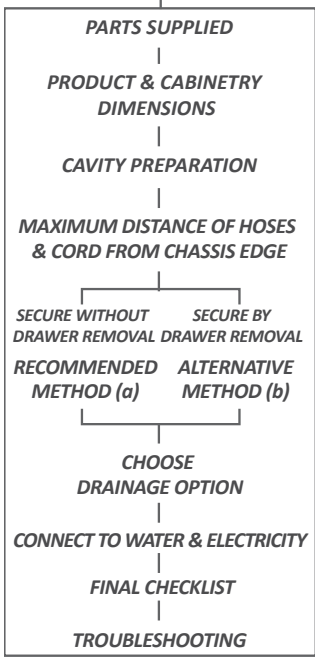
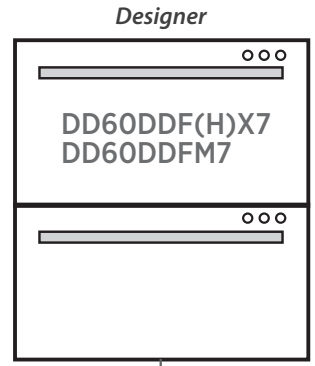
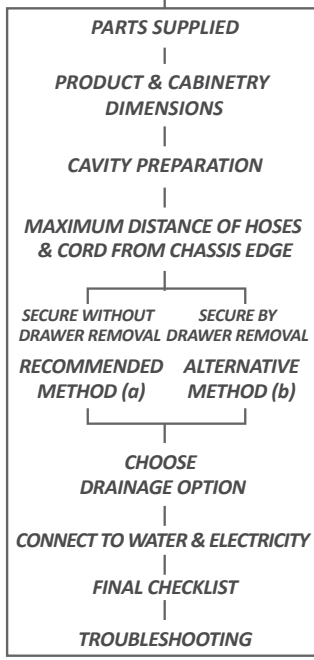
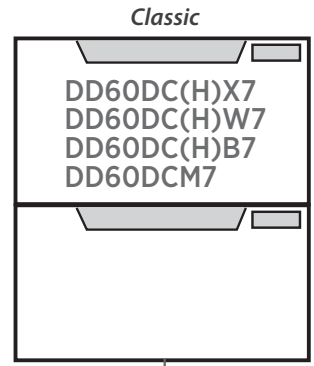
DD60D 7 models



NZ AU GB IE

Fisher & Paykel

1 FOLLOW THE INSTALLATION SEQUENCE RELEVANT TO YOUR MODEL



2a SAFETY AND WARNINGS - ALL MODELS

⚠ WARNING!

Electrical shock hazard

Before installing the dishwasher, remove the house fuse or open the circuit breaker.

This appliance must be earthed. In the event of a malfunction or breakdown, earthing will reduce the risk of electric shock by providing a path of least resistance for electric current. This appliance is equipped with a cord having an equipment-earthing conductor and an earthing plug. The plug must be plugged into an appropriate outlet that is installed and earthed in accordance with all local codes and ordinances. **WARNING-** Improper connection of the equipment-earthing conductor can result in a risk of electric shock. Check with a qualified electrician or service representative if you are in doubt as to whether the appliance is properly earthed.

Do not modify the power supply plug provided with the appliance - if it will not fit the outlet, have a proper outlet installed by a qualified electrician. Do not use an extension cord, adapter plug or multiple outlet box.

Failure to follow this advice may result in electrical shock or death.



⚠ WARNING!

Cut hazard

Take care - panel edges are sharp.

Failure to use caution could result in injury or cuts.



IMPORTANT SAFETY INSTRUCTIONS!

- Installation of this dishwasher requires basic mechanical and electrical skills.
- Be sure to leave these Instructions with the Customer.
- Installation must comply with your local building and electricity regulations.
- At the completion of the dishwasher installation, the Installer must perform the Final Checklist.
- Remove all packaging materials supplied with the dishwasher.
- This dishwasher is manufactured for indoor use only.
- Ensure all water connections are turned OFF. It is the responsibility of the plumber and electrician to ensure that each installation complies with all Codes and Regulations.
- The dishwasher **MUST** be installed to allow for future removal from the enclosure if service is required.
- The switched power outlet must be outside the dishwasher cavity, so that it is accessible after installation.
- Care should be taken when the appliance is installed or removed to reduce the likelihood of damage to the power supply cord and hoses.
- If the dishwasher is to be relocated from one installation to another it must be kept upright to avoid damage from water spillage.
- Make sure only new hoses are used for connection (supplied with the dishwasher). Old hoses should not be reused.
- Failure to install the dishwasher correctly could invalidate any warranty or liability claims.
- If the product is installed in a motor vehicle, boat or similar mobile facility, you must bring the vehicle, boat or mobile facility containing the product to the service shop at your expense or pay the service technician's travel to the location of the product.

SAVE THESE INSTRUCTIONS

2b ADDITIONAL SAFETY AND WARNINGS - INTEGRATED MODELS ONLY

⚠ WARNING!

*Fitting integrated front panels requires access to electrical service areas.
This work must be performed and certified by a qualified electrical service technician.*

Electrical Shock Hazard

WARNING: To reduce the risk of electrical shock, fire, or injury to persons, the installer must ensure that the dishwasher is completely enclosed at the time of installation.

Before fitting the front panels and connecting the integrated badges (where present), the installer must ensure that the dishwasher is disconnected from the power supply.

After installing the front panels, the installer must ensure that the following components are electrically earthed: the panel bracket, the integrated badge (where present) and any custom metal component (e.g. handle) that extends past the rubber seal.

Failure to follow these warnings may result in electrical shock, injury or fire.

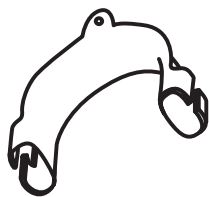


IMPORTANT SAFETY INSTRUCTIONS!

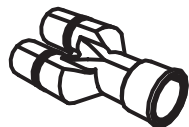
- Read these instructions completely and carefully.
- Ensure the product is not plugged in.
- Installation of custom panels requires basic mechanical and electrical skills.
- Installation must comply with your local building and electricity regulations.
- Failure to install the custom panels correctly could invalidate any warranty or liability claims.

SAVE THESE INSTRUCTIONS

3a) PARTS SUPPLIED - ALL MODELS



Drain hose support (1)



Drain hose joiner (1)



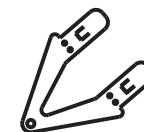
Wire clip (2)
(for securing
Drain hose joiner)



Clamp (1)
(for securing
Drain hose joiner)



Side mounting
bracket kit
(A and B) (2)
OPTIONAL



Top
mounting
brackets (2)
OPTIONAL



Phillips
16 mm
screws (9)



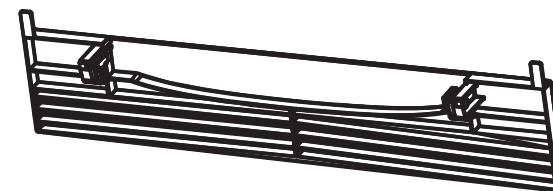
Rubber
washer for
inlet hose (1)
(comes already
fitted)



Moisture protection
tape (1)
(to prevent moisture
damage)



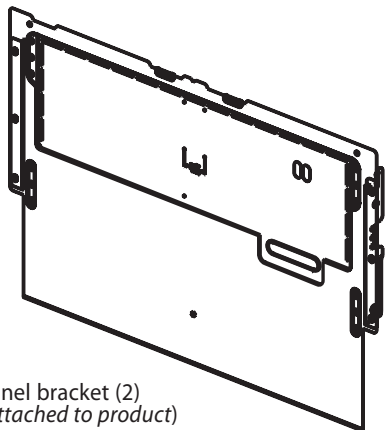
Hexagonal
socket for feet
adjustment (2)
(long & short)



Prefinished toekick (1)

If the Drain hoses supplied are not long enough to reach your services, you must use a Drain Hose Extension Kit P/N 525798 which will extend the drain hoses by 3.6 m. The kit is available from the nearest Fisher & Paykel Authorised Service Centre or our local website listed at the end of this document.

3b) ADDITIONAL PARTS SUPPLIED WITH INTEGRATED MODELS



Panel bracket (2)
(attached to product)



Panel mounting
screws (12)



Toekick mounting bracket (1)
(A custom toekick panel of any material with thickness 9 - 19 mm can be screwed to the plastic toekick mounting bracket)



Toekick
mounting
screws (5)

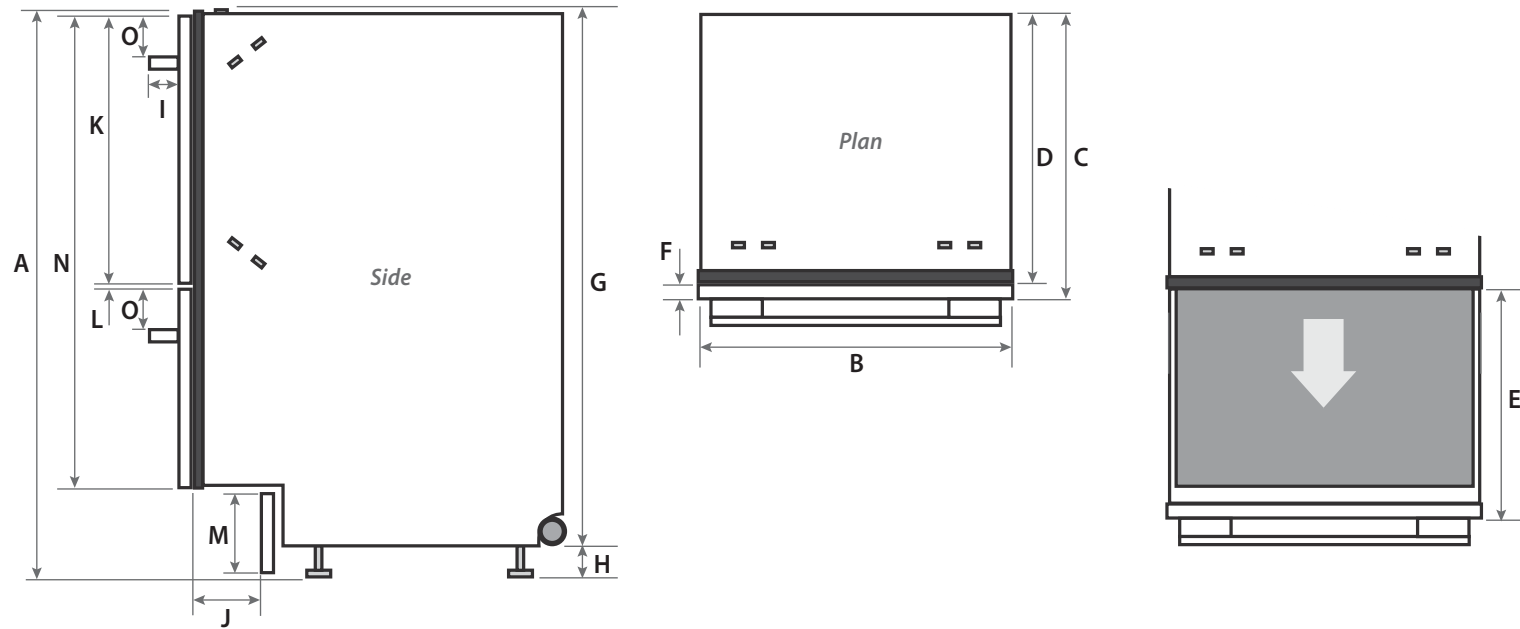


Integrated rectangular
badge (2)
(Satin chrome supplied)



supplied with Integrated models with badge (GB IE) only

4 PRODUCT DIMENSIONS



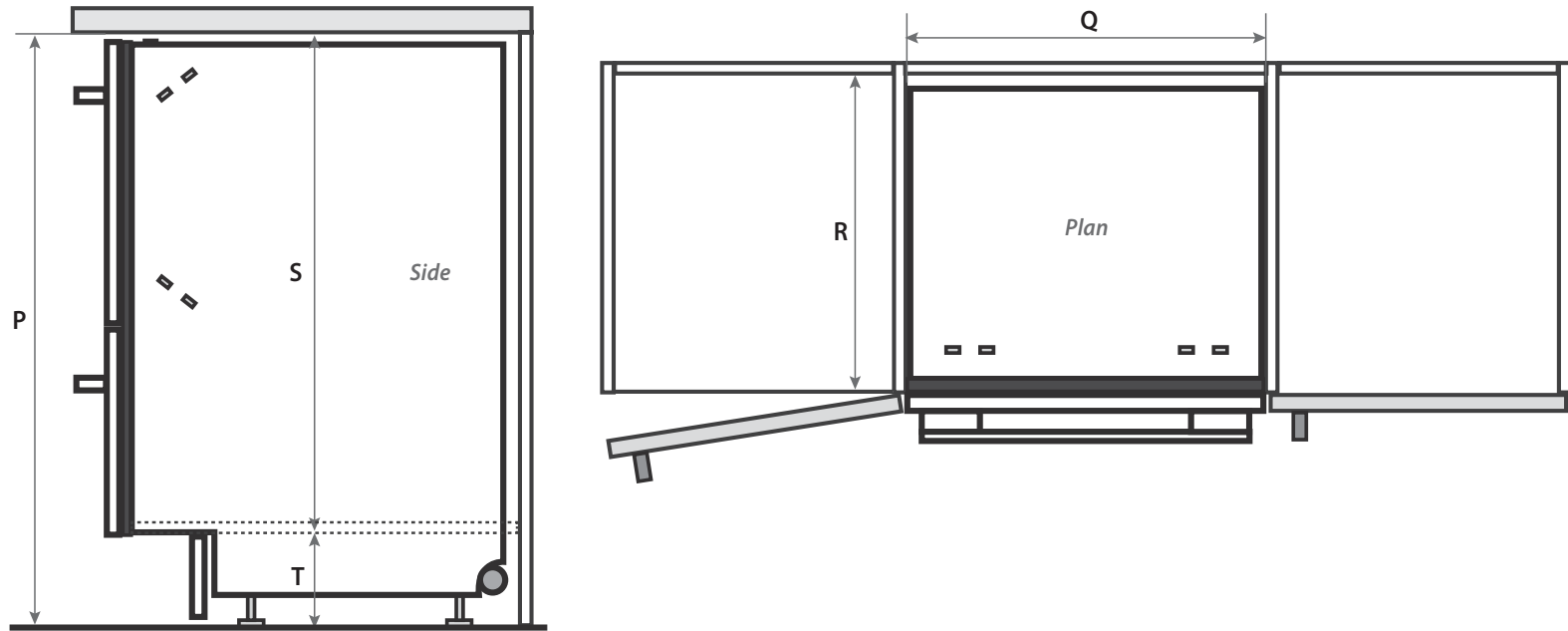
Product dimensions (mm)

	Classic	Designer	Integrated Remote control	Integrated Badge controls
A overall height ¹ of product	820-880 ²	820-880 ²	820-880 ²	820-880 ²
B overall width of product	599	599	599	599
C overall depth of product (excl. handle)	582	571	571 ³	571 ³
D depth of chassis (to back of front panel)	553	553	553	553
E maximum extension of drawer (excl. handle)	556	545	545 ³	545 ³
F depth of front panel (excl. handle)	29	18	16 -20	16 -20
G height ¹ of chassis	811	811	811	811
H height of levelling feet	9-69 ²	9-69 ²	9-69 ²	9-69 ²
I depth of handle	n/a	41	n/a	n/a
J depth of toekick recess (to back of front panel) ⁴	30-50	30-50	30-84 ⁵	30-84 ⁵
K height of upper front panel	394	398	min. 398	min. 398
L ventilation gap between front panels	5	8	min. 8	min. 8
M height of toekick panel (adjustable)	70 - 120	70 - 120	70 - 120	70 - 120
N height of drawer fronts	711	717	min. 717	min. 717
O height from top of handle to top of front panel	n/a	64	n/a	n/a

¹includes 2mm high bracket slots ²depending on adjustment of levelling feet ³assuming front panel thickness of 18 mm ⁴adjustable to match toekick recess on adjoining cabinetry

⁵assuming custom toekick panel thickness of 18 mm; if recess is between 50 and 84 mm deep, the panel will need to be cut out - see step 'Custom panel calculations'

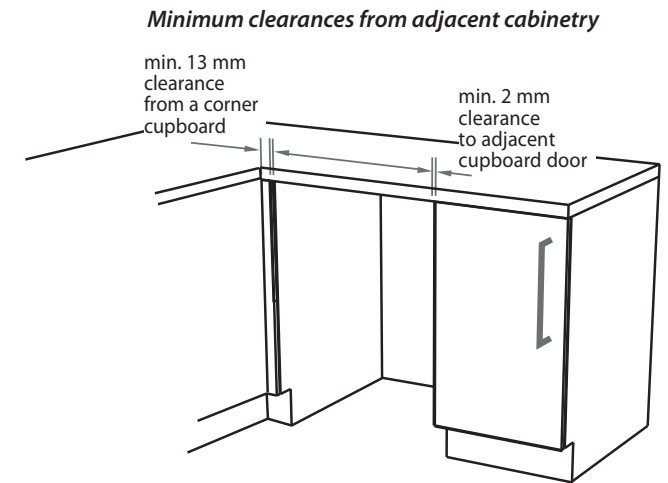
5 CABINETS DIMENSIONS



Cabinetry dimensions (mm)

	Classic	Designer	Integrated Remote control	Integrated Badge controls
P inside height of cavity*	min. 820	min. 820	min. 820	min. 820
Q inside width of cavity	600	600	600	600
R inside depth of cavity	min. 560	min. 560	min. 560	min. 560
S recommended height of adjacent cabinet space	720	720	min. 720	min. 720
T height of toekick space*	100 - 160	100 - 160	100 - 160	100 - 160

*depending on adjustment of levelling feet



6 INTEGRATED MODELS ONLY - CUSTOM PANEL CALCULATIONS

The following calculations assume the top of the upper panel is aligned with the top of the adjacent cabinetry. The final panel/cabinetry alignment is achieved by adjusting the feet:

WIDTH OF ALL PANELS

Measure **A** (the width between adjacent door/drawer fronts) and write it in the first box below, then complete the equation.

$$\text{A} - 2 \times \text{clearance to adjacent cabinet front (min. 2 mm)} = \text{WIDTH OF PANEL (min. 596 mm)}$$

HEIGHT OF THE UPPER PANEL

$$\text{minimum height (398 mm)} + \text{upper panel extension (0 mm recommended)} = \text{HEIGHT OF UPPER PANEL}$$

Note: The 'upper panel extension' **B** allows for the top of the upper panel to extend above the chassis where required.

HEIGHT OF THE LOWER PANEL

Measure **C** (door/drawer height (or equivalent)) and write it in the first box below, then complete the equation.

$$\text{C (min 717 mm + B)} - \text{height of upper panel} - \text{ventilation gap (min. 8 mm)} = \text{HEIGHT OF LOWER PANEL (min. 311 mm)}$$

HEIGHT OF THE TOEKICK PANEL

Measure **D** (height from the top of adjacent cabinet door fronts to the floor) and write it in the first box below, then complete the equation.

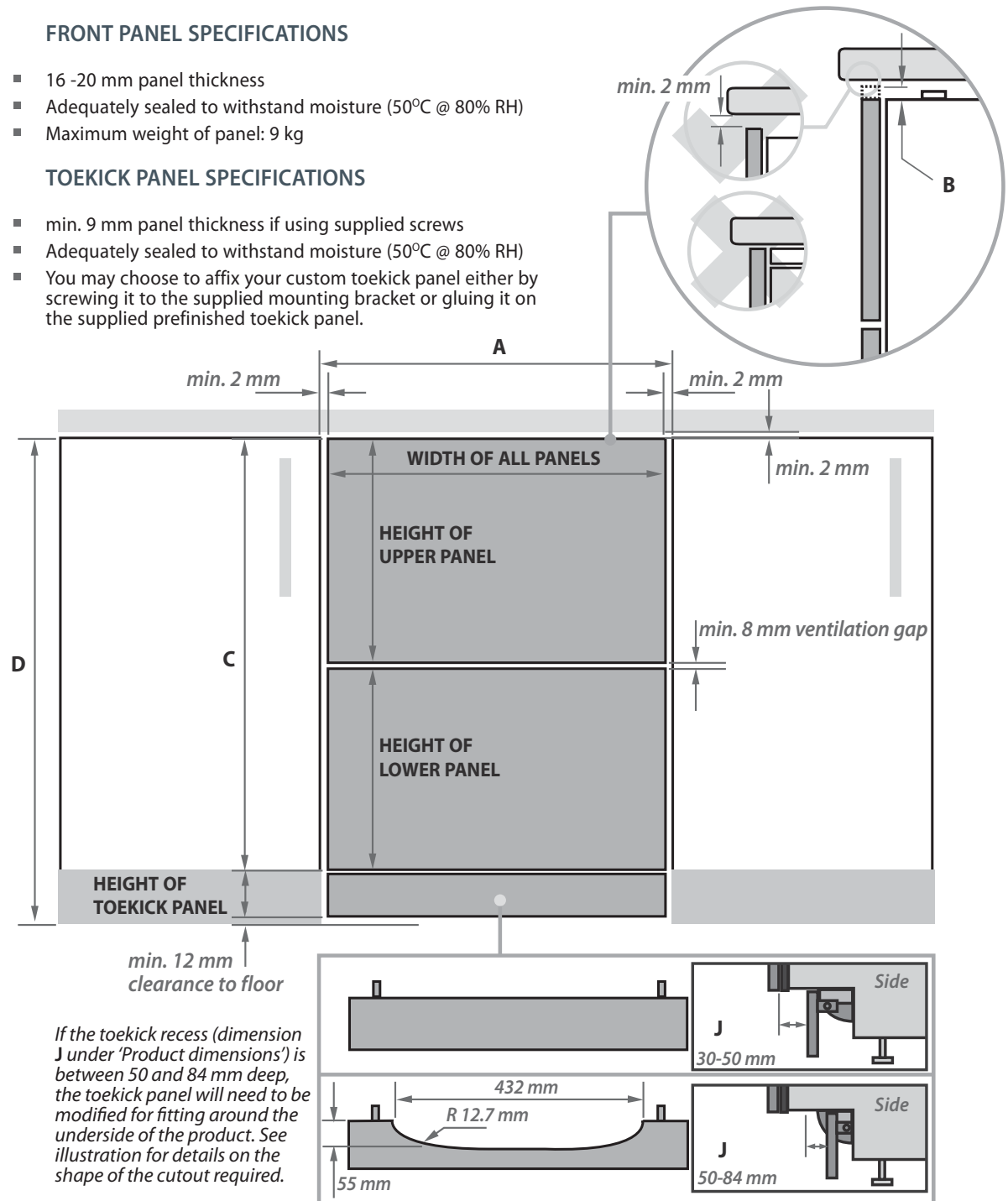
$$\text{D} - \text{upper panel extension (0 mm recommended)} - \text{height from top of product to toekick panel mounting point (-735 mm)} - \text{clearance to floor (min. 12 mm)} = \text{HEIGHT OF TOEKICK PANEL (min. 70 mm)}$$

FRONT PANEL SPECIFICATIONS

- 16 -20 mm panel thickness
- Adequately sealed to withstand moisture (50°C @ 80% RH)
- Maximum weight of panel: 9 kg

TOEKICK PANEL SPECIFICATIONS

- min. 9 mm panel thickness if using supplied screws
- Adequately sealed to withstand moisture (50°C @ 80% RH)
- You may choose to affix your custom toekick panel either by screwing it to the supplied mounting bracket or gluing it on the supplied prefinished toekick panel.

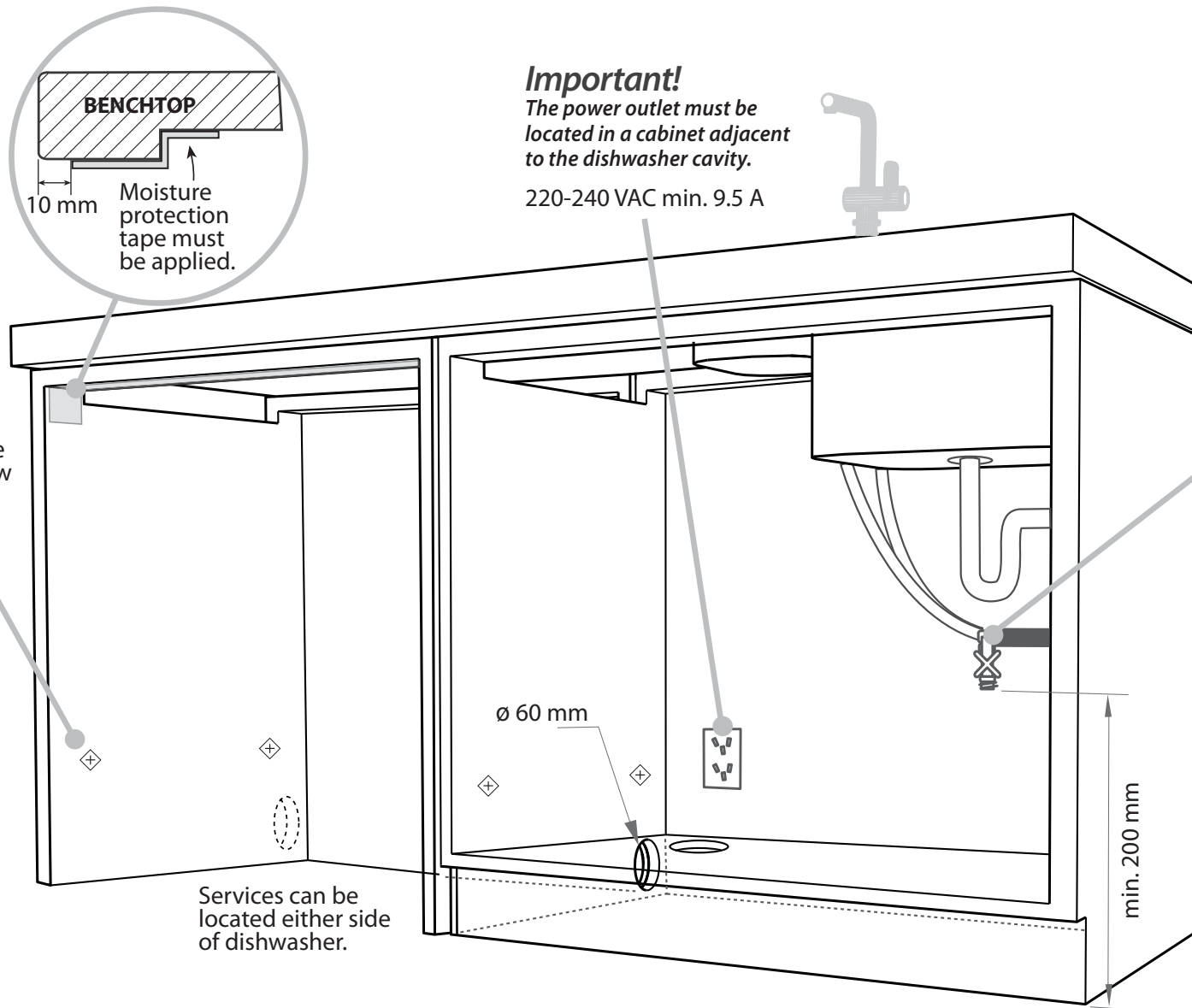


If the toekick recess (dimension J under 'Product dimensions') is between 50 and 84 mm deep, the toekick panel will need to be modified for fitting around the underside of the product. See illustration for details on the shape of the cutout required.

7 CAVITY PREPARATION

Important!
The power outlet must be located in a cabinet adjacent to the dishwasher cavity.

220-240 VAC min. 9.5 A



BENCHTOP
10 mm
Moisture protection tape must be applied.

These marks indicate formed bracket screw locations, if securing by drawer removal.

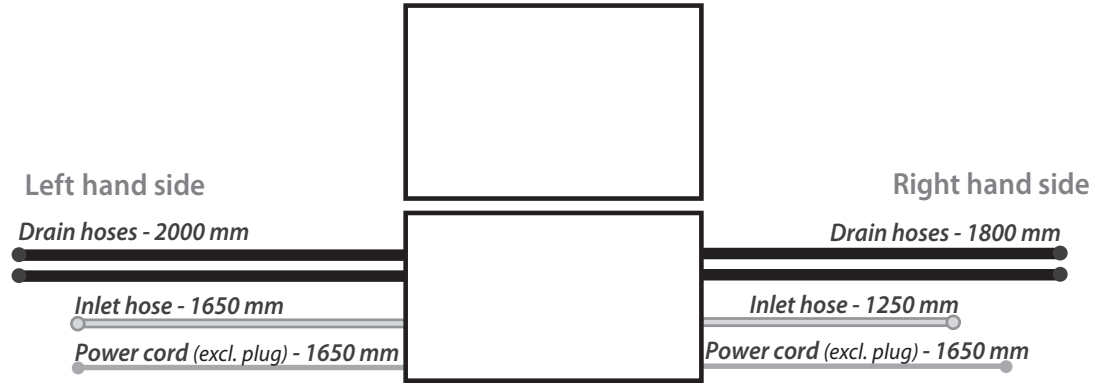
Services can be located either side of dishwasher.

Water Connection
Recommended COLD (Maximum 60°C).
¾" BSP (GB20) to suit flat washer.

Water Pressure
Water softener models
Max. 1 MPa (145 psi)
Min. 0.1 MPa (14.5 psi)
Models without water softener
Max. 1 MPa (145 psi)
Min. 0.03 MPa (4.3 psi)

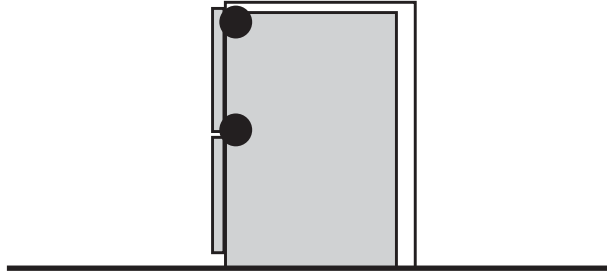
Kosher requirements
Drains will need to be separated to satisfy kosher requirements. We suggest you confirm acceptability with your local rabbi in respect to kosher installations.

8) MAXIMUM DISTANCE OF HOSES & CORD FROM CHASSIS EDGE

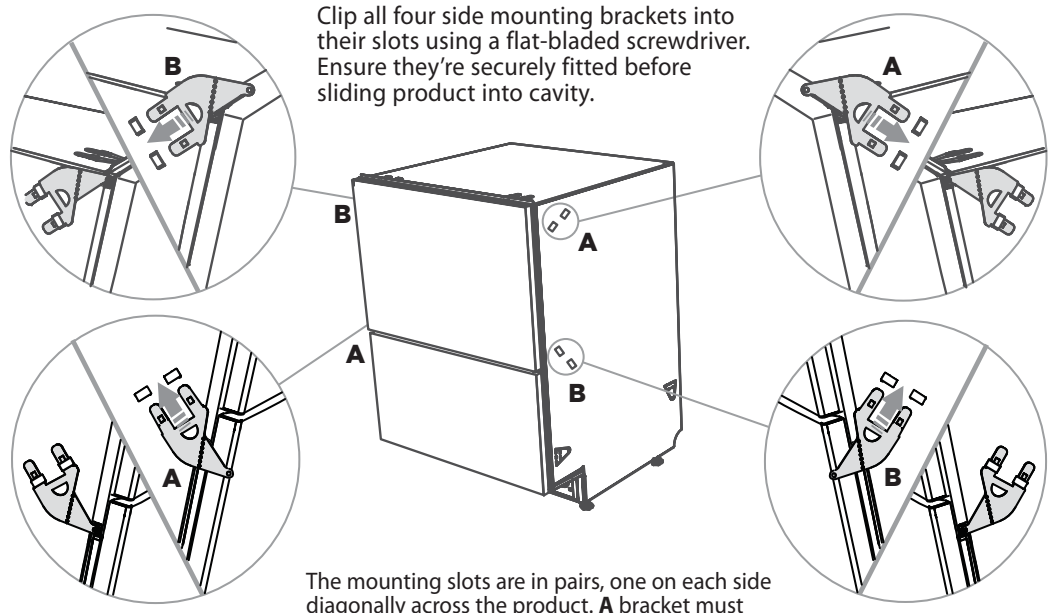


NOW CHOOSE WHICH INSTALLATION METHOD (a) or (b) IS MORE SUITABLE FOR YOUR CABINETRY...

RECOMMENDED METHOD (a) - SECURE WITHOUT DRAWER REMOVAL (FRAMELESS CABINETRY ONLY)



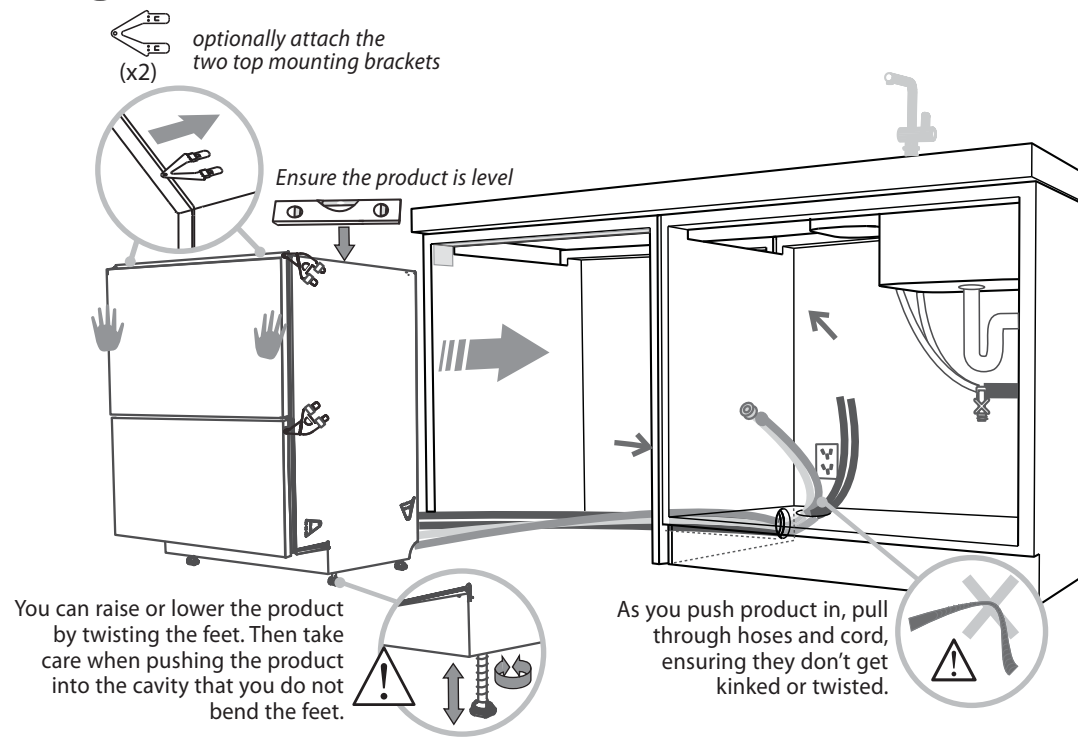
9a) ATTACH SIDE MOUNTING BRACKETS



Clip all four side mounting brackets into their slots using a flat-bladed screwdriver. Ensure they're securely fitted before sliding product into cavity.

The mounting slots are in pairs, one on each side diagonally across the product. **A** bracket must match **A** slot and **B** bracket must match **B** slot.

10a) PULL THROUGH HOSES & PUSH INTO THE CAVITY



optionally attach the two top mounting brackets (x2)

Ensure the product is level

You can raise or lower the product by twisting the feet. Then take care when pushing the product into the cavity that you do not bend the feet.

As you push product in, pull through hoses and cord, ensuring they don't get kinked or twisted.

11a) SECURE TO THE CABINETRY ON THE SIDES

Open the drawer halfway. Using a flat-bladed screwdriver, prise the grey rubber plug out of the trim moulding.

Replace the grey rubber plug back into the trim moulding and ensure the trim seal is facing forward.

Using a small Philips screwdriver, screw through the trim moulding, securing the side mounting bracket to the cabinetry. Do not damage the rubber trimseal.

Repeat for all four brackets.

12a) OPTIONALLY SECURE TO THE CABINETRY ABOVE

(x2)

The top mounting brackets will only bend upwards a maximum of 10 mm.

13a) FIT THE SUPPLIED TOEKICK PANEL (OPTIONAL FOR INTEGRATED MODELS)

Where the toekick meets the bottom of the tub is the cut-off point

Mark this point on the toekick with a pencil

Lay the toekick face down on a chopping board or similar

Turn the toekick over and score along the same line

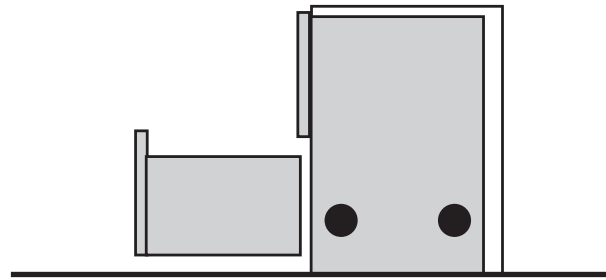
Smooth the edge with a file. Be careful of sharp edges.

Slide the toekick onto the mounting rails either side and screw the toekick onto the bottom of tub on either side.

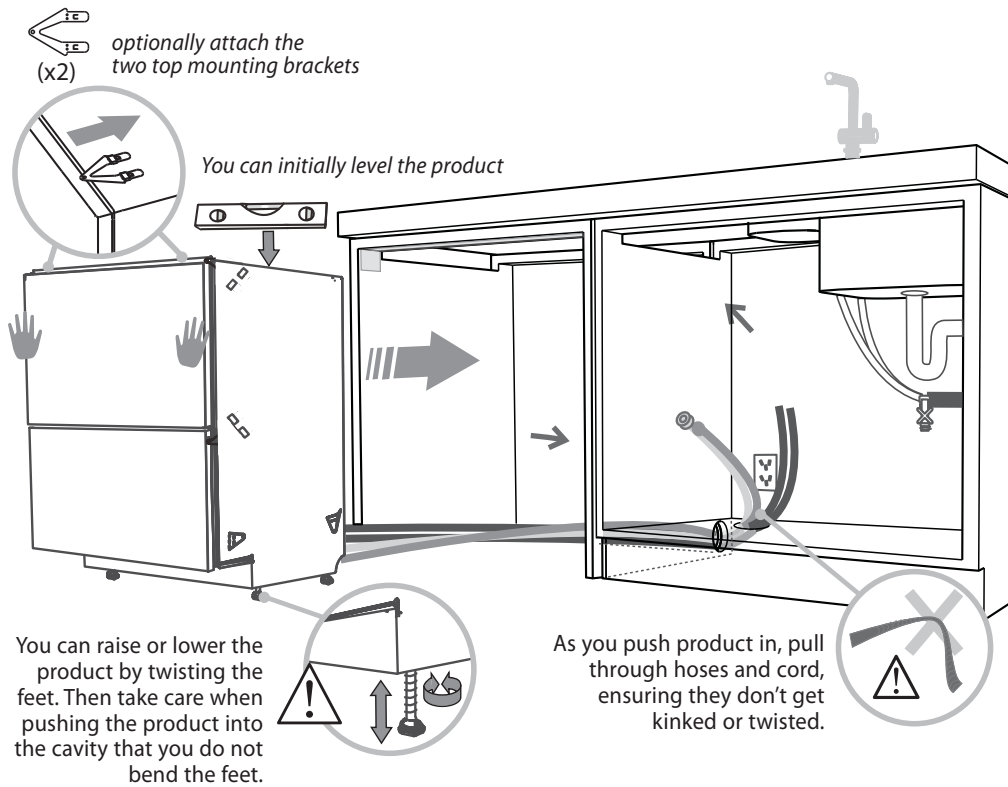
Important!
Do not overtighten screw.

Mounting rail

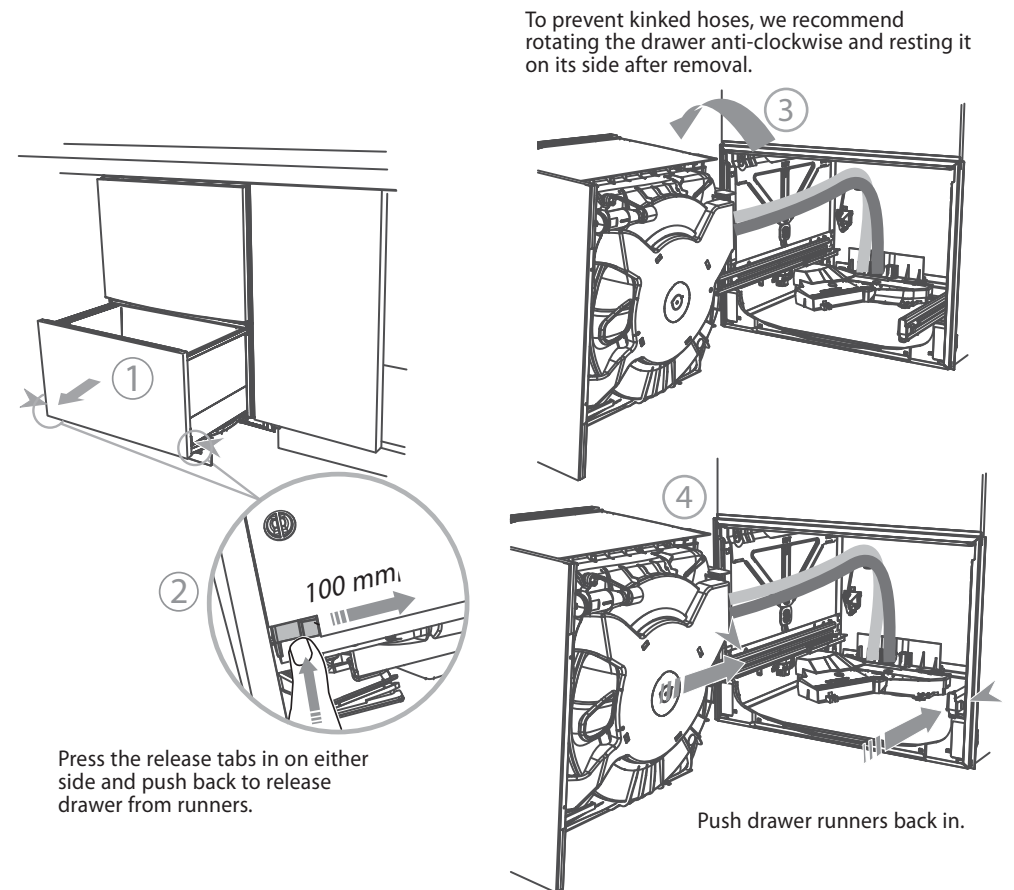
ALTERNATIVE METHOD (b) - SECURE BY DRAWER REMOVAL



9b) PULL THROUGH HOSES & PUSH INTO THE CAVITY

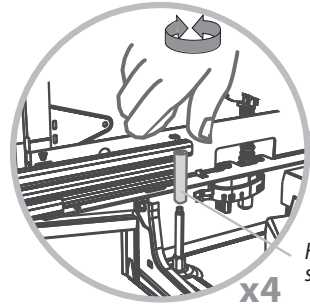


10b) REMOVE THE LOWER DRAWER



11b SECURE TO THE CABINETRY ON THE SIDES

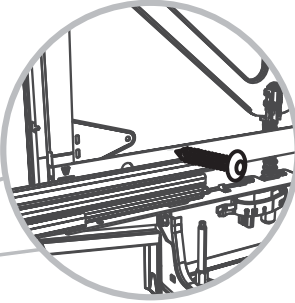
For further adjustment, using the most appropriate length Hexagonal socket supplied, fully extend levelling feet up to required distance by hand.



x4

Hexagonal socket

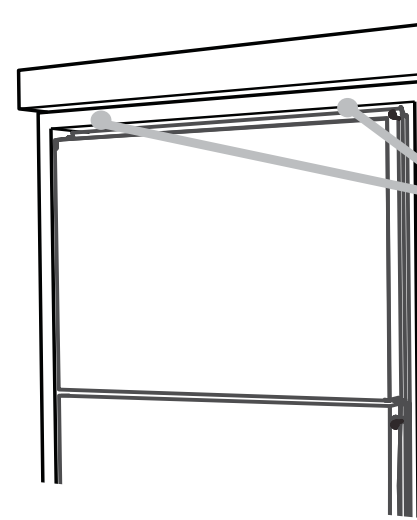
To access the side brackets, you might have to push aside the insulation. After securing, ensure the sound insulation is repositioned correctly.



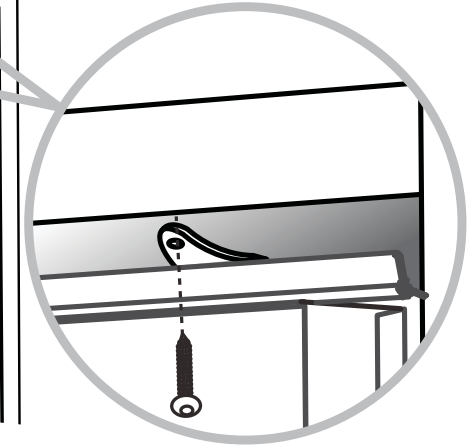
Secure using two pairs of formed brackets. Repeat on the other side of the chassis.

Ensure product is level and aligning with cabinetry.

12b OPTIONALLY SECURE TO THE CABINETRY ABOVE

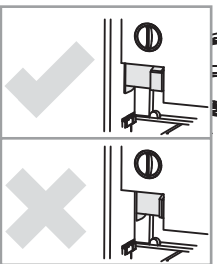
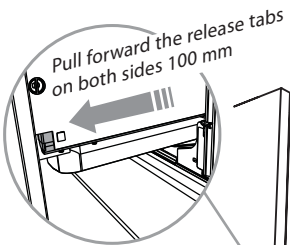


The top mounting brackets will only bend upwards a maximum of 10 mm.

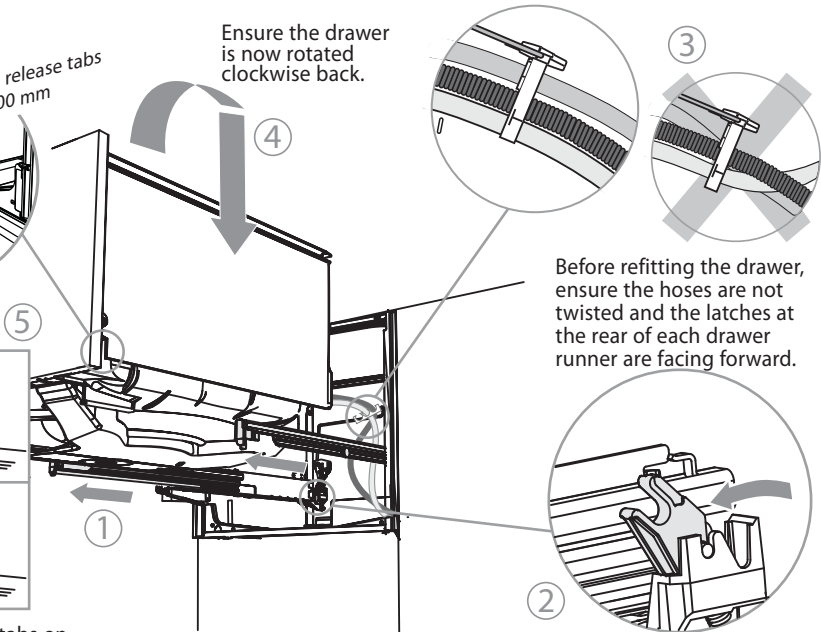


13b REFIT THE DRAWER ONTO THE RUNNERS

Ensure the drawer is now rotated clockwise back.



Ensure the release tabs on both sides are reset fully.



Before refitting the drawer, ensure the hoses are not twisted and the latches at the rear of each drawer runner are facing forward.

2

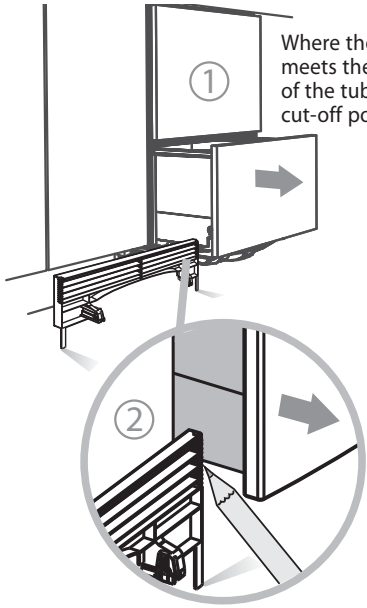
3

4

5

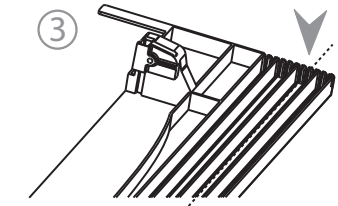
1

14b) FIT THE SUPPLIED TOEKICK PANEL (OPTIONAL FOR INTEGRATED MODELS)

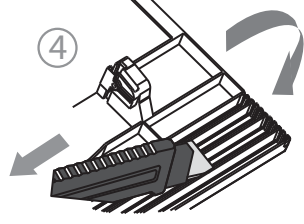


Where the toekick meets the bottom of the tub is the cut-off point

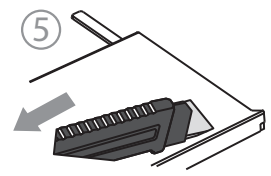
Mark this point on the toekick with a pencil



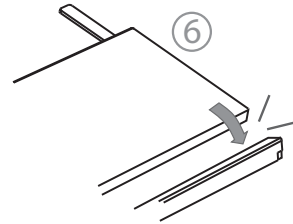
Lay the toekick face down on a chopping board or similar



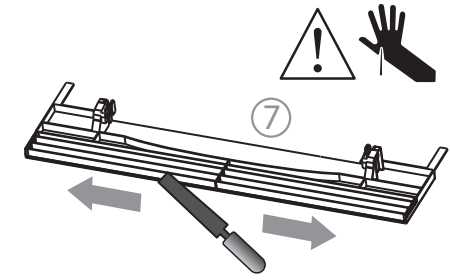
Score along with a knife



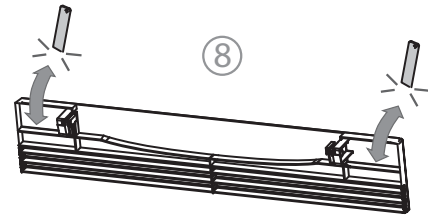
Turn the toekick over and score along the same line



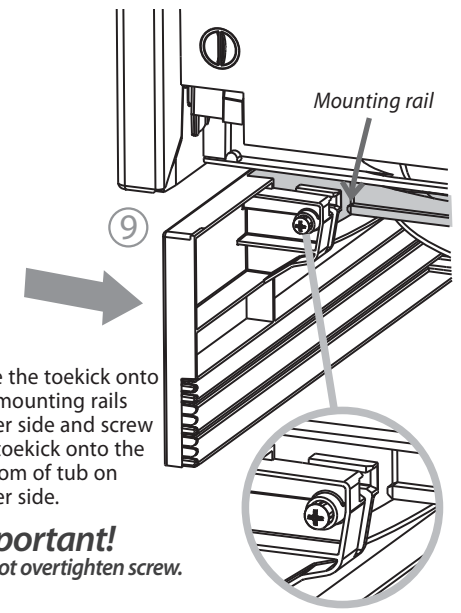
Gently snap off the excess



Smooth the edge with a file. Be careful of sharp edges.



Snap off the two end tabs

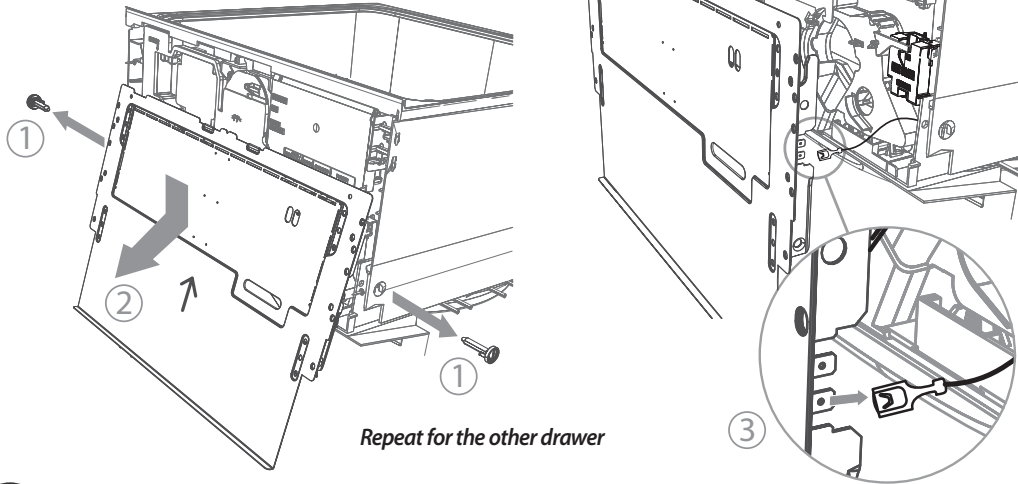


Slide the toekick onto the mounting rails either side and screw the toekick onto the bottom of tub on either side.

Important!
Do not overtighten screw.

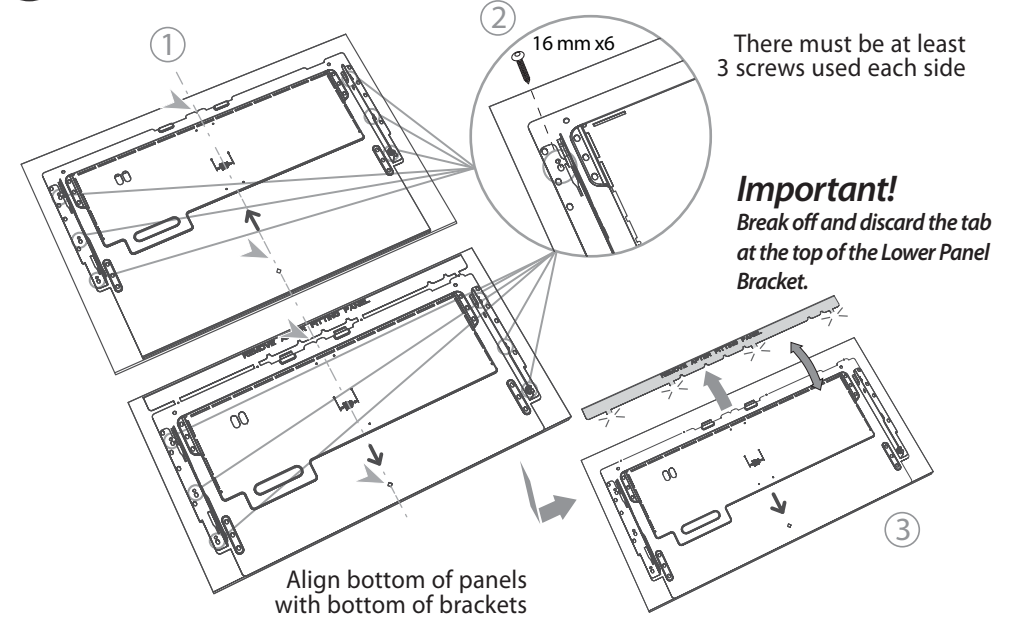
15a REMOVE BRACKETS FROM PRODUCT

WARNING!
Electrical Shock Hazard
 Before continuing, ensure that the product is disconnected from the power supply.
 Failure to follow this warning may result in electrical shock, injury or fire.



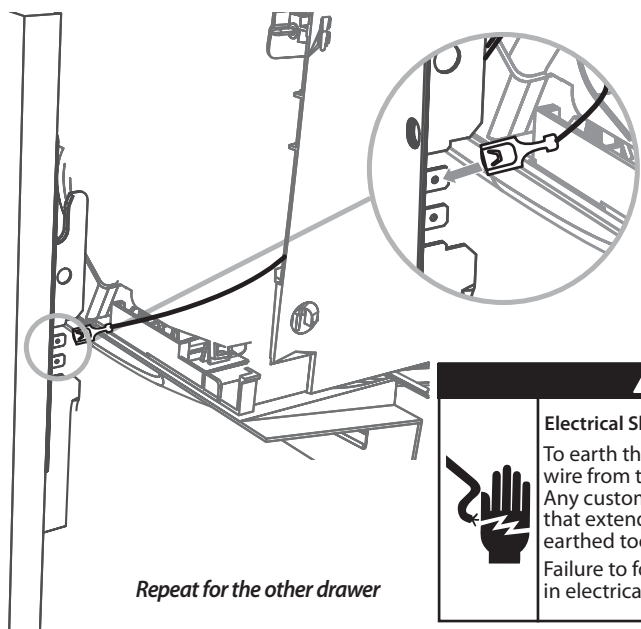
Repeat for the other drawer

16a ATTACH PANELS TO PANEL BRACKETS



Align bottom of panels with bottom of brackets

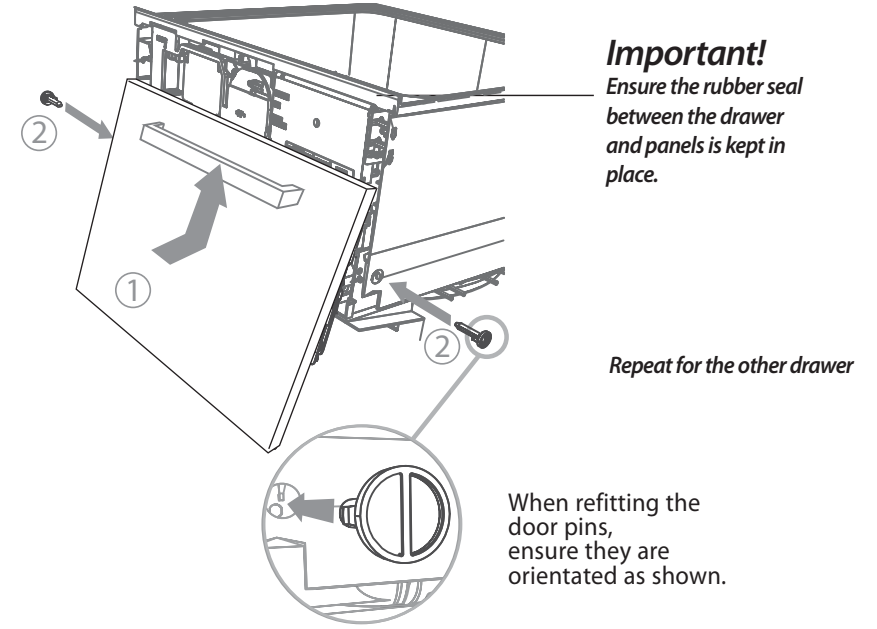
17a EARTH THE PANELS



Repeat for the other drawer

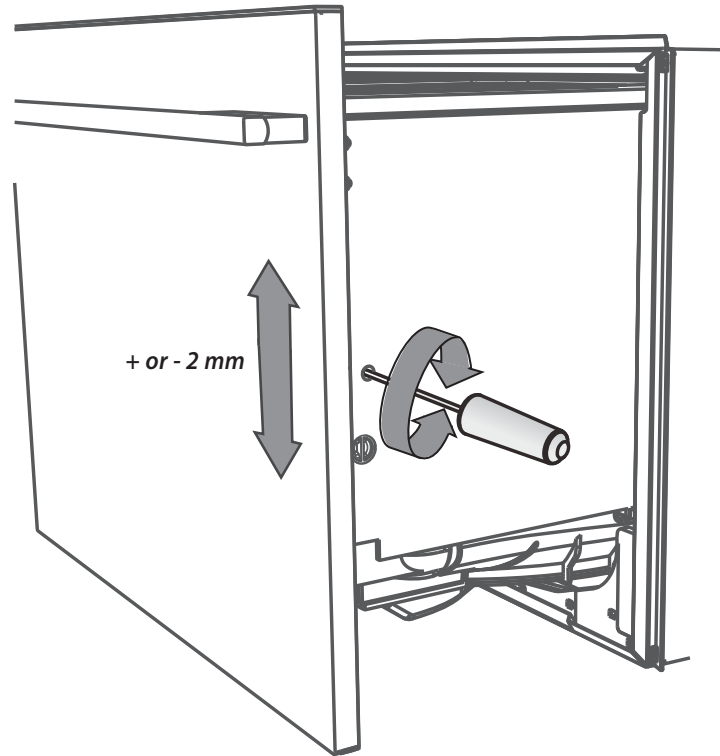
WARNING!
Electrical Shock Hazard
 To earth the panel bracket, connect the earth wire from the product to one of the tabs. Any custom metal component (e.g. handle) that extends past the rubber seal must be earthed too.
 Failure to follow these warnings may result in electrical shock, injury or fire.

18a ATTACH PANELS TO PRODUCT



When refitting the door pins, ensure they are orientated as shown.

19a) ADJUST PANEL HEIGHT TO ALIGN THE CABINETRY GAPS



With the front panels fitted, insert an appropriately sized Philips screwdriver into the hole above the door pin and rotate the panels up or down to align the gaps in your cabinetry.

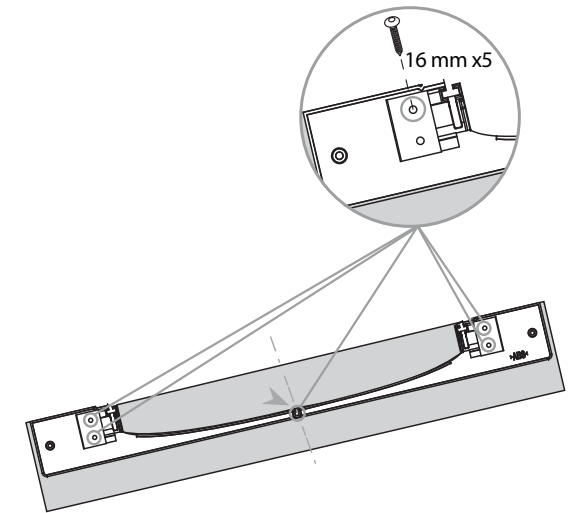
Repeat on the other side if necessary.

Each panel has a maximum travel of 2 mm up or down.

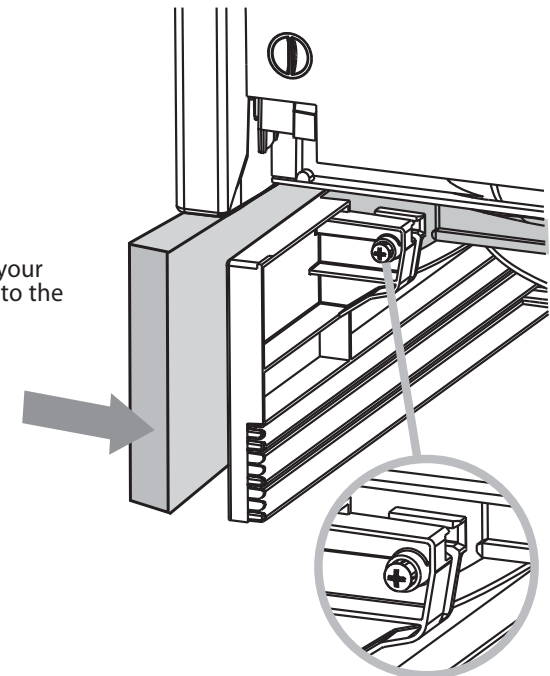
Important!

Ensure that you maintain a minimum of 8 mm ventilation gap between the upper and lower panels.

20a) FITTING A CUSTOM TOEKICK PANEL

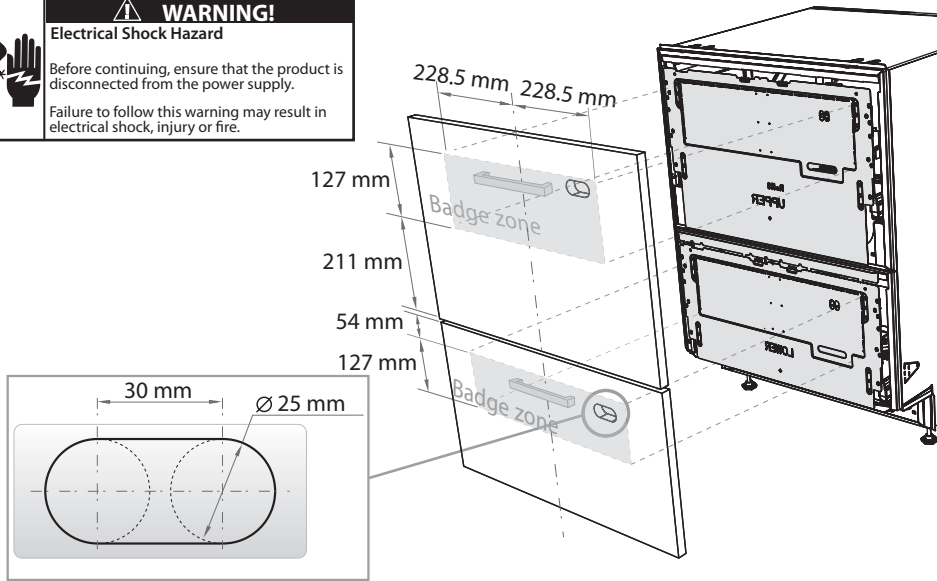


You can optionally glue your custom toe kick panel onto the supplied panel

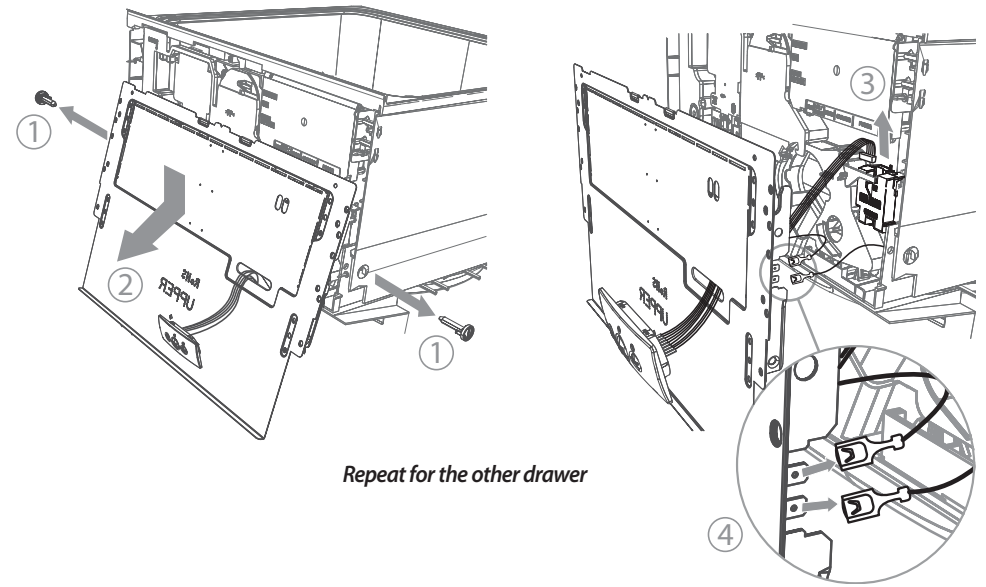


15b) DETERMINE BADGE CUTOUT LOCATIONS

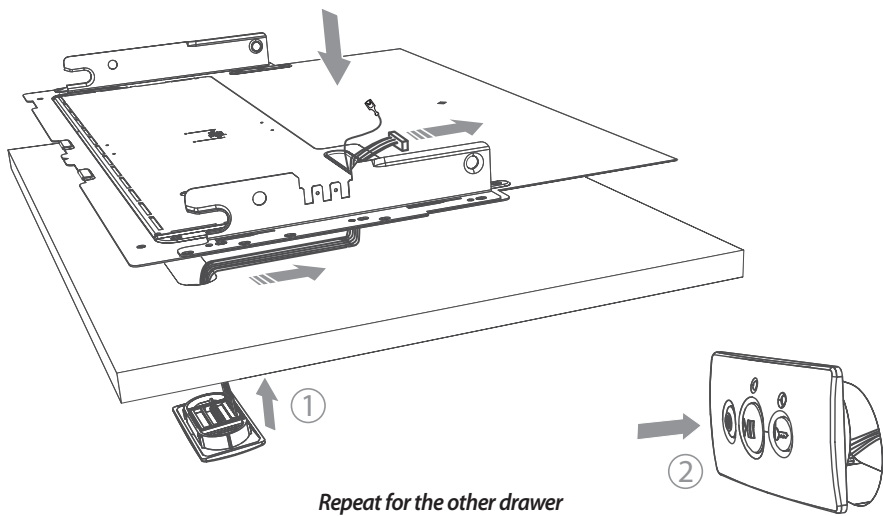
WARNING!
Electrical Shock Hazard
 Before continuing, ensure that the product is disconnected from the power supply.
 Failure to follow this warning may result in electrical shock, injury or fire.



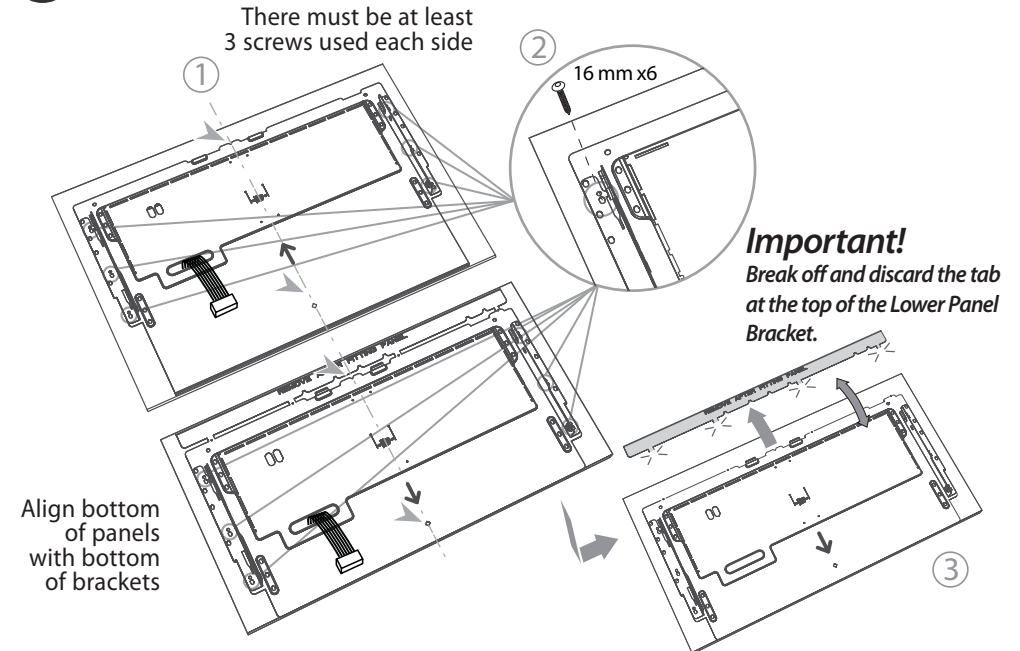
16b) REMOVE BRACKETS & DISCONNECT BADGES



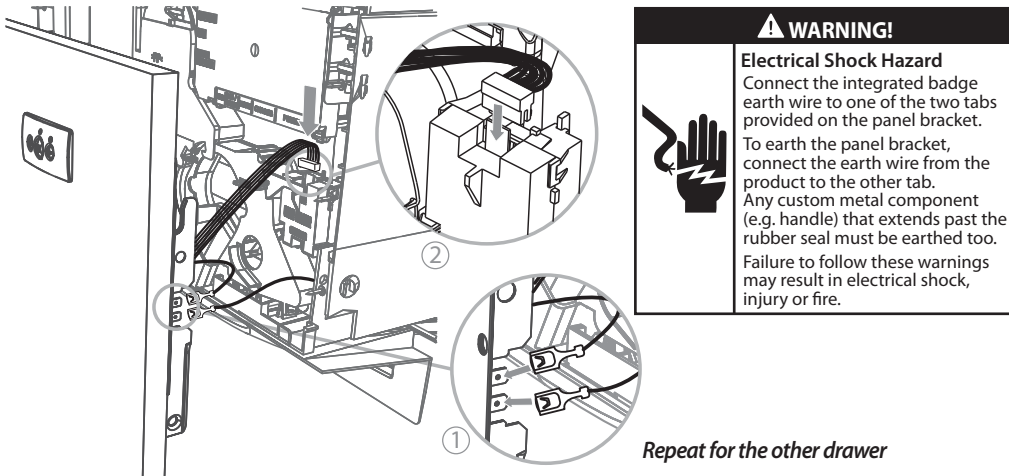
17b) ROUTE BADGE WIRING THROUGH PANEL



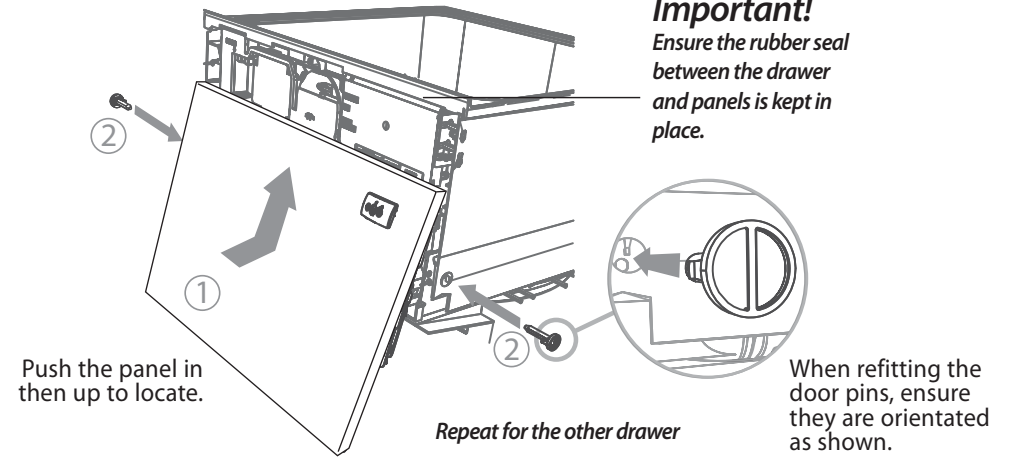
18b) ATTACH PANELS TO PANEL BRACKETS



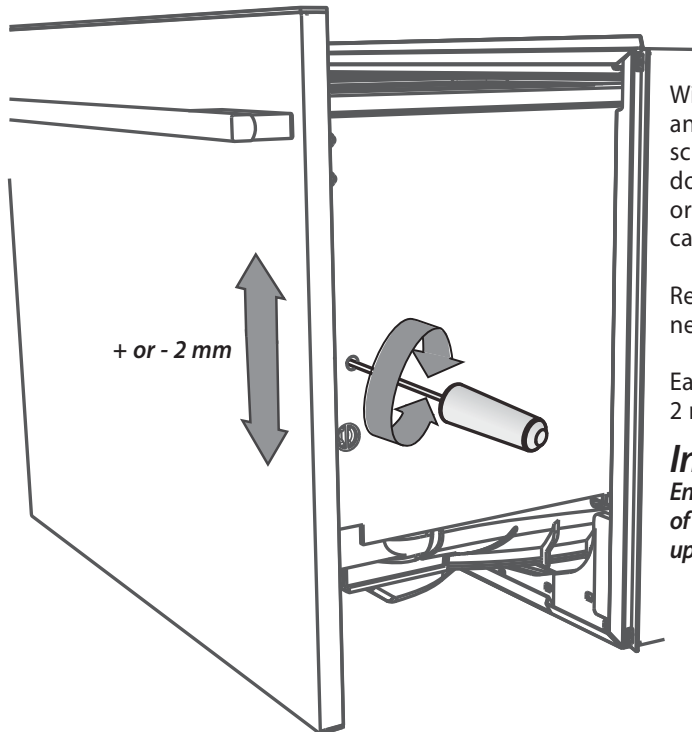
19b) REATTACH BADGES & EARTH THE PANELS



20b) ATTACH PANELS TO PRODUCT



21b) ADJUST PANEL HEIGHT TO ALIGN THE CABINETRY GAPS



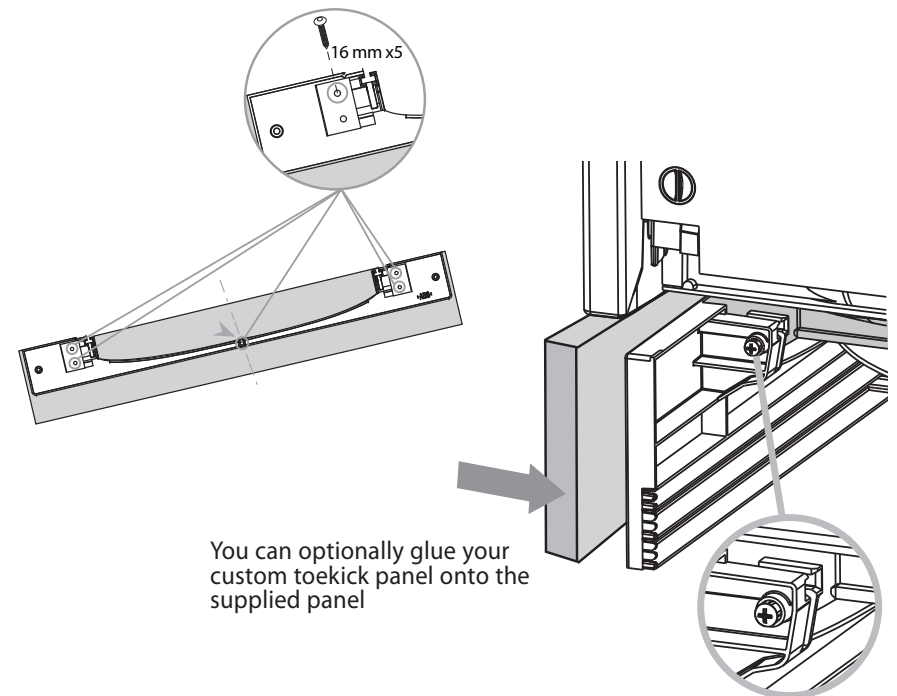
With the front panels fitted, insert an appropriately sized Philips screwdriver into the hole above the door pin and rotate the panels up or down to align the gaps in your cabinetry.

Repeat on the other side if necessary.

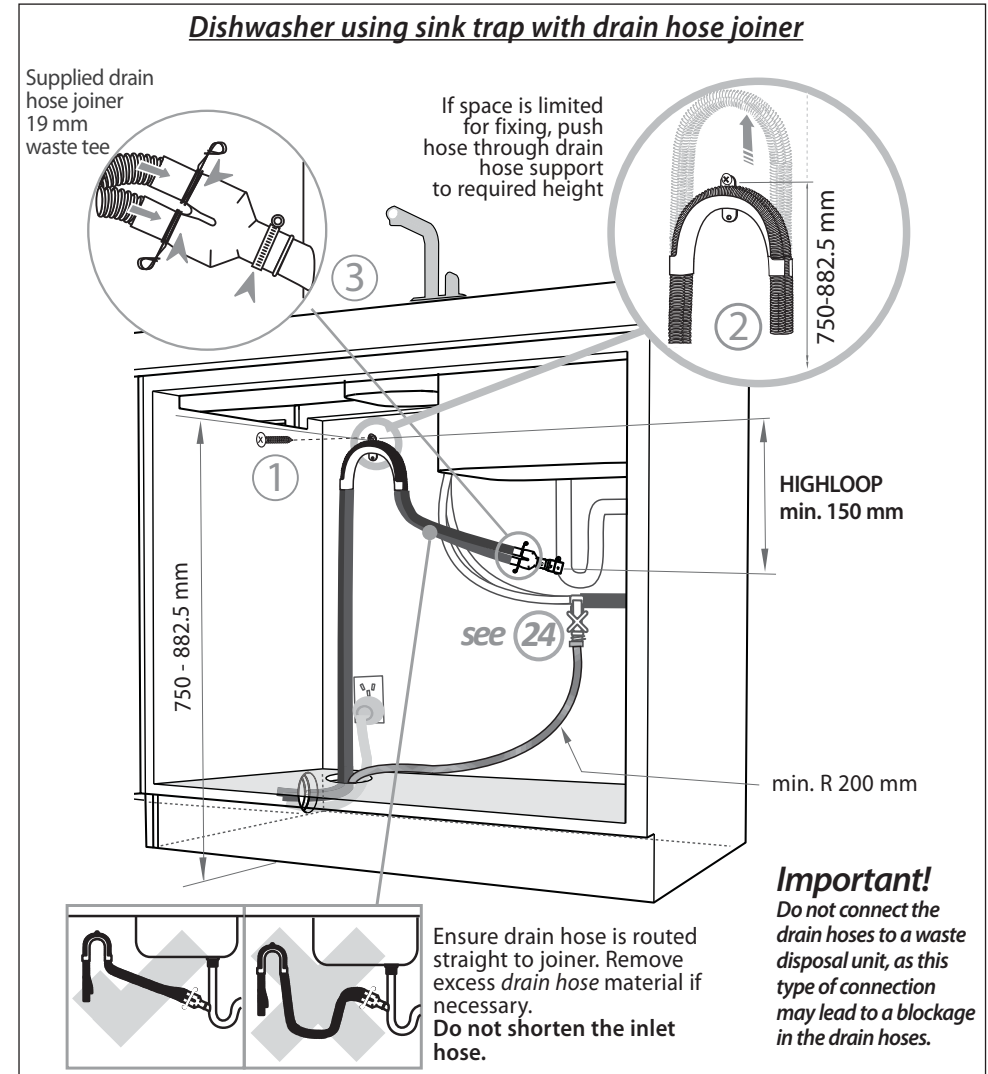
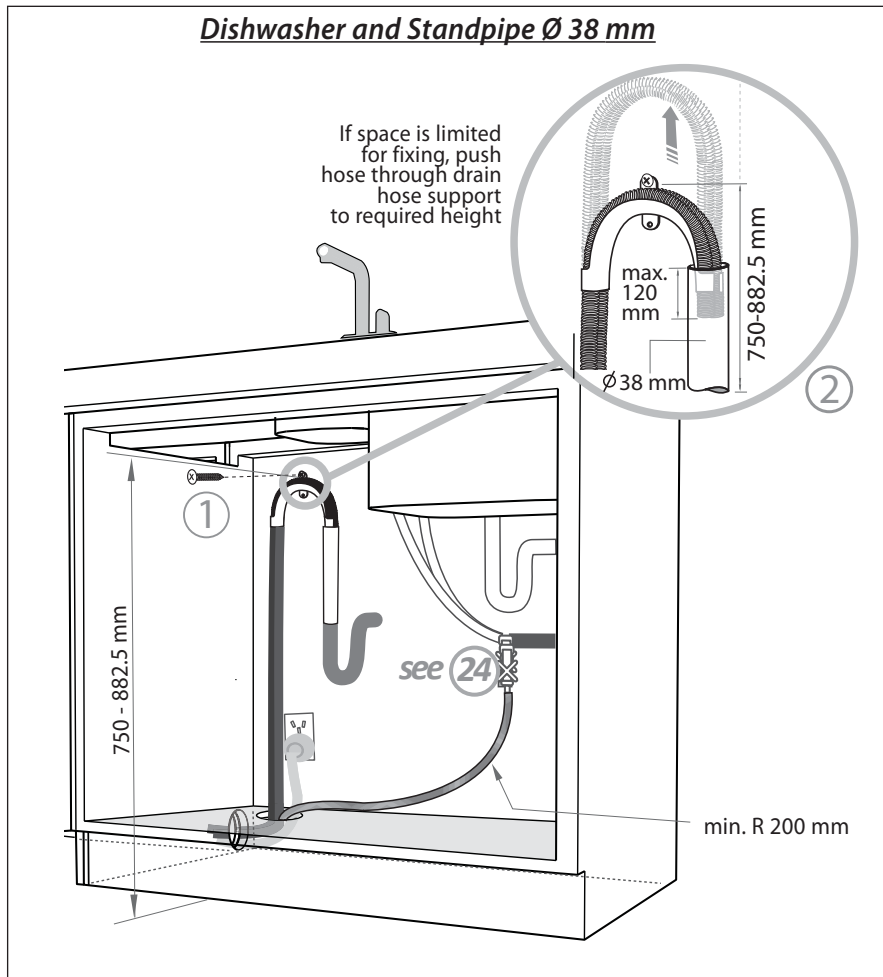
Each panel has a maximum travel of 2 mm up or down.

Important!
 Ensure that you maintain a minimum of 8 mm ventilation gap between the upper and lower panels.

22b) FITTING A CUSTOM TOEKICK PANEL

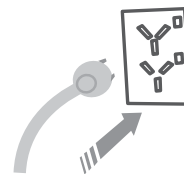
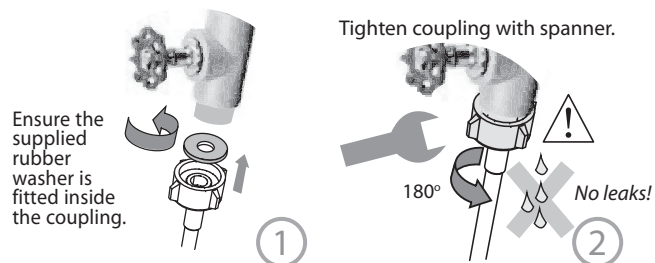


23) THERE ARE TWO DIFFERENT PLUMBING AND DRAINAGE OPTIONS. CHOOSE WHICH IS MORE SUITABLE.



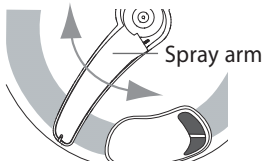
24) CONNECT INLET HOSE TO COLD WATER

25) PLUG PRODUCT IN



26 FINAL CHECKLIST

- ✓
- Check all parts are installed.
- Ensure that all panels and parts thereof are secure and final electrical tests have been conducted in accordance with local electrical regulations.
- Ensure product is level, securely fastened to the cabinetry and opens and closes freely. The drawers must be free to fully close with no resistance from the cabinetry.
- Ensure inlet hose to water supply has supplied rubber washer fitted, and that it's tightened a further half turn after seal contact.
- Ensure any knockouts or plugs in drain connection have been drilled out and drain connection has been made.
- The drain hose joiner must not support the weight of excess hose material. Keep drain hose as fully extended as possible to prevent sagging. Any excess length of drain hose should be kept on the dishwasher side of the highloop.
- If connecting the drain hose to the sink trap, ensure the Highloop is a minimum 150 mm higher than the drain hose joiner.
- Ensure any packaging or tape securing the racks is removed from the drawers.
- Turn on the power and water supplies, then open the drawers. You should hear a beep and see a program indicator light up on the internal control panel.
- Check the spray arms are in place and free to rotate.



- Add three cups of water into the drawer. Press ► on the internal control panel until the indicator of the 'Rinse' program lights up. Close the drawer and press ►► to start the program. Repeat for the other drawer.
- After the Rinse program has finished, ensure the dishwasher has run and drained correctly.
- Check water supply and drainage connection for leakage.

27 TROUBLESHOOTING

- **Excessive water remaining above the filter plate, after the rinse cycle**
Check for a kinked drain hose, blocked waste connection, highloop not properly installed, drain hose not routed correctly or spray arms not in place.
- **No water supply (This is displayed as a 'U1' fault -- see section 'If there is a fault' in the User guide for how to recognise this fault on models without a display.)**
Check water is connected and turned on.
- **The dishwasher is beeping continuously**
There is a fault. See section 'If there is a fault' in the User guide for further information and instructions.
- **No program indicator lights up when the drawer is opened**
Ensure power is connected and is switched on. If it is and still no indicator lights up, see the 'Preference options' section of the 'Quick start guide'. An option called 'Open drawer auto power-on' may need to be turned on.
- **Water around water supply and drainage connections**
Check connections, existing plumbing and hoses for leaks. Check rubber washer and hose clamp are correctly fitted.
- **If product is tipping**
Ensure the product is secured to the cabinetry.
- **If front panels are misaligned**
Check and relevel product. Check the cabinetry is square. For Integrated models, check and adjust front panel alignment if necessary.
- **Drawer doesn't close properly**
Ensure nothing is obstructing the drawer from closing properly eg sound insulation, hoses or drawer latches.
- If a problem occurs, consult the 'Troubleshooting' section of the User guide.
- If after checking these points you still need assistance, please refer to the Service & Warranty book for warranty details and your nearest Authorised Service Centre, or contact us through our website, listed below.

Important! **SAVE THESE INSTRUCTIONS**

The models shown in this document may not be available in all markets and are subject to change at any time. For current details about model and specification availability in your country, please visit our website listed at the end of this document or contact your local Fisher & Paykel dealer.