

# INSTALLATION INSTRUCTIONS



## Built-in Oven



OB60S3, OB60S4, OB60S7,  
OB60SL & OB60B  
models

NZ AU

# ELBA

BY FISHER & PAYKEL

 <b>WARNING!</b>	
	<b>Electrical Shock Hazard</b> Always disconnect the appliance from the mains power supply before carrying out any maintenance or repairs. Connection to a good earth wiring system is essential and mandatory. Alterations to the domestic wiring system must only be made by a qualified electrician. Failure to follow this advice may result in electrical shock or death.

 <b>WARNING!</b>	
	<b>Fire Hazard</b> Do not use adapters, reducers, or branching devices to connect this appliance to the mains power supply. Failure to follow this advice may result in overheating, burning, or fire.

 <b>WARNING!</b>	
	<b>Hot Surface Hazard</b> Take care - panel edges are sharp. Failure to use caution could result in injury or cuts.

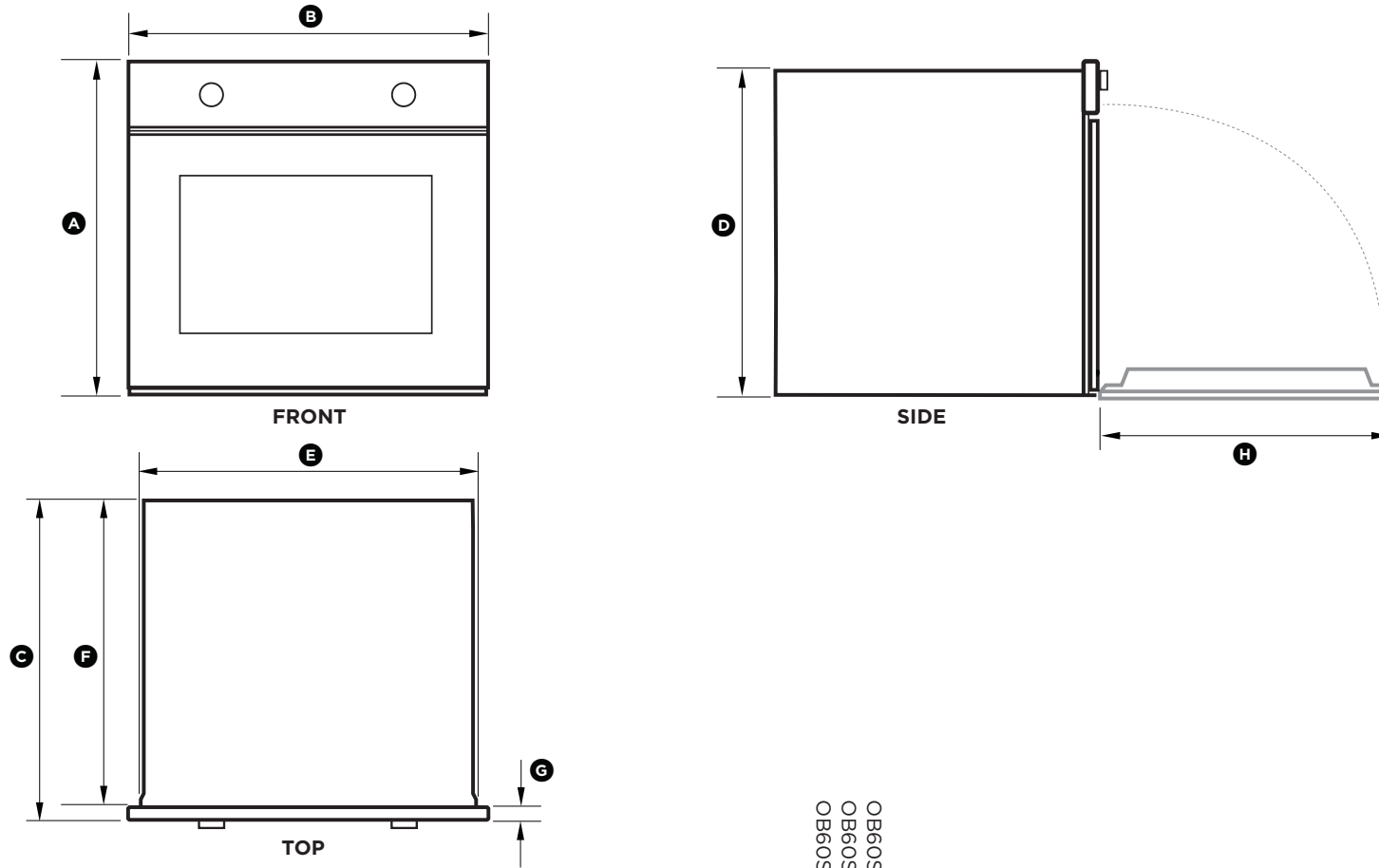
## IMPORTANT SAFETY INSTRUCTIONS

- To avoid hazard, follow these instructions carefully before installing or using this appliance.
- Please make this information available to the person installing the appliance - doing so could reduce your installation costs.
- This appliance must be installed and connected to the mains power supply only by a suitably qualified person according to these installation instructions and in compliance with any applicable local building and electricity regulations. Failure to install the appliance correctly could invalidate any warranty or liability claims.
- If the power supply cable is damaged, it must be replaced by the manufacturer, its service agent or similarly qualified person in order to avoid a hazard.

### IMPORTANT! SAVE THESE INSTRUCTIONS

The models shown in this installation guide may not be available in all markets and are subject to change at any time. For current details about model and specification availability in your country, please go to our website listed on the cover or contact your local ELBA by Fisher & Paykel dealer.

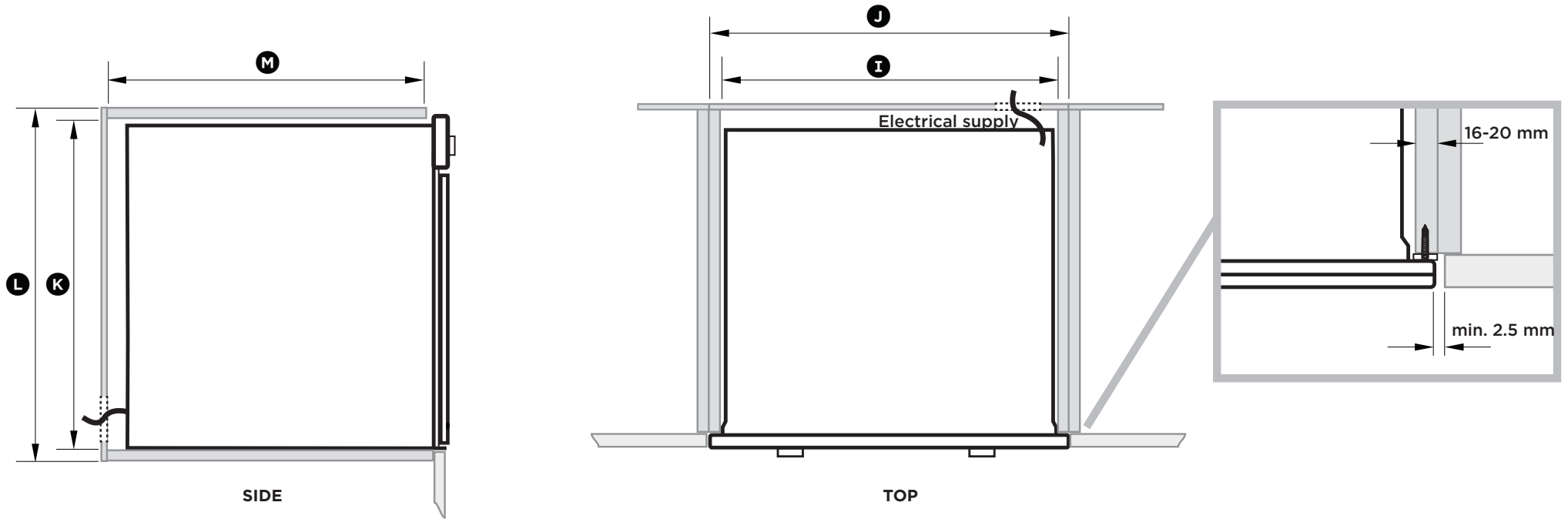
## ② PRODUCT DIMENSIONS (OB60S MODELS)



Product Dimensions	mm
Ⓐ Overall height* of product	597
Ⓑ Overall width of product	595
Ⓒ overall depth of product (excluding handle and knobs)	567
Ⓓ Height of chassis	582
Ⓔ Width of chassis	556
Ⓕ Depth of chassis	545
Ⓖ Depth of oven frame and control panel (=distance between front of chassis and front of oven door, excl. knobs)	22
Ⓗ depth of oven door when fully open (measured from front of control panel)	435

\*All height measurements include mounted feet.

② CABINETY DIMENSIONS (OB60S MODELS)

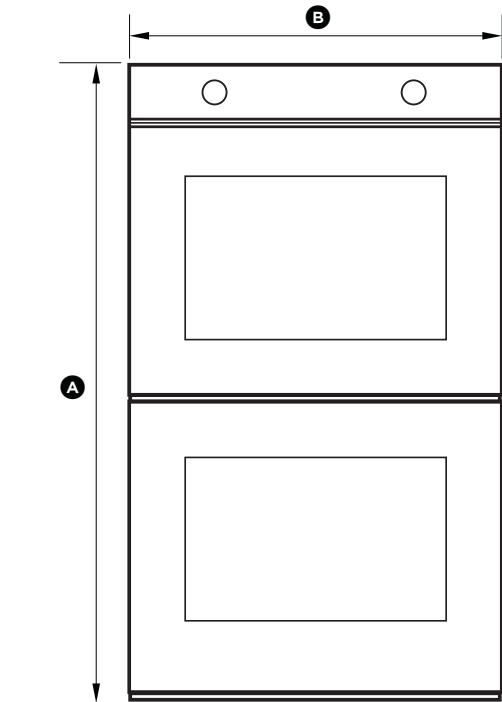


OB60S3  
OB60S4  
OB60S7

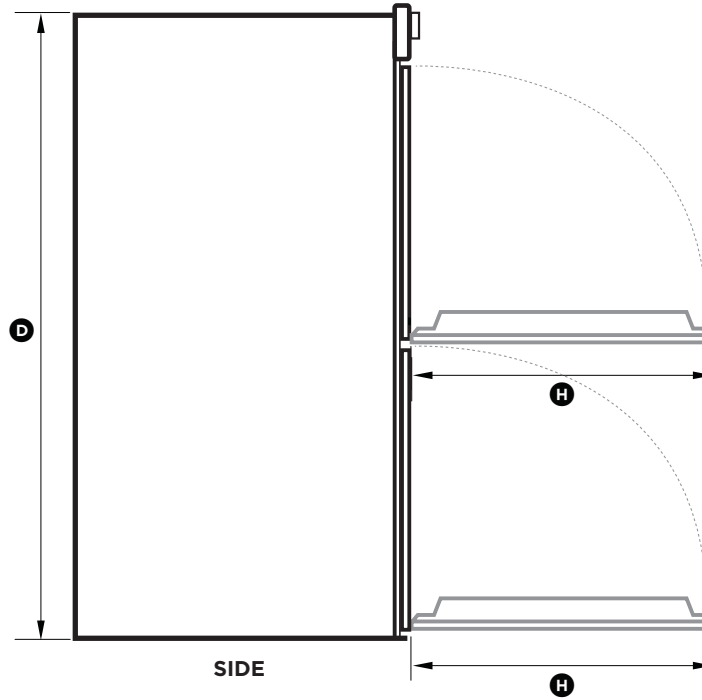
Cabinetry Dimensions	mm
ⓐ Minimum inside width of cavity	560
ⓑ Overall width of cavity	600
ⓒ Inside height of cavity	585
ⓓ Overall height of cavity	600
ⓔ Minimum inside depth of cavity	550

Note: If installing a cooktop above the oven, ensure adequate clearance is provided for the cooktop as per the cooktop manufacturer's instructions.

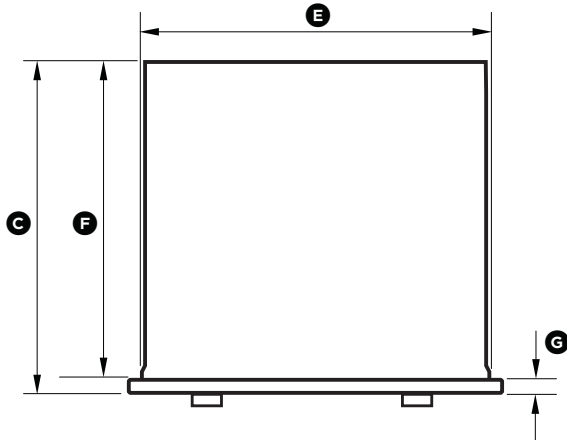
## ② PRODUCT DIMENSIONS (OB60B MODELS)



FRONT



SIDE



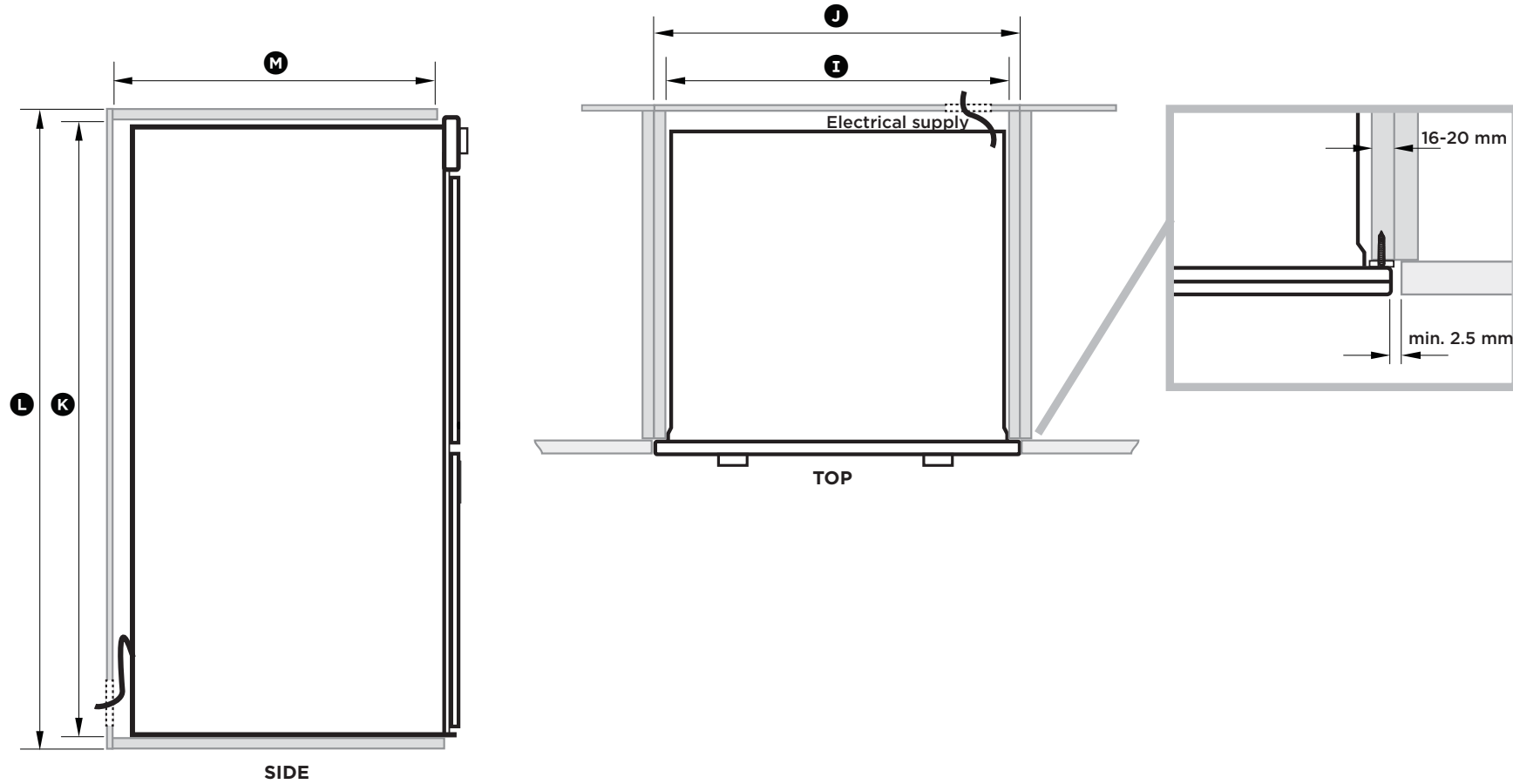
TOP

### Product Dimensions

	OB60B
	<b>mm</b>
Ⓐ Overall height* of product	888
Ⓑ Overall width of product	595
Ⓒ overall depth of product (excluding handle and knobs)	567
Ⓓ Height of chassis	874
Ⓔ Width of chassis	556
Ⓕ Depth of chassis	545
Ⓖ Depth of oven frame and control panel (=distance between front of chassis and front of oven door, excl. knobs)	22
Ⓗ depth of oven door when fully open (measured from front of control panel)	upper 261 lower 435

\*All height measurements include mounted feet.

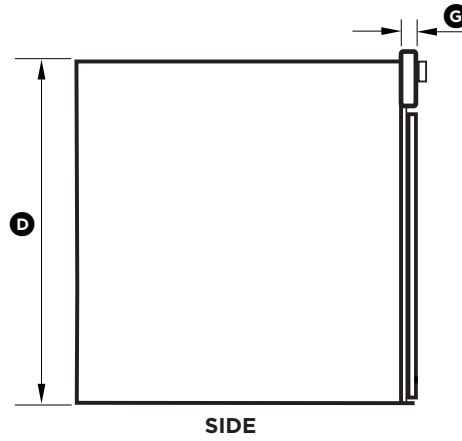
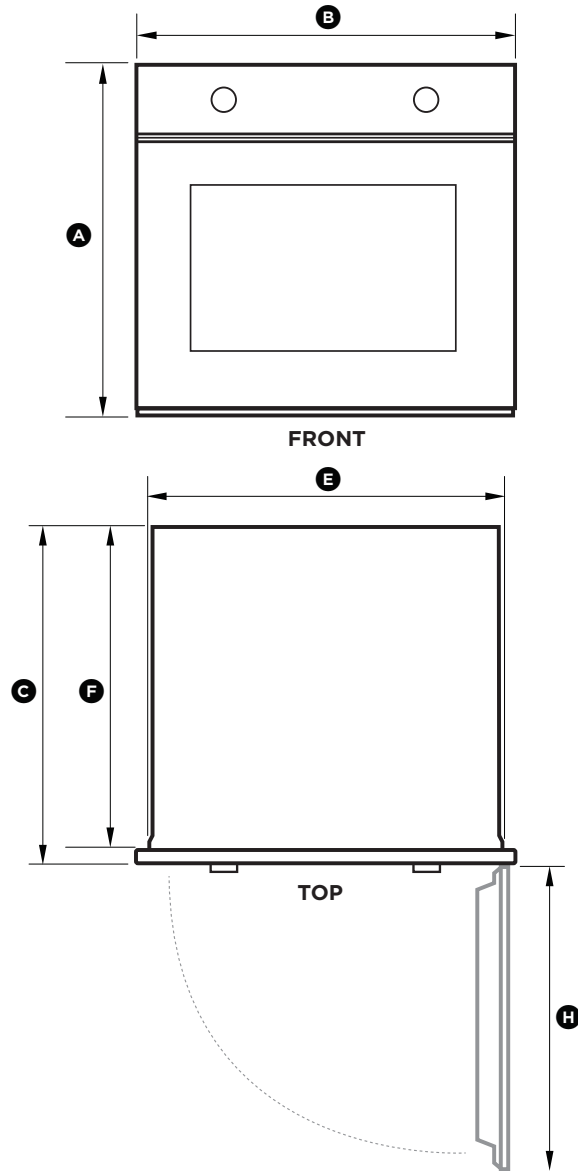
② CABINETY DIMENSIONS (OB60B MODELS)



OB60B

Cabinetry Dimensions		mm
ⓐ	Minimum inside width of cavity	560
ⓑ	Overall width of cavity	600
ⓒ	Inside height of cavity	877
ⓓ	Overall height of cavity	893
ⓔ	Minimum inside depth of cavity	550

② PRODUCT DIMENSIONS (OB60SL MODELS)

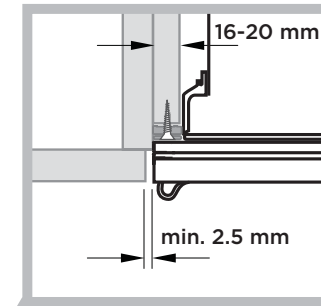
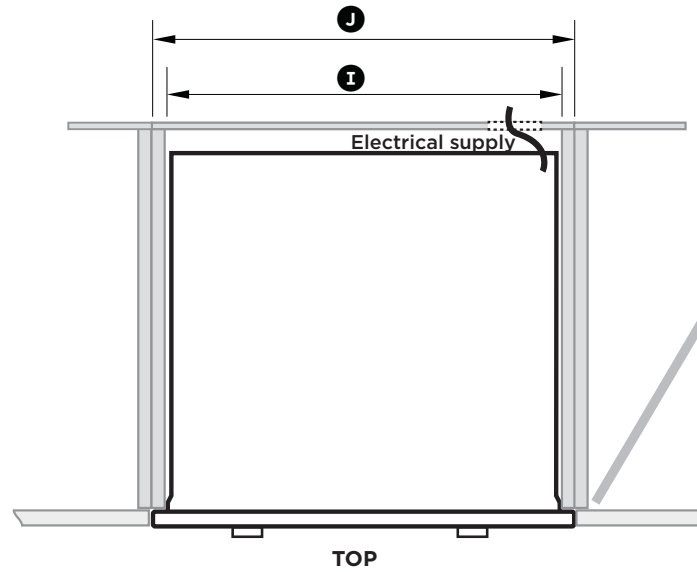
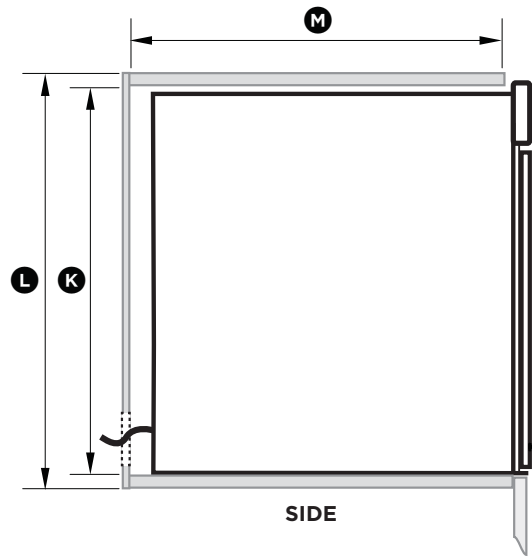


Product Dimensions		mm
Ⓐ	Overall height* of product	597
Ⓑ	Overall width of product	595
Ⓒ	overall depth of product (excluding handle and knobs)	567
Ⓓ	Height of chassis	582
Ⓔ	Width of chassis	556
Ⓕ	Depth of chassis	545
Ⓖ	Depth of oven frame and control panel (=distance between front of chassis and front of oven door, excl. knobs & door hinge)	22
Ⓗ	Maximum Depth of oven door when fully open (measured from front of control panel)	595

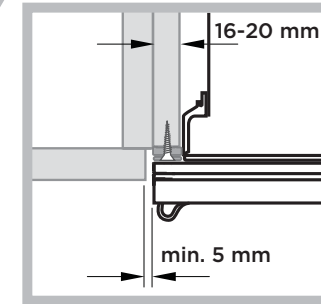
\*All height measurements include mounted feet.

OB60SL

## ② CABINETY DIMENSIONS (OB60SL MODELS)



Flush Installation



Proud Installation

**IMPORTANT!**  
Doors of adjacent cabinetry may need adjusting to allow the oven door to open properly: a minimum clearance of 5mm is recommended.

OB60SL

Cabinetry Dimensions		mm
Ⓘ	Minimum inside width of cavity	560
Ⓙ	Overall width of cavity	600
Ⓚ	Inside height of cavity	585
Ⓛ	Overall height of cavity	600
Ⓜ	Minimum inside depth of cavity	550

Note: If installing a cooktop above the oven, ensure adequate clearance is provided for the cooktop as per the cooktop manufacturer's instructions.



### 3 PRIOR TO INSTALLATION

#### Before you install the oven, make sure that

- the benchtop and oven cavity are square and level, and are the required dimensions
- the installation will comply with all clearance requirements and applicable standards and regulations
- a suitable isolating switch providing full disconnection from the mains power supply is incorporated in the permanent wiring, mounted and positioned to comply with the local wiring rules and regulations. The isolating switch must be of an approved type and provide a 3 mm air gap contact separation in all poles (or in all active [phase] conductors if the local wiring rules allow for this variation of the requirements)
- the isolating switch will be easily accessible to the customer with the oven installed
- there is at least 1.5 m (and not more than 2 m) free length of power supply cable within the cavity for ease of installation and servicing
- the oven connection socket (if fitted) is outside the cavity if the oven is flush to the rear wall
- the oven will rest on a surface that can support its weight
- the height from the floor suits the customer
- you consult local building authorities and by-laws if in doubt regarding installation

#### IMPORTANT!

Some environmental factors and cooking habits can cause condensation in and around the oven during use. To protect surrounding cabinetry from possible damage caused by frequent or excessive condensation, we recommend moisture-proofing the oven cavity.

### 4 UNPACKING THE OVEN

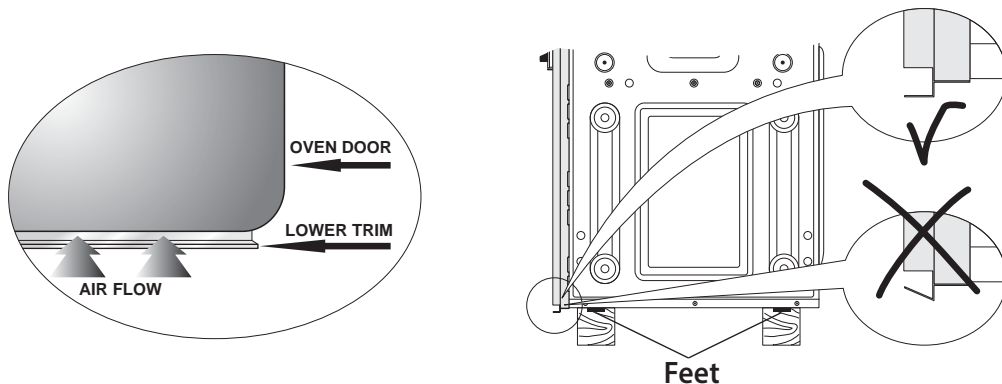
#### IMPORTANT!

Do not lift the oven by the door handle.

- Remove all packaging and dispose of it responsibly. Recycle items that you can.
- Place the unpacked oven onto wooden blocks or similar supports to prevent damaging the lower trim. You may remove the feet, but ensure the oven does not sit on the lower trim

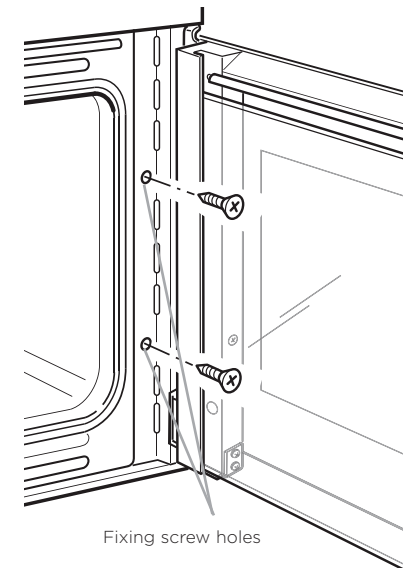
#### IMPORTANT!

The lower trim ensures correct air circulation and allows the door to open and close without obstruction. The manufacturer does not accept any responsibility for damage resulting from incorrect installation.



### 5 OVEN LOCATION (OB60SL ONLY)

- Depending on the model, the door is either left- or right-hinged. When determining the location of the oven, ensure there will be enough space for the door to open to its full extent.
- This is to ensure that you have access to the fixing screw holes on the hinged side when securing the oven to the cabinetry.



## 6 ELECTRICAL CONNECTION

### IMPORTANT!

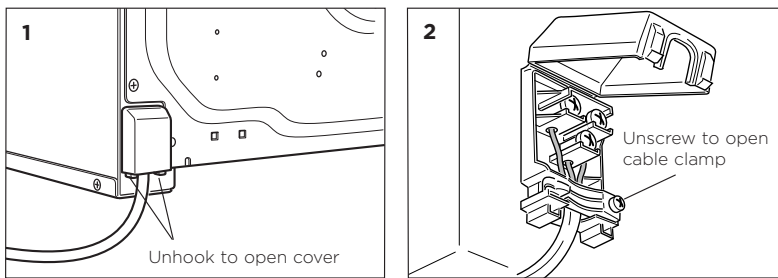
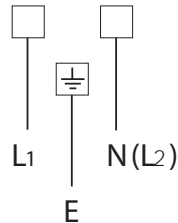
- This oven must be connected to the mains power supply only by a suitably qualified person.
- This oven must be earthed.

Before connecting the oven to the mains power supply, check that

- the domestic wiring system is suitable for the power drawn by the oven (as specified on the rating plate)
- the voltage corresponds to the value given on the rating plate.

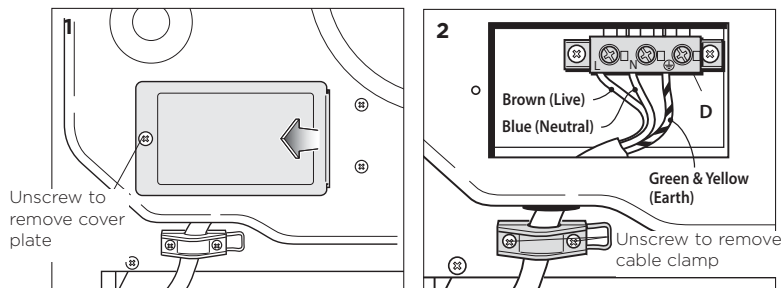
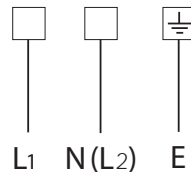
### OB60SL, OB60S3, OB60S4 and OB60S7 models

Model code	Power	Voltage
OB60SL	3070W	220-240V-
OB60S3	2250W	220-240V-
OB60S4	3070W	220-240V-
OB60S7	3070W	220-240V-



### OB60B models

Model code	Power	Voltage
OB60B	4400W	220-240V-



## 7 SECURING THE OVEN TO THE CABINERY

- 1 Position the oven in the prepared cavity.

### IMPORTANT!

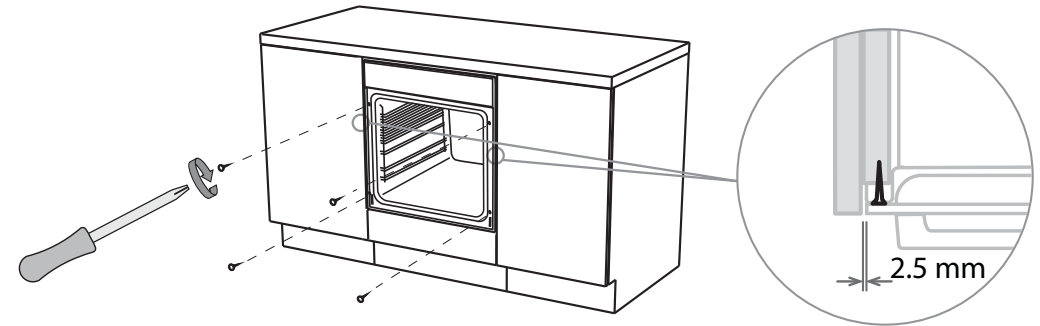
Do not lift the oven by the door handle.

- 2 Open the oven door fully.
- 3 Use the supplied screws to secure the oven to the cabinetry.

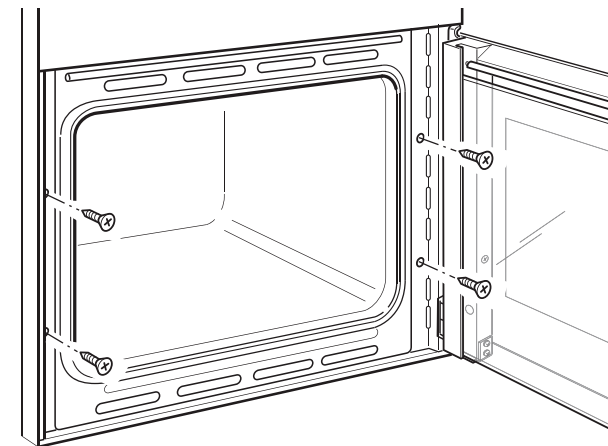
### IMPORTANT!

- Do not over-tighten the screws.
- Do not seal the oven into the cabinetry with silicone or glue. This makes future servicing difficult. Fisher & Paykel will not cover the costs of removing the oven, or of damage caused by this removal.

### OB60S3, OB60S4, OB60S7 and OB60B models



### OB60SL models



## 8 FINAL CHECKLIST

### ✓ TO BE COMPLETED BY THE INSTALLER

- Make sure the oven is level and securely fitted to the cabinetry and the oven door opens and closes freely.
- Make sure all the internal packaging has been removed from the oven cavity.
- Make sure all oven vents and openings are clear and are free of any obstruction/damage.
- OB60S3, OB60S4, OB60S7, OB60B models:** Check the lower trim is still undamaged - open the oven door slowly to its fully open position and check if there is adequate clearance between the bottom of the door and the lower trim. This is to ensure correct air circulation. Should the lower trim become damaged, straighten it and ensure the oven door opens fully without obstruction.  
**OB60SL models:** Check there is adequate clearance between the bottom of the door and the lower trim. This is to ensure correct air circulation. Should the lower trim become damaged, straighten it and ensure the oven door opens fully without obstruction.
- Check that the power supply cable does not touch any metal parts that can become hot during use.
- Have you affixed the supplied duplicate data plate label on an adjacent surface accessible to the customer?
- Make sure that the isolating switch is easily accessible by the customer.
- Turn the power to the oven on. On some models, the display should light up and show 0-00.
- Advise the customer to follow the instructions in their user guide in section 'First use'.

Complete and keep for safe reference:

Model \_\_\_\_\_  
Serial No. \_\_\_\_\_  
Purchase Date \_\_\_\_\_  
Purchaser \_\_\_\_\_  
Dealer Address \_\_\_\_\_  
Installer's Name \_\_\_\_\_  
Installer's Signature \_\_\_\_\_  
Installation Company \_\_\_\_\_  
Installation Date \_\_\_\_\_

[www.elba.co.nz](http://www.elba.co.nz)  
[www.elba.com.au](http://www.elba.com.au)

Copyright © Fisher & Paykel 2014. All rights reserved.  
The product specifications in this booklet apply to the specific products and models described at the date of issue. Under our policy of continuous product improvement, these specifications may change at any time. You should therefore check with your Dealer to ensure this booklet correctly describes the product currently available.

**NZ AU**

590498 B / 1104554-B1 03.14