

# INSTALLATION INSTRUCTIONS

## Warming Drawer

WB60S models

NZ AU GB IE

***Fisher & Paykel***

**⚠ WARNING!**

**Electrical shock hazard**

Before carrying out any work on the electrical section of the appliance, it must be disconnected from the mains electricity supply.



Connection to a good earth wiring system is absolutely essential and mandatory.

Alterations to the domestic wiring system must only be made by a qualified electrician.

Failure to follow this advice may result in electrical shock or death.

**⚠ WARNING!**

**Fire hazard**



Do not use adapters, reducers, or branching devices to connect this appliance to the mains power supply.

Failure to follow this advice may result in overheating, burning, or fire.

**⚠ WARNING!**



**Cut hazard**

Take care - some panel edges are sharp.

Failure to use caution could result in injury or cuts.

***IMPORTANT SAFETY INSTRUCTIONS!***

- *To reduce the risk of fire, electrical shock, injury to person, or damage when using the warming drawer, please read these instructions carefully before installing this product.*
- *Please make this information available to the person installing the product – doing so may reduce your installation costs.*
- *Installation work, maintenance and repairs may only be carried out by suitably qualified and competent persons in accordance with national and local safety regulations.*
- *Always disconnect the power supply prior to carrying out any installation, maintenance or repair work.*
- *Before installation make sure that the voltage and frequency listed on the data plate corresponds with the household electrical supply.*

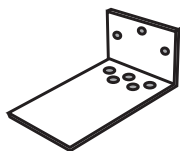
## **IMPORTANT SAFETY INSTRUCTIONS!**

- *The electrical outlet should be easily accessible after installation.*
- *When a companion product is installed in combination with the warming drawer to the same circuit, operating both products may cause an overload. If in doubt consult a qualified electrician.*
- *When installed in combination with a companion product the companion product may be placed directly onto the warming drawer. It is not necessary to place a shelf between the products. A built-in shelf at the base of the cabinetry able to support the weight of both products is required.*
- *If installing the warming drawer directly underneath an oven, ensure you do not damage the oven's lower trim. The lower trim ensures correct air circulation to the oven and allows the door to open and close without obstruction. Fisher & Paykel does not accept any responsibility for any damage resulting from incorrect installation.*
- *The maximum weight the warming drawer is able to support is 60 kg.*
- *The warming drawer is not designed for use in mobile installations such as recreational vehicles, boats or aircraft.*
- *When installing companion products the weight of the companion product should be distributed across the edges of the warming drawer. Products above which rest on "feet" may only be installed if the feet of the product lie within 70mm of the sides of the warming drawer, as this area is reinforced. Failure to do this may result in damage to the warming drawer and companion product.*
- *Before installing the warming drawer you must inspect it for any signs of damage. Under no circumstances should you install or use the warming drawer if it has been damaged.*
- *If the power supply cord is damaged, it must be replaced by the manufacturer, its service agent or a similarly qualified tradesperson in order to avoid a hazard. .*
- *Connect the warming drawer to a properly rated, protected and sized power supply circuit to avoid electrical overload.*
- *Do not use an extension cord or a portable electrical outlet device (e.g. multi-socket outlet box) to connect the Warming Drawer to the power supply. Make sure the power supply cord is located so that it will not be stepped on, tripped over or otherwise subject to damage or stress.*
- *Ensure the connection to power supply is accessible after installation.*

## ② PARTS SUPPLIED



Screws (4)



Anti-tip bracket (1)



Oven support brackets (2)

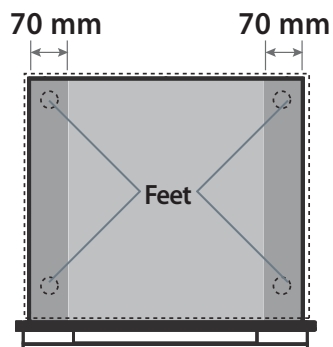
## ③ PRIOR TO INSTALLATION

- the cavity is square and level, and of the required dimensions.
- the installation will comply with all clearance requirements and applicable standards and regulations.
- the power switch will be easily accessible to the customer when the warming drawer is installed.
- the warming drawer (and any product on top of it) will rest on a surface that can support its weight.
- the height from the floor suits the customer.
- you consult local building authorities and by-laws if in doubt regarding installation.

If installing with a companion product

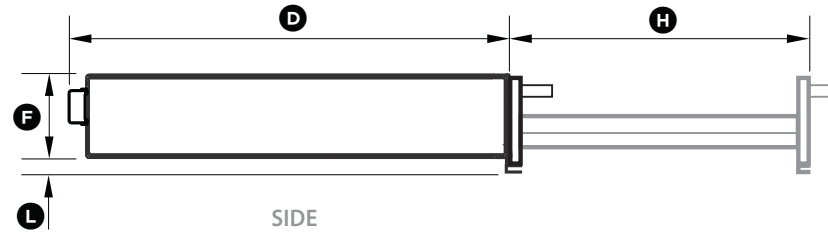
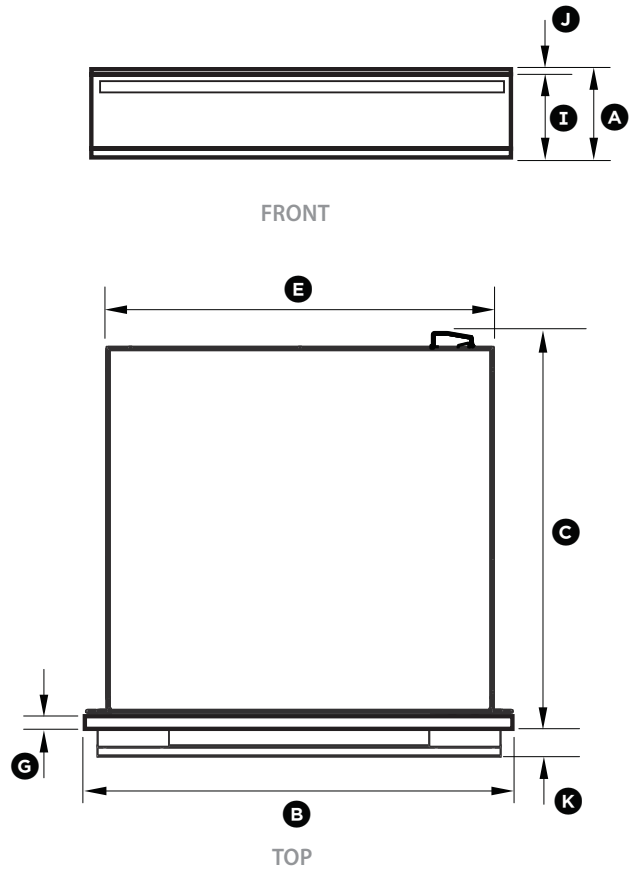
### **Important!**

- *If installing with a companion product please refer to the installation instructions of that product to ensure the installation requirements of BOTH products are met.*
- *When installing products on top of the warming drawer, the weight of the product should be distributed across the edges of the warming drawer. Products above which rest on "feet" may only be installed if the feet of the product lie within 70mm of the sides of the warming drawer, as this area is reinforced. Failure to do this may result in damage to the warming drawer and companion product.*



Warming Drawer can withstand a maximum weight of 60 kg

## ④ PRODUCT DIMENSIONS



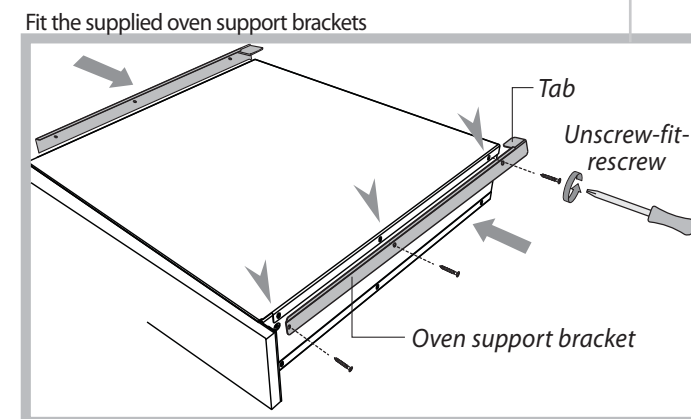
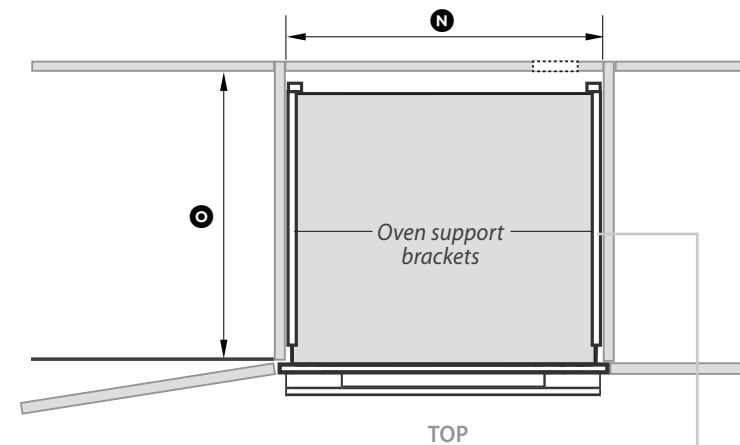
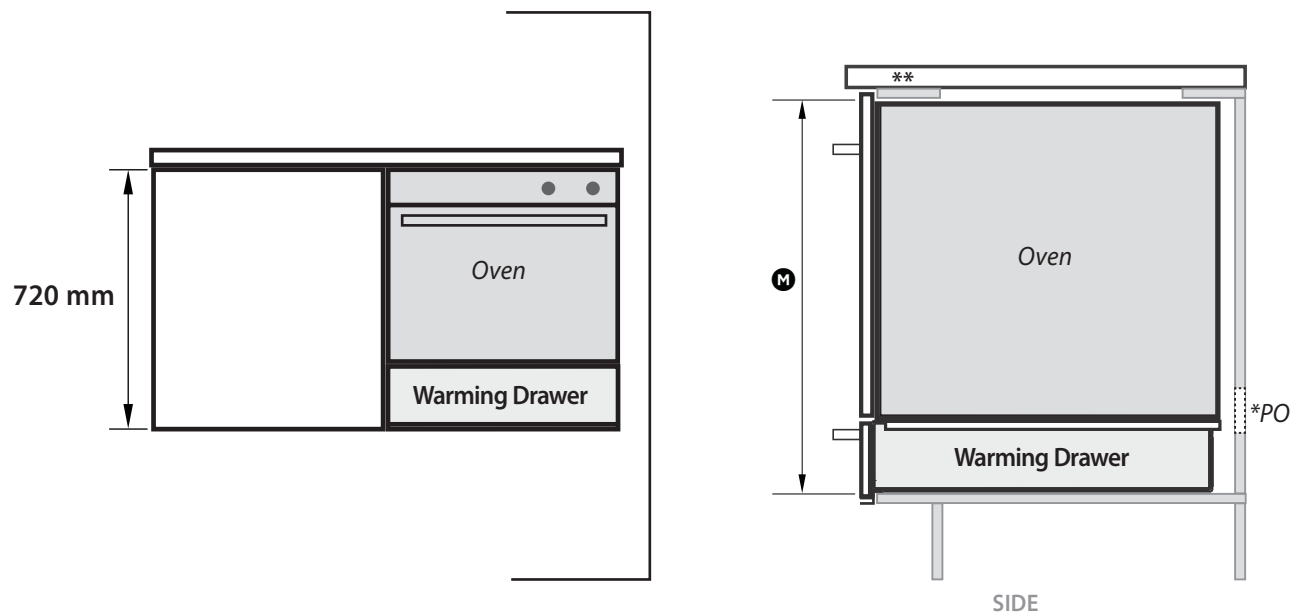
Product dimensions (mm)

	WD605	
A	overall height of product	118
B	overall width of product	596
C	overall depth of product (including terminal block, excluding handle)	555
D	depth of chassis (including terminal block)	536
E	width of chassis	557
F	height of chassis	102
G	depth of drawer front panel (excluding handle)	20
H	depth of drawer when fully open (measured from front of drawer front panel)	475
I	height of drawer front panel	116
J	height from top of front panel to top of chassis	2
K	depth of handle	41
L	height of bottom of front panel to bottom of chassis	16

## THE FOLLOWING PAGES DETAIL COMMON CABINETRY SCENARIOS

### 5a) CABINETRY DIMENSIONS

Underbench (ie installed with a F&P 60cm wide single oven)



Cabinetry dimensions (mm)

M	minimum inside height of cavity (with F&P 60cm wide single oven)	687
N	inside width of cavity	560
O	minimum inside depth of cavity	565

WD605

Note: When installed in combination with a companion product the companion product may be placed directly onto the warming drawer. It is not necessary to place a shelf between the products. A built-in shelf at the base of the cabinetry able to support the weight of both products is required.

\* PO - POWER OUTLET. Ensure there is an accessible earthed power outlet within 900 mm of the centre rear of the product.

\*\* In some instances the front cabinetry rail may need to be removed to enable installation.

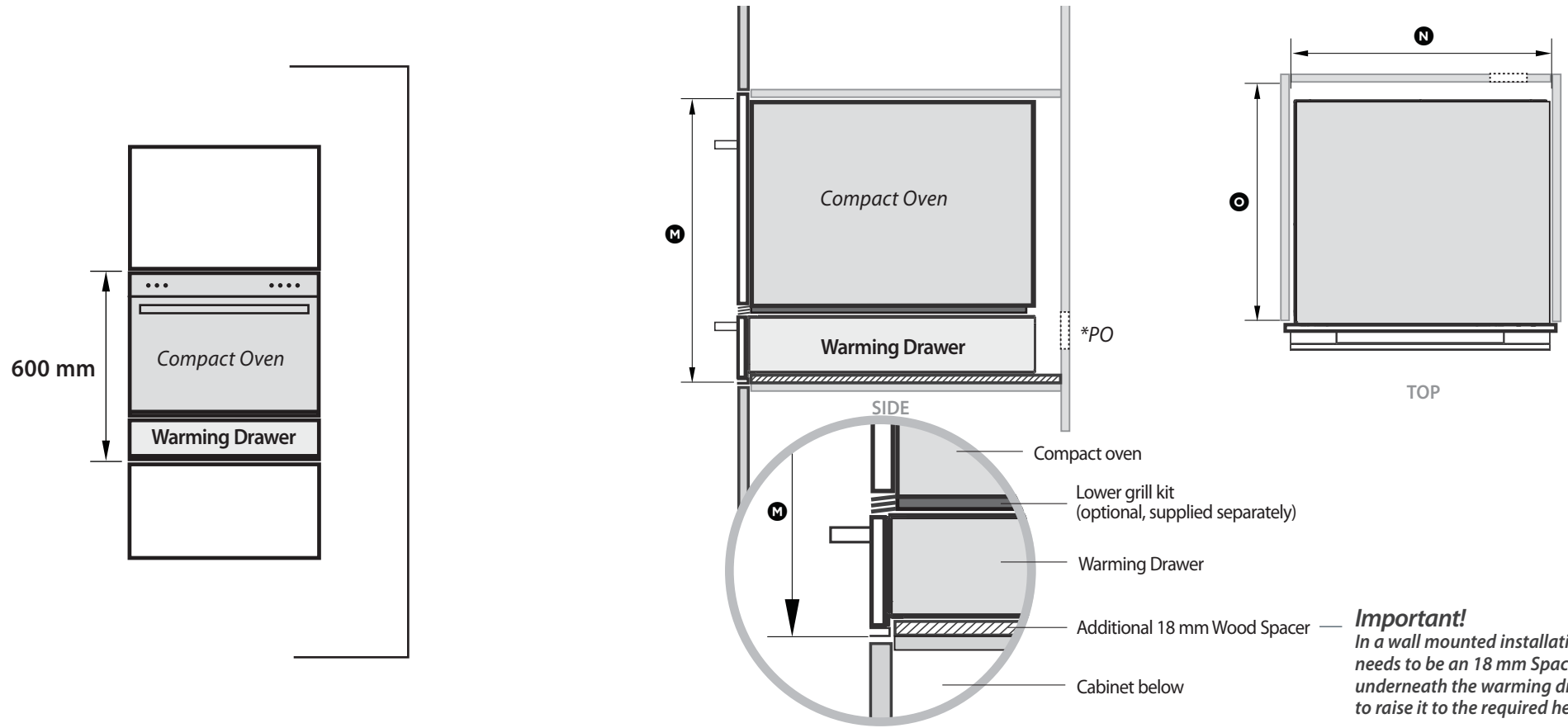
#### Important!

If installing under an oven, you must first fit the two supplied Oven support brackets to the sides of the Warming Drawer. The brackets help support the rear of the oven. Unscrew the 3 top screws on each side, fit the brackets with the tabs facing inwards as shown and screw back in.

Note: The screws may not be identical. Replace each screw into its original hole position.

# 5b CABINERY DIMENSIONS

Wall Mounted (ie installed with a F&P Compact Oven)



**Important!**  
 In a wall mounted installation, there needs to be an 18 mm Spacer fixed underneath the warming drawer first to raise it to the required height.

Cabinetry dimensions (mm)

		WD605
M	minimum inside height of cavity	
	with optional Lower grill kit fitted	590
	without optional Lower grill kit fitted	570
N	inside width of cavity	560
O	minimum inside depth of cavity	550

Note: When installed in combination with a companion product the companion product may be placed directly onto the warming drawer. It is not necessary to place a shelf between the products. A built-in shelf at the base of the cabinetry able to support the weight of both products is required.

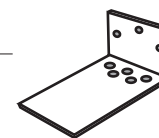
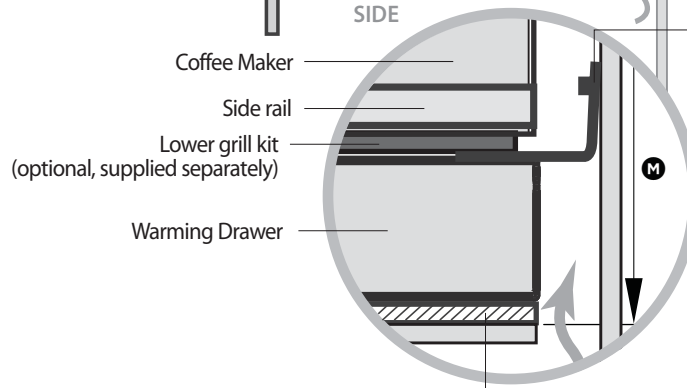
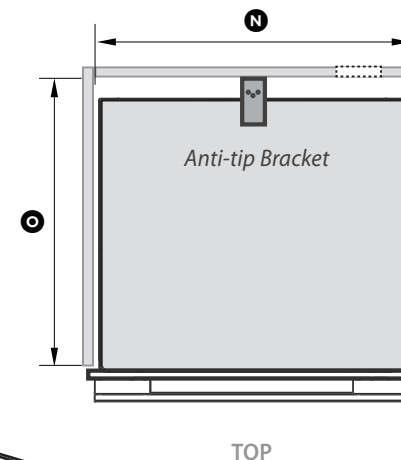
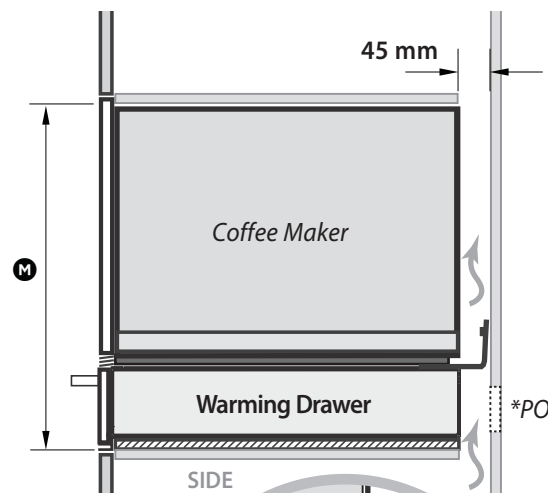
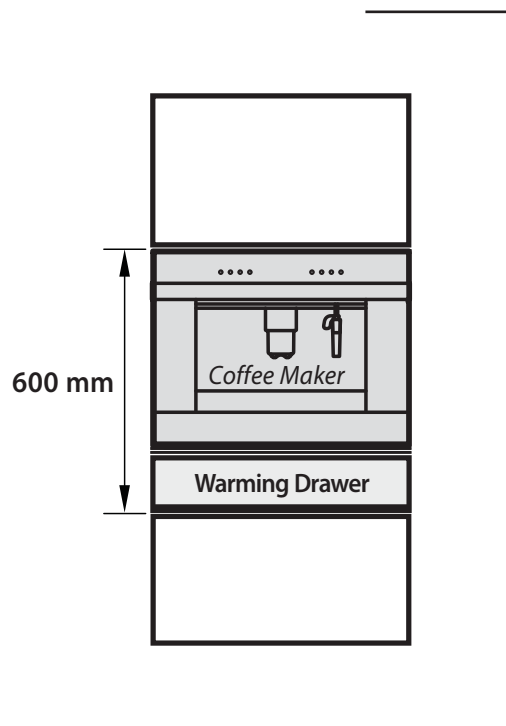
\* PO - POWER OUTLET. Ensure there is an accessible earthed power outlet within 900 mm of the centre rear of the product.

# 5C CABINERY DIMENSIONS

## Wall Mounted (ie installed with a F&P Coffee Maker)

### Important!

If installing under the F&P Coffee Maker, ensure there is the 45 mm gap at the back of the cabinet and the 200 mm<sup>2</sup> toekick cutout required for airflow. Refer to the Coffee Maker Install instructions.



Supplied Anti-tip Bracket (screwed to the back wall)

### Important!

When installing under an F&P Coffee Maker you must ensure the supplied anti-tip bracket is installed, unless there is a fixed shelf above the drawer acting as an anti-tip obstacle.

Additional 18 mm Wood Spacer

### Important!

In a wall mounted installation, there needs to be an 18 mm Spacer fixed underneath the warming drawer first to raise it to the required height.

Cabinetry dimensions (mm)

		WD605
M	minimum inside height of cavity	590
	with optional Lower grill kit fitted	570
	without optional Lower grill kit fitted	
N	inside width of cavity	560
O	minimum inside depth of cavity	545

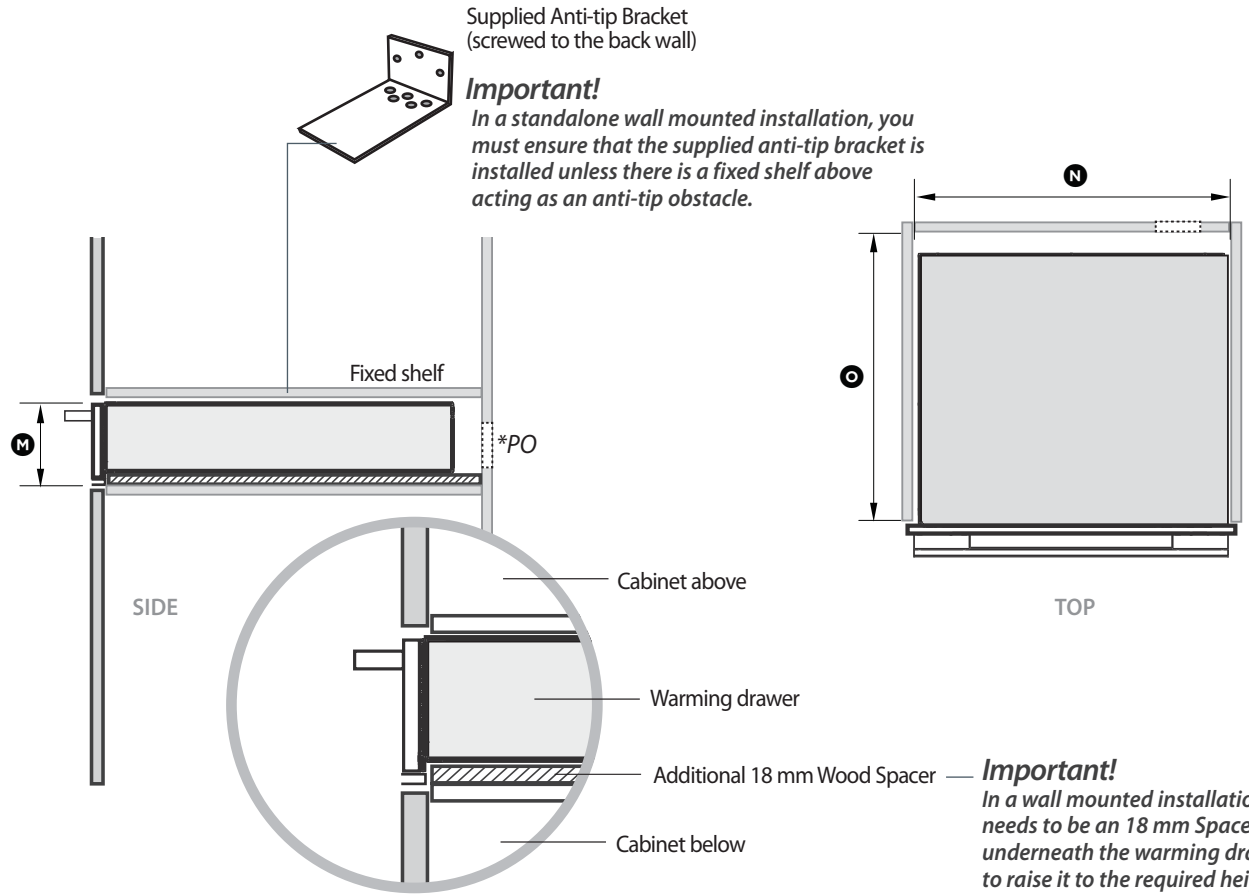
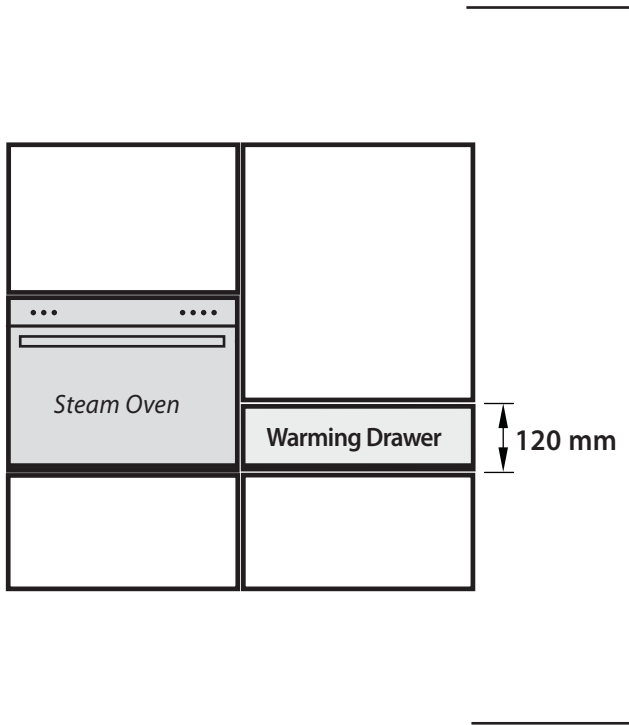
Note: When installed in combination with a companion product the companion product may be placed directly onto the warming drawer. It is not necessary to place a shelf between the products. A built-in shelf at the base of the cabinetry able to support the weight of both products is required.

\* PO - POWER OUTLET. Ensure there is an accessible earthed power outlet within 900 mm of the centre rear of the product.



# 5d CABINETS DIMENSIONS

## Wall Mounted (Standalone)



Cabinetry dimensions (mm)

		WD605
M	inside height of cavity	120
N	inside width of cavity	560
O	minimum inside depth of cavity	545

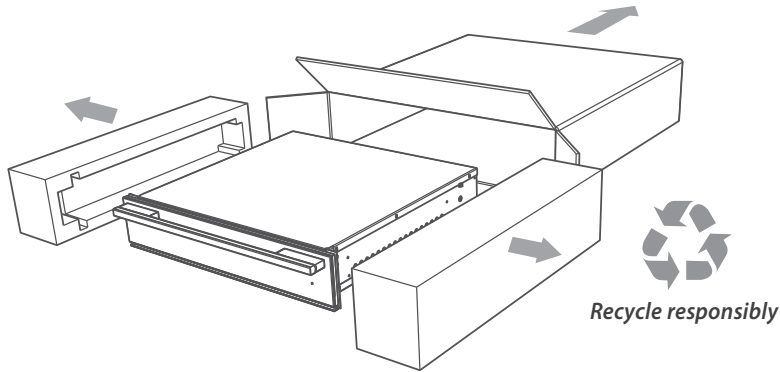
\* PO - POWER OUTLET. Ensure there is an accessible earthed power outlet within 900 mm of the centre rear of the product.

## 6 DISCARD PACKAGING RESPONSIBLY

- Unpack the warming drawer and inspect for any signs of damage. Do not install the warming drawer if it has been damaged.

### Important!

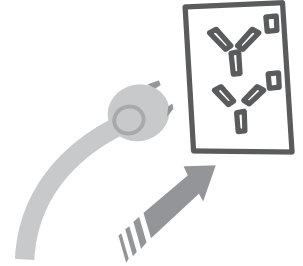
Packing materials (e.g. plastic bags, polystyrene foam, staples, packing straps etc) and tools should not be left around during and after installation, especially if they are within easy reach of children, as they may cause serious injuries.



## 7 CONNECT THE WARMING DRAWER TO THE MAINS SUPPLY 10

### Important!

- All electrical work may only be carried out by suitably qualified and competent persons in accordance with national and local safety regulations.
- This warming drawer must be earthed.
- Before placing the warming drawer into the cavity, route the power cord into the back of the cavity and plug it in to the switched socket. The switched socket should be in an easily accessible area within 900 mm of the centre rear of the product.



### Power requirements

Model Code	Power	Voltage	Wattage
WB60SD	1.6 - 1.8 A	220-240 V	360-420W

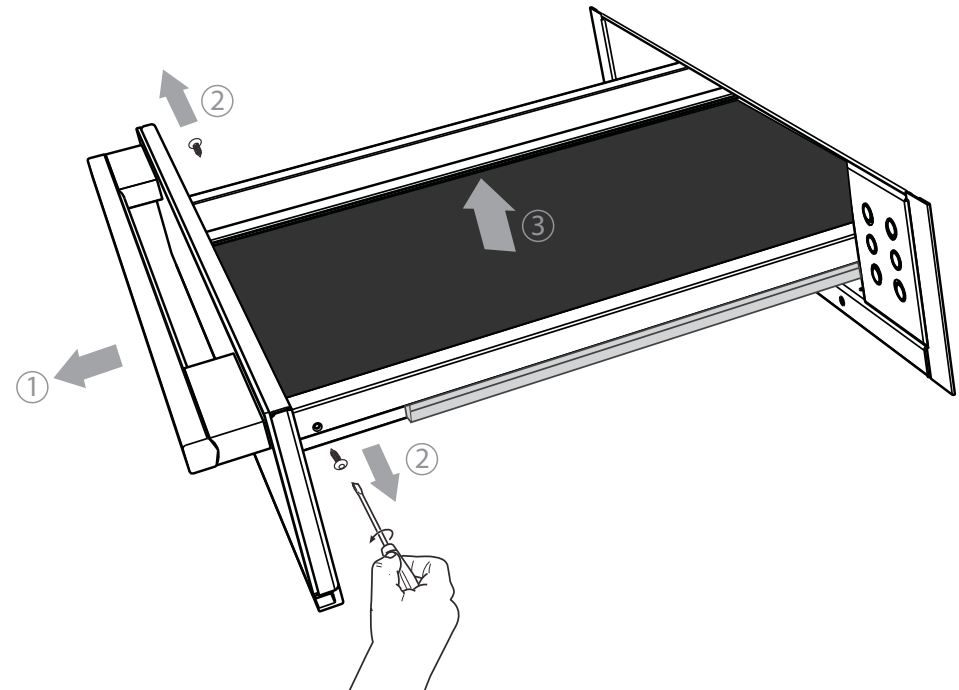
## 8 REMOVING THE DRAWER (OPTIONAL)

You can remove the drawer to aid the installation process. Removing the drawer allows you to pre-drill the holes through the front trim for the securing screws.

- Ensure the warming drawer is switched off.
- Open the drawer to its fullest extent (ensure the drawer is empty).
- Using a small Phillips-head screwdriver undo the screws located on the drawer sides (one on each side).
- Carefully pull the drawer forward until clear of the tabs at the back of each telescopic slide.
- Lift the drawer off the telescopic slides.

### Replacing the drawer

- Extend the slides out.
- Place the drawer over the outer ends of the telescopic slides.
- One at a time, pull the telescopic slides forward until the screw holes in the slide and drawer align.
- Replace the screws.



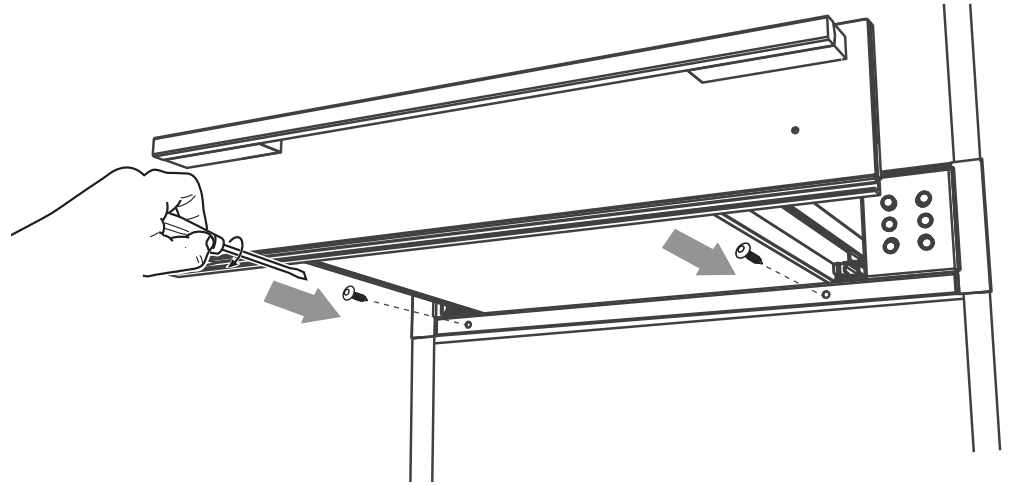
## 9 SECURE THE WARMING DRAWER TO THE CABINETRY

- 1 Slide the warming drawer fully into the cavity. Ensure it is level.

### **Important!**

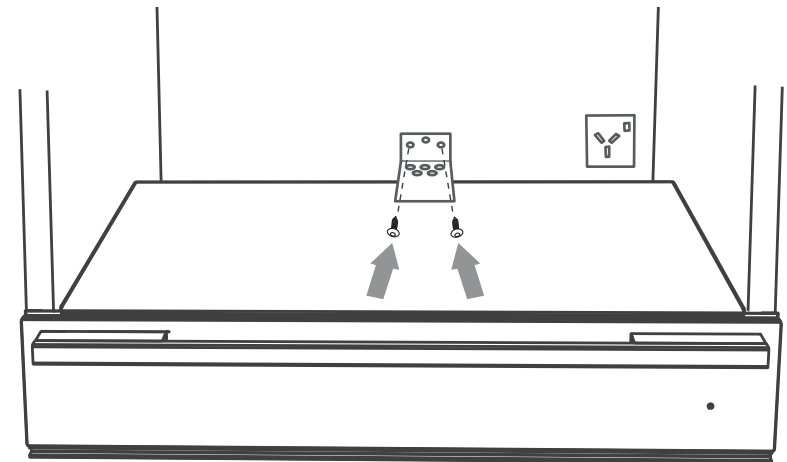
*Do not lift the warming drawer by the drawer handle.*

- 2 Fully open the drawer (if the drawer has not already been removed).
- 3 Fasten the warming drawer in place with the two screws supplied, through the front trim, beneath the drawer. Do not overtighten the screws.
- 4 Replace the drawer if it has been removed following the steps on the previous page.



## 10 SECURE THE ANTI-TIP BRACKET (optional depending on cabinetry configuration)

If the anti-tip bracket is required (see example scenarios) first secure the product at the front, then place the bracket centrally at the back of the cavity, sitting it on the top of the chassis. Secure it to the rear cabinet wall using the screws provided.



## 11 FINAL CHECKLIST



### TO BE COMPLETED BY THE INSTALLER

- Make sure the warming drawer is level and securely fitted to the cabinetry.
- Make sure any internal packaging has been removed from the drawer.
- Make sure that the isolating switch is accessible by the customer.
- Make sure the anti-tip bracket has been fitted correctly if it is required.
- If installing an oven directly on top of the warming drawer, make sure the supplied oven support brackets have been fitted to the warming drawer.

### TEST OPERATION:

- Open the drawer and press the ① button to turn the warming drawer on. The on/off halo and temperature setting 2 ( II ) halo should glow red.

Shut the drawer.

After 5-10 minutes open the drawer. The internal surfaces of the drawer should feel slightly warmed.

Press the ① button to turn the warming drawer off and shut the drawer.

Installer's name: .....

Installer's signature: .....

Installation company: .....

Date of installation: .....

### LEAVE THESE INSTRUCTIONS WITH THE CUSTOMER

#### **Important!** **SAVE THESE INSTRUCTIONS**

*The models shown in this document may not be available in all markets and are subject to change at any time. For current details about model and specification availability in your country, please visit our website listed at the end of this document or contact your local Fisher & Paykel dealer.*