

INSTALLATION INSTRUCTIONS

Built-in Oven

OB76SD & OB76DD models

NZ AU

Fisher & Paykel

⚠ WARNING!



Electrical shock hazard

Before carrying out any work on the electrical section of the appliance, it must be disconnected from the mains electricity supply.

Connection to a good earth wiring system is absolutely essential and mandatory.

Alterations to the domestic wiring system must only be made by a qualified electrician.

Failure to follow this advice may result in electrical shock or death.

⚠ WARNING!



Fire hazard

Do not use adapters, reducers, or branching devices to connect this appliance to the mains power supply.

Failure to follow this advice may result in overheating, burning, or fire.

⚠ WARNING!



Cut hazard

Take care - some panel edges are sharp.

Failure to use caution could result in injury or cuts.

⚠ WARNING!

DOUBLE
oven
models



409 lb
186 kg

SINGLE
oven
models



242 lb
110 kg

Very Heavy

Do not attempt to lift this product unassisted.

Lifting unassisted may cause serious injury.

IMPORTANT SAFETY INSTRUCTIONS!

- To avoid hazard, follow these instructions carefully before installing or using this appliance.
- Please make this information available to the person installing the appliance - doing so could reduce your installation costs.
- This appliance must be installed and connected to the mains power supply only by a suitably qualified person according to these installation instructions and in compliance with any applicable local building and electricity regulations. Failure to install the appliance correctly could invalidate any warranty or liability claims.
- If the power supply cable is damaged, it must be replaced by the manufacturer, its service agent or similarly qualified person in order to avoid a hazard.
- Isolating switch: make sure this oven is connected to a circuit which incorporates an isolating switch providing full disconnection from the power supply in accordance with the wiring rules.
- The oven must be earthed.
- Do not use adapters, reducers or branching devices to connect the oven to the mains electricity supply, as they can cause overheating and burning.

② PRIOR TO INSTALLATION

- the benchtop and oven cavity are square and level, and are the required dimensions.
- the installation will comply with all clearance requirements and applicable standards and regulations.
- a suitable isolating switch providing full disconnection from the mains power supply is incorporated in the permanent wiring, mounted and positioned to comply with the local wiring rules and regulations. The isolating switch must be of an approved type and provide a 3 mm air gap contact separation in all poles (or in all active [phase] conductors if the local wiring rules allow for this variation of the requirements).
- the isolating switch will be easily accessible to the customer with the oven installed.
- the electrician provides sufficient free length of power supply cable to reach from the bottom rear of the cavity to at least 1.5 metres in front of the bottom edge of the opening. The cable may enter the cavity from the side, top or bottom, but top entry must be at the rear of the cavity.
- the oven connection socket (if fitted) is outside the cavity if the oven is flush to the rear wall.
- the oven will rest on a surface that can support its weight.
- the height from the floor suits the customer.
- you consult local building authorities and by-laws if in doubt regarding installation.

Important!

Some environmental factors and cooking habits can cause condensation in and around the oven during use. To protect surrounding cabinetry from possible damage caused by frequent or excessive condensation, we recommend moisture-proofing the oven cavity.

③ AFTER INSTALLATION

Important!

Please take extra care not to damage the lower trim of the oven during installation. The trim is important for correct air circulation and allows the door to open and close without obstruction. The manufacturer does not accept any responsibility for damage resulting from incorrect installation.

- the oven door(s) can open fully without obstruction.
- the power supply cable does not touch any hot metal parts.
- the isolating switch is easily accessible to the customer with the oven installed.
- you complete the 'Final checklist' at the end of the installation.
- If, after following the instructions given, correct performance cannot be achieved, please contact your nearest Fisher & Paykel Authorised Service Centre, Customer Care, or contact us through our local website listed at the end of this document.

④ PARTS SUPPLIED



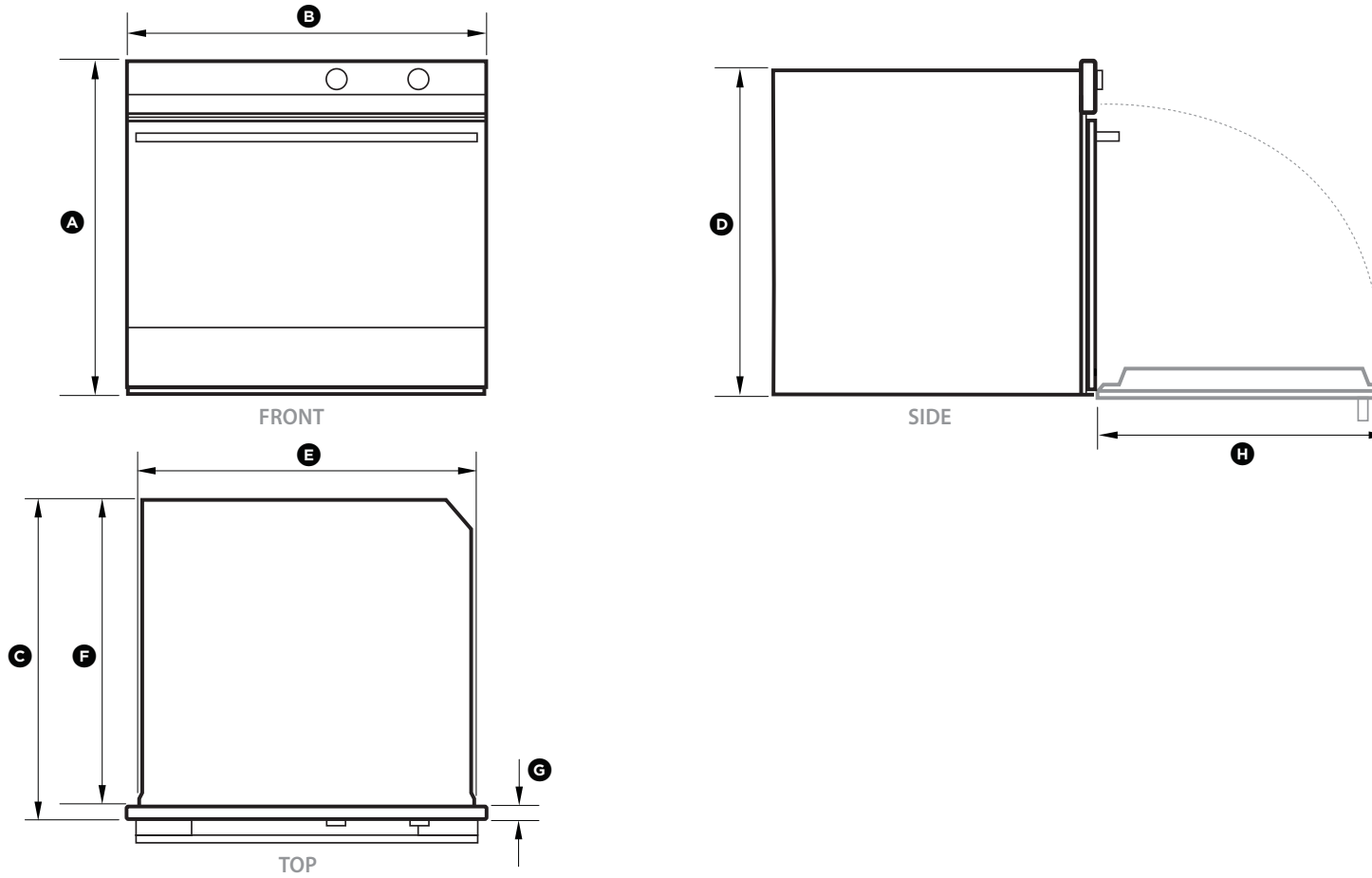
Screws

(2) for OB76SD
(4) for OB76DD

Spacers

(2) for OB76SD
(4) for OB76DD

5) PRODUCT DIMENSIONS - SINGLE OVENS

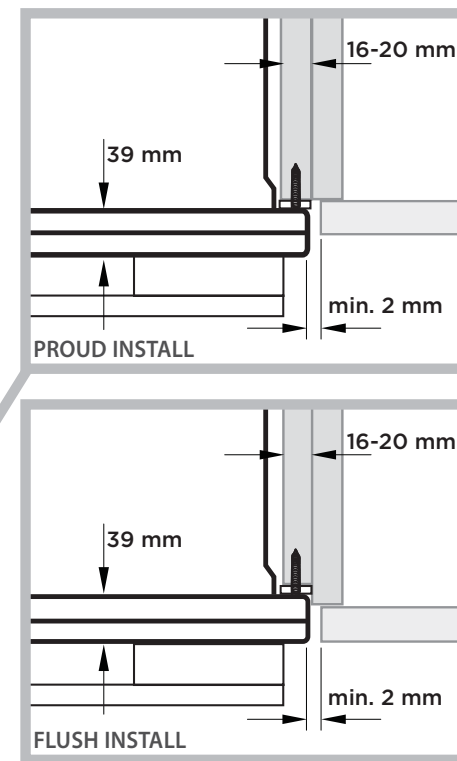
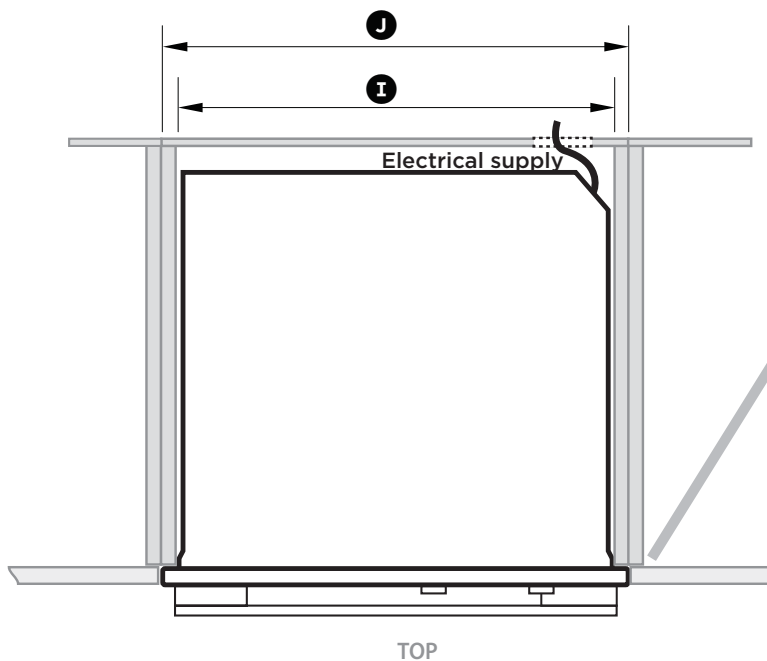
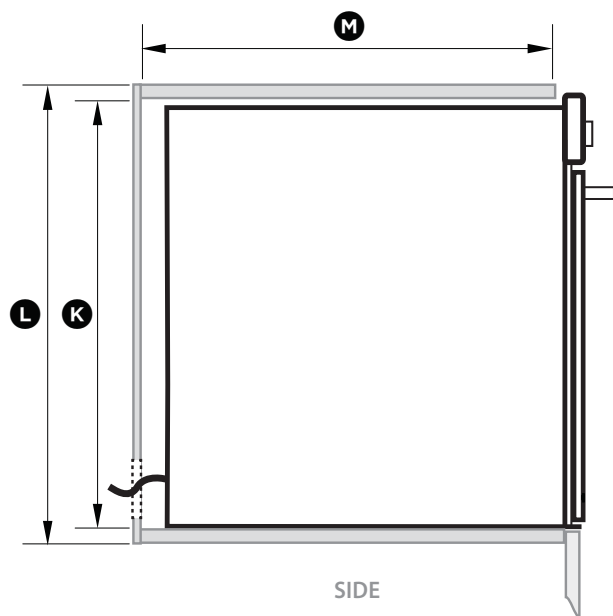


Product dimensions (mm)

OB676SD

A	overall height of product	689
B	overall width of product	760
C	overall depth of product (excluding handle and dials)	608
D	height of chassis	675
E	width of chassis	720
F	depth of chassis	569
G	depth of oven frame and control panel (=distance between front of chassis and front of oven door, excl. knobs)	39
H	depth of oven door when fully open (measured from front of control panel)	530

5 CABINETS DIMENSIONS - SINGLE OVENS



Important!

Make sure the cavity is completely sealed with no gaps. This is to ensure the oven cooling system functions correctly.

Important!

FLUSH INSTALLATION
The depth of the control panel (G) is larger than conventional ovens. Ensure you have created a 38 mm recess in cabinetry.

If flush installing, you need to replace the lower trim with the supplied long trim at the base of the oven. Refer to Step 11 for instructions.

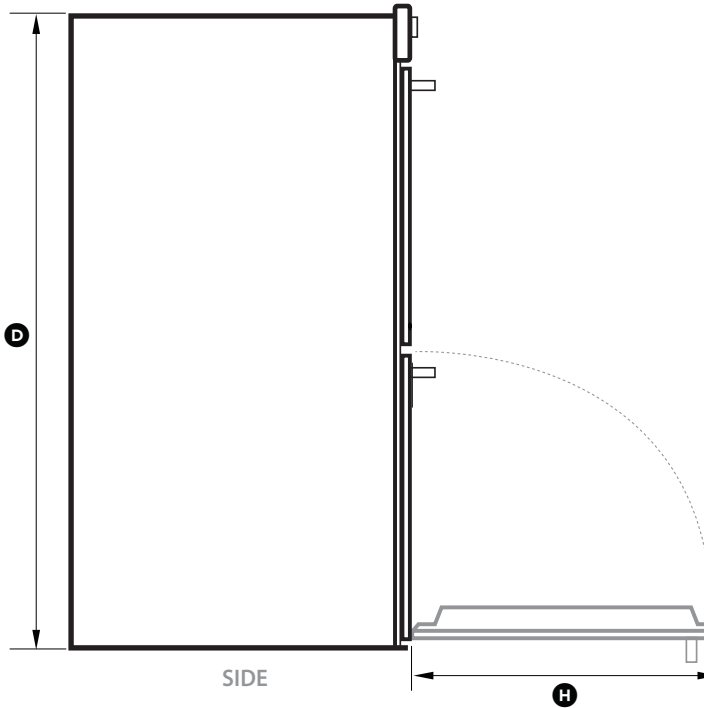
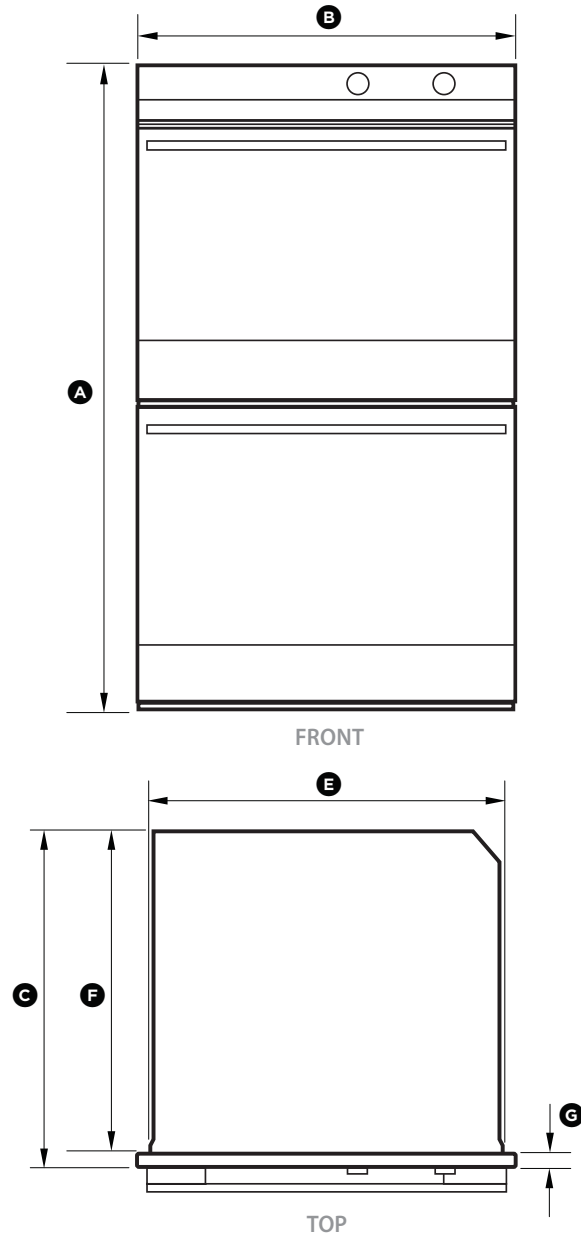
Cabinetry dimensions (mm)

OB676SD

I	minimum inside width of cavity	724
J	overall width of cabinetry	764
K	minimum inside height of cavity	681
L	overall height of cabinetry	693
M	minimum inside depth of cavity	575

Note: If installing a cooktop above the oven, ensure adequate clearance is provided for the cooktop as per the cooktop manufacturer's instructions.

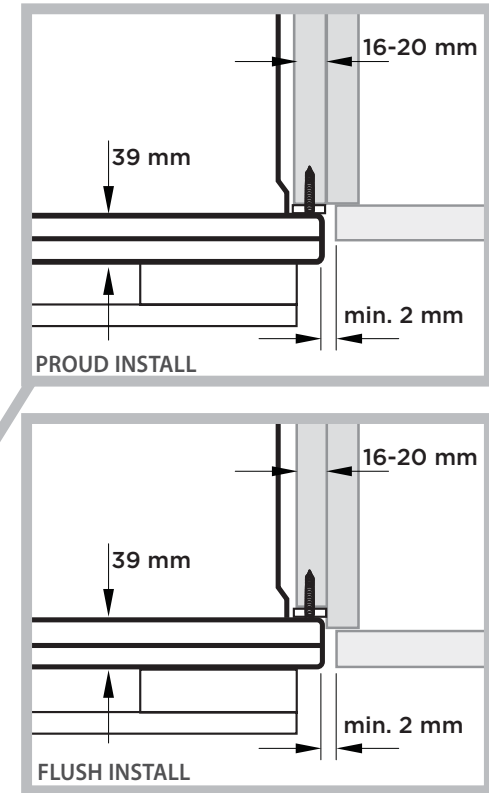
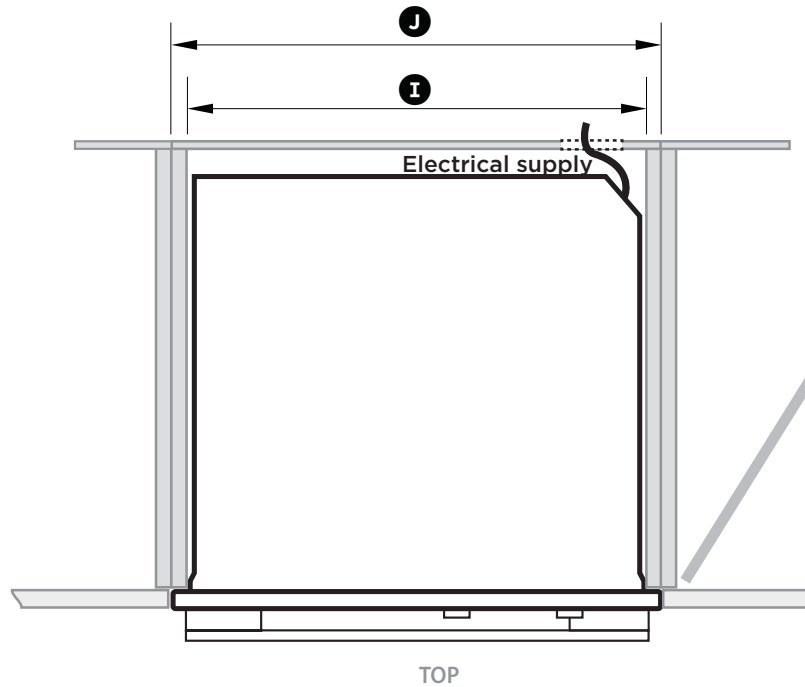
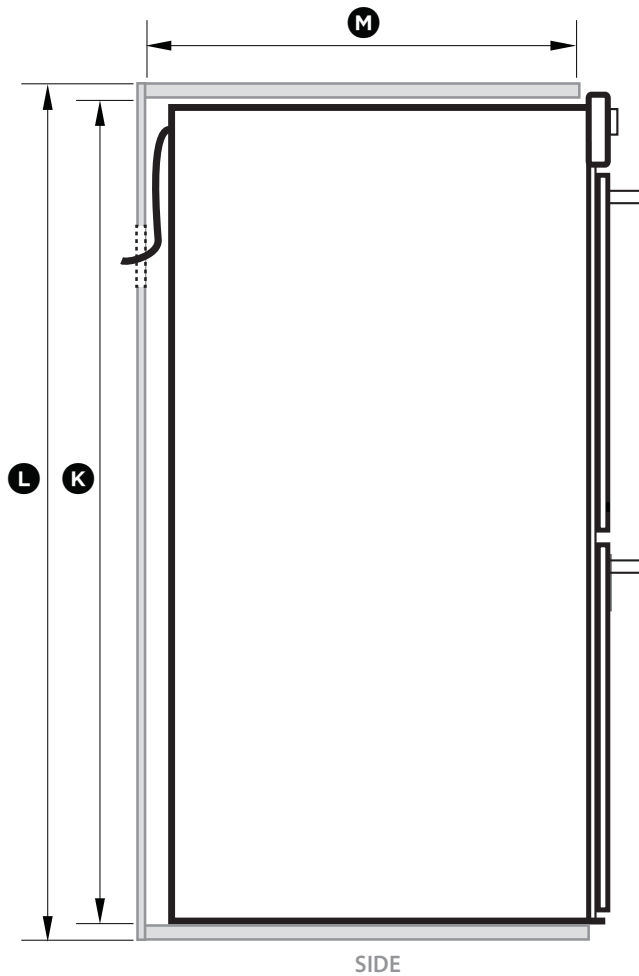
5) PRODUCT DIMENSIONS - DOUBLE OVENS



Product dimensions (mm)

Product dimensions (mm)		08676DD
A	overall height of product	1232
B	overall width of product	760
C	overall depth of product (excluding handle and dials)	608
D	height of chassis	1218
E	width of chassis	720
F	depth of chassis	569
G	depth of oven frame and control panel (=distance between front of chassis and front of oven door, excl. knobs)	39
H	depth of oven door when fully open (measured from front of control panel)	530

5 CABINTRY DIMENSIONS - DOUBLE OVENS



Important!
 Make sure the cavity is completely sealed with no gaps.
 This is to ensure the oven cooling system functions correctly.

Important!
FLUSH INSTALLATION
 The depth of the control panel (G) is larger than conventional ovens. Ensure you have created a 38 mm recess in cabinetry.
 If flush installing, you need to replace the lower trim with the supplied long trim at the base of the oven. Refer to Step 11 for instructions.

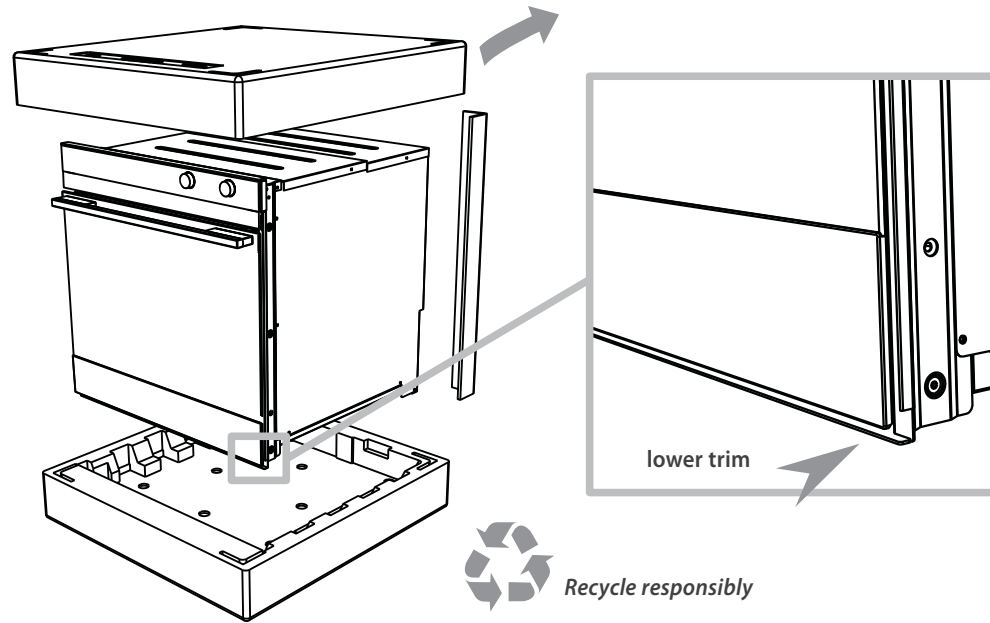
Cabinetry dimensions (mm)

OB676DD

I	minimum inside width of cavity	724
J	overall width of cabinetry	764
K	minimum inside height of cavity	1224
L	overall height of cabinetry	1236
M	minimum inside depth of cavity	575

⑥ DISCARD PACKAGING RESPONSIBLY

Single model shown for illustration purposes only

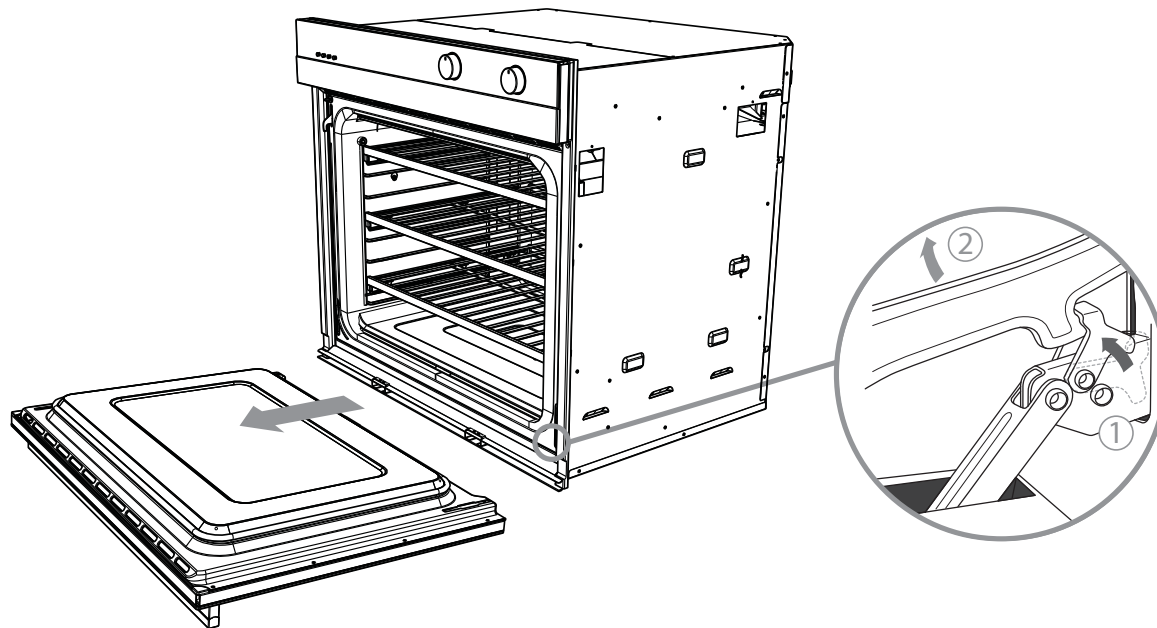


Important!

When you remove the oven from the carton be careful not to damage the lower trim. The trim is important for both ventilation and to ensure the door opens fully without obstruction.

Make sure you remove the Long Trim from the packaging.

⑦ REMOVE THE DOOR(S)



Important!

Do not lift the oven by the door handle.

- 1 Hook the door swivel retainers onto the metal bar above them.
- 2 Lift the oven door slightly to disengage the hinge.
- 3 Pull the door forward off the appliance and lie it on a flat surface.

Double oven models only:

Remove both doors.

8 CONNECT THE OVEN TO THE MAINS SUPPLY

Important!

- This oven must be connected to the mains power supply only by a suitably qualified person.
- This oven must be earthed.

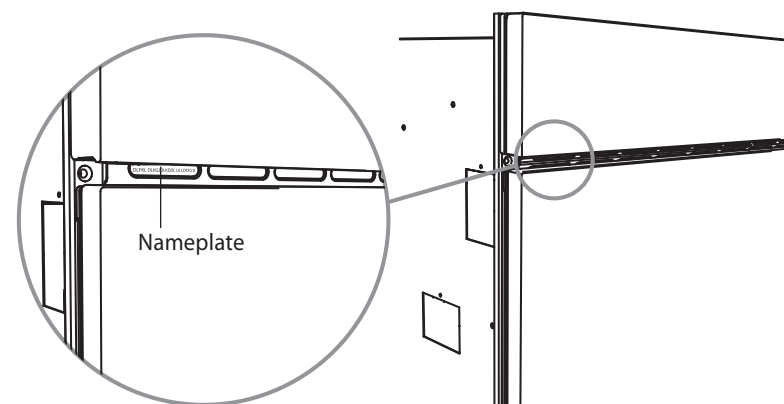
Model code	Max Power (kW)	Hz	Voltage (V)
OB76SD	4.25	50 Hz	220 - 240 V~
OB76DD	8.50	50 Hz	220 - 240 V~

We recommend that the power outlet is located in the right rear corner of the cabinet cavity. This allows the power supply cable to sit inside the rear chamfered corner of the oven and prevents it being jammed between the cabinet wall and rear of the oven.

Before connecting the oven to the mains power supply, check that:

- the domestic wiring system is suitable for the power drawn by the oven (as specified on the rating plate)
- the voltage corresponds to the value given on the rating plate.

Note: For connection to the terminal block the maximum conductor size is 6 mm².



9 SECURE THE OVEN TO THE CABINETRY

- 1 Position the oven in the prepared cavity.

Important!

Do not lift the oven by the door handle.

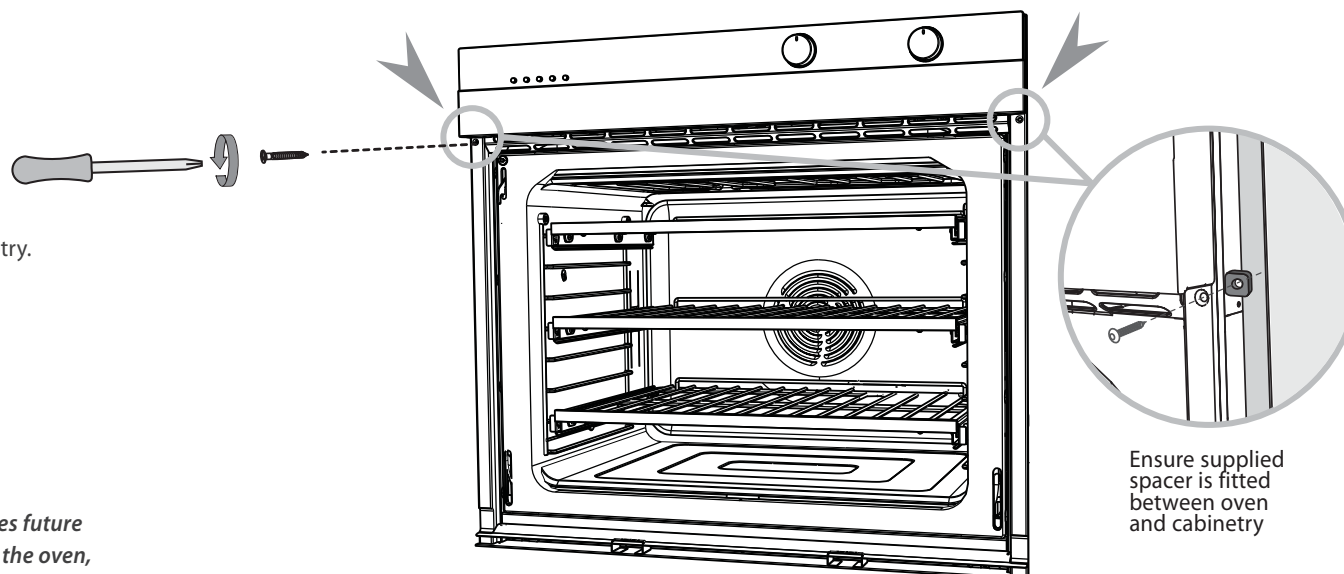
- 2 Use the supplied screws and spacers to secure the oven to the cabinetry.

Double oven models only:

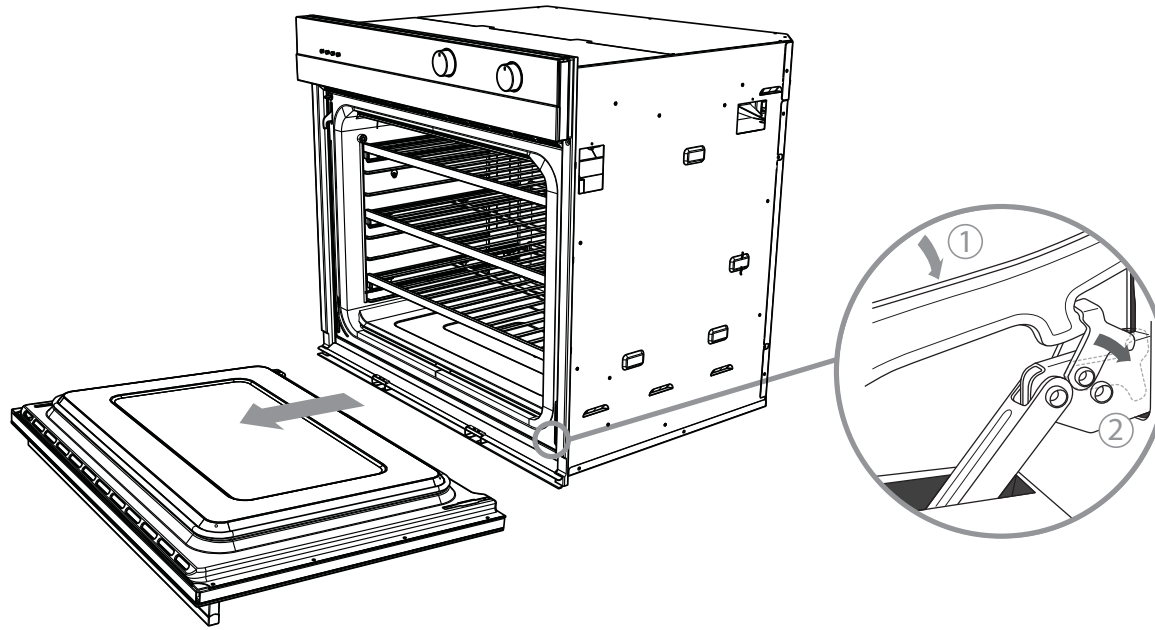
There are 4 screws and spacers provided (two per side).

Important!

- Do not over-tighten the screws.
- Take care not to damage the lower trim of the oven.
- Do not seal the oven into the cabinetry with silicone or glue. This makes future servicing difficult. Fisher & Paykel will not cover the costs of removing the oven, or of damage caused by this removal.



10 REFIT THE DOOR(S)



Important!

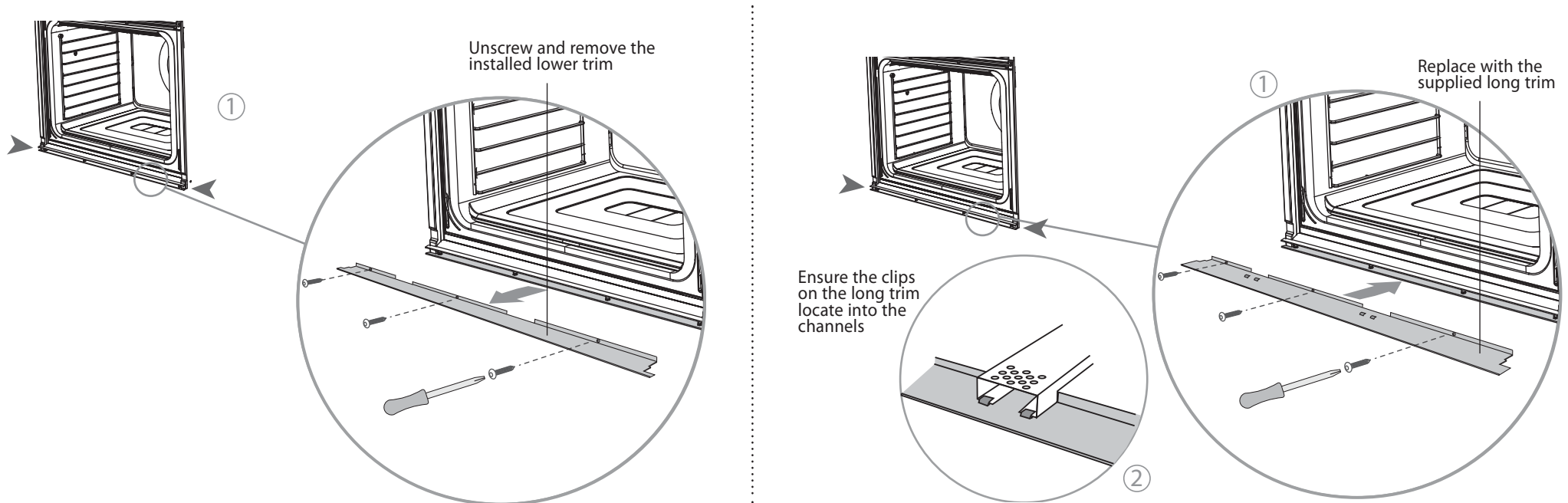
Do not lift the oven by the door handle.

1 Refit the door following the sequence in Step 7 in reverse order.

Double oven models only:

Refit both doors.

11 FLUSH INSTALLATION ONLY - REPLACE THE LOWER TRIM WITH THE SUPPLIED LONG TRIM



12 FINAL CHECKLIST

✓ TO BE COMPLETED BY THE INSTALLER

- Make sure the oven is level and securely fitted to the cabinetry.
- Check the lower trim is undamaged.
- Open the (lower) oven door slowly until it is fully open and check there is adequate clearance between the bottom of the door and the lower trim. This is to ensure correct air circulation. Should the lower trim become damaged, straighten the trim and ensure the oven door opens fully without obstruction.
- Make sure any cable ties and internal packaging has been removed from the oven cavity.
- Make sure all oven vents and openings are clear and free of any obstruction or damage.

Important!

Failure to make sure all oven vents are clear may result in poor product performance.

- Make sure the isolating switch is accessible by the customer.

TEST OPERATION:

- Turn the power to the oven on. The display should light up and show 24:00. Set the clock following the instructions in the 'Quickstart Guide'.
- Turn the oven function to 'Bake'. Inside the oven cavity, the oven light should come on. Air should blow out of the vent at the top of the oven. Have you demonstrated the basic operation to the customer?
- Turn the temperature to 50 °C. The temperature indicator should come on. After five minutes, open the oven door: the air inside should feel warm. Turn the oven function dial back to OFF.

Installer's name:

Installer's signature:

Installation company:

Date of installation:

LEAVE THESE INSTRUCTIONS WITH THE CUSTOMER

Important!

SAVE THESE INSTRUCTIONS

The models shown in this document may not be available in all markets and are subject to change at any time. For current details about model and specification availability in your country, please visit our website listed at the end of this document or contact your local Fisher & Paykel dealer.