

INSTALLATION INSTRUCTIONS

Induction cooktop

CI604ELTB, CI704ELTB & CI904ELTB
models

NZ AU

ELBA

BY FISHER & PAYKEL

⚠ WARNING!



Electrical shock hazard
Disconnect the appliance from the mains electricity supply before carrying out any work or maintenance on it.
Connection to a good earth wiring system is essential and mandatory. Alterations to the domestic wiring system must only be made by a qualified electrician.
Failure to follow this advice may result in electrical shock or death.

⚠ WARNING!



Cut Hazard
Take care - panel edges are sharp. Failure to use caution could result in injury or cuts.

IMPORTANT SAFETY INSTRUCTIONS

- Particular attention shall be given to the relevant requirements regarding ventilation.
- Read these instructions carefully before installing this product.
- Please make this information available to the person installing the appliance as it could reduce your installation costs.
- This appliance is to be installed and serviced only by an authorised person.
- Installation must comply with your local building and local electricity regulations.
- The manufacturer accepts no responsibility for the incorrect installation of appliances. Incorrect installation may result in personal injury, damage to property and may invalidate any warranty or liability claims.
- Do not modify this appliance.
- Do not use or store flammable materials on or near this appliance.
- Packing elements (eg plastic bags, polystyrene foam, staples, packing straps etc) and tools should not be left around during and after installation, especially if they are within easy reach of children, as these may cause serious injuries.

IMPORTANT!
SAVE THESE INSTRUCTIONS

The models shown in this installation guide may not be available in all markets and are subject to change at any time. For current details about model and specification availability in your country, please go to our website listed on the back cover or contact your local ELBA by Fisher & Paykel dealer.

IMPORTANT SAFETY INSTRUCTIONS

- **Before you install the appliance, please make sure that** a suitable disconnection switch is incorporated in the permanent wiring, mounted and positioned to comply with the local wiring rules and regulations. A means of disconnection with at least a 3 mm air gap contact separation in all poles must be incorporated into the fixed wiring in accordance with the wiring rules, unless the local wiring rules allow for alternative means.
- the benchtop is made of a heat resistant material.
- the power supply cable is not accessible through cupboard doors or drawers.
- there is adequate flow of cool air from the cabinetry to the base of the cooktop. You may ventilate from adjacent cupboards, but ensure that the available air supply will not be restricted.
- the ventilation area must be at least two 50mm diameter holes or of an equivalent area.
- the isolating switch is easily accessible by the customer.
- you use heat-resistant and easy-to-clean finishes (such as ceramic tiles) for the wall surfaces surrounding the cooktop.
- the cooktop will not be installed directly above a dishwasher, fridge, freezer, washing machine or clothes dryer, as the humidity may damage the cooktop electronics.

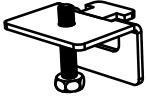
IMPORTANT SAFETY INSTRUCTIONS

- if the cooktop is installed above an oven, the oven has a built-in cooling fan.
- the installation will comply with all clearance requirements and applicable standards and regulations.
- you consult local building authorities and by-laws if in doubt regarding installation.

When you install the appliance

- **We do not recommend** you flush mount or seal this appliance into the bench with silicone or glue. Doing so will make future servicing difficult. ELBA by Fisher & Paykel will not be liable for any costs associated with removing or replacing a sealed-in appliance, nor for repairing any damage that may be incurred by doing this.
- Seal exposed bare edges of the cutout with an oil-based paint or moisture-proof polyurethane to prevent possible moisture creeping between the cooktop trim and the benchtop.
- Take extreme care not to chip, crack, or break the top glass surfaces during installation. A heavy metal tool or part accidentally dropped on the glass could damage it.
- If, after following the instructions given, correct performance cannot be achieved, please contact your nearest Fisher & Paykel Authorised Service Centre, Customer Care, or contact us through our local website listed at the end of this document.

② PARTS SUPPLIED



Clamping brackets (4)
and screws (4)



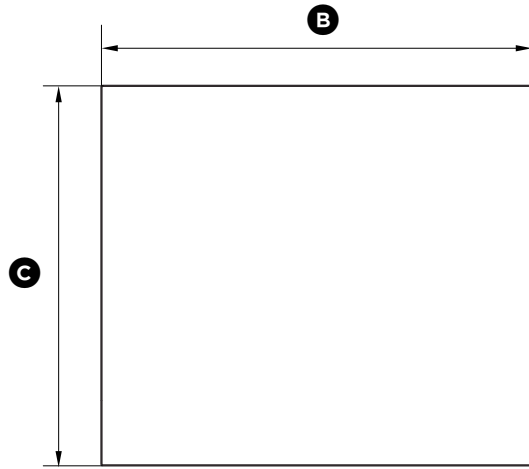
Foam tape (1)

Installing multiple products



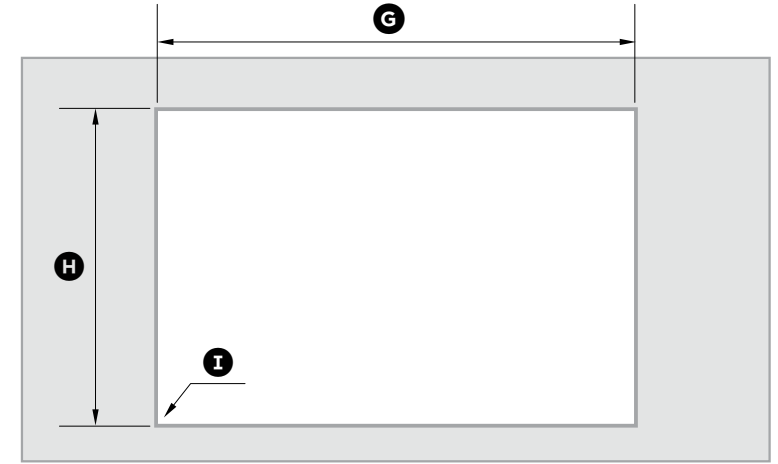
- **Note: We recommend installing products in separate cutouts with a minimum distance of 5 mm between the glass edges.**
- **If installing multiple products adjacent to each other within the same cutout, a separate joining strip kit is required for installation.**
- **The kit is available from the nearest ELBA by Fisher & Paykel Authorised Service Centre or our website www.fisherpaykel.com.**
- **If installing different products adjacent to each other (eg a wok burner next to an induction cooktop), the minimum clearance measurements for the different products may vary. Always use the greater distance.**

3 PRODUCT & CABINETY DIMENSIONS

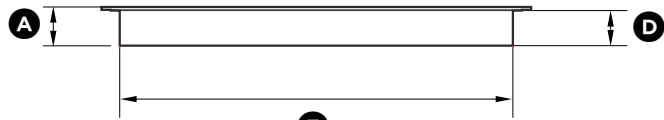


Note:
Electrical connection is made at the centre rear

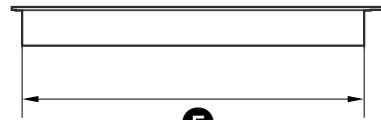
PLAN



PLAN



FRONT



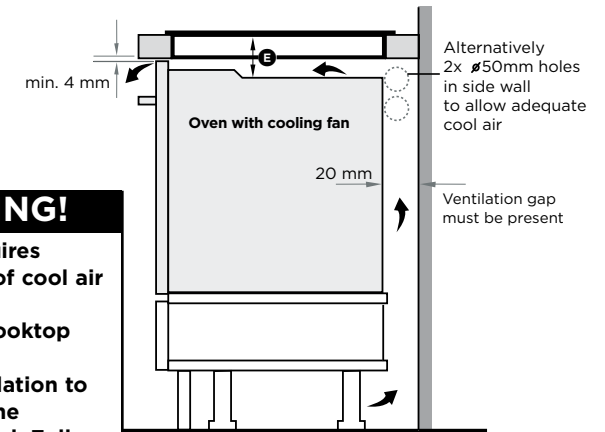
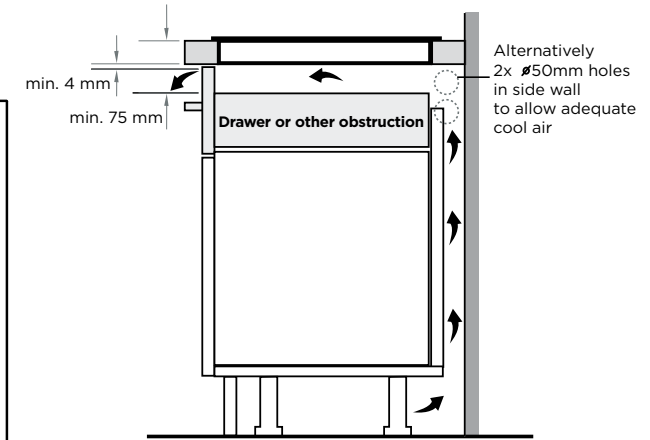
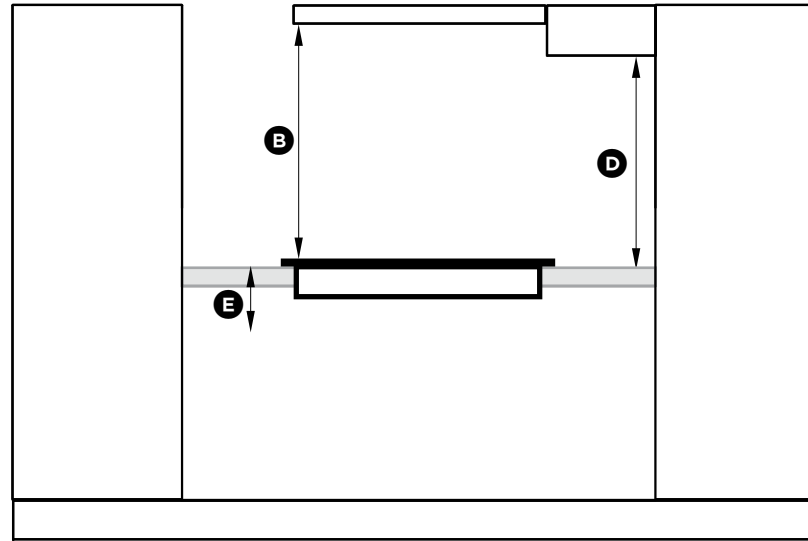
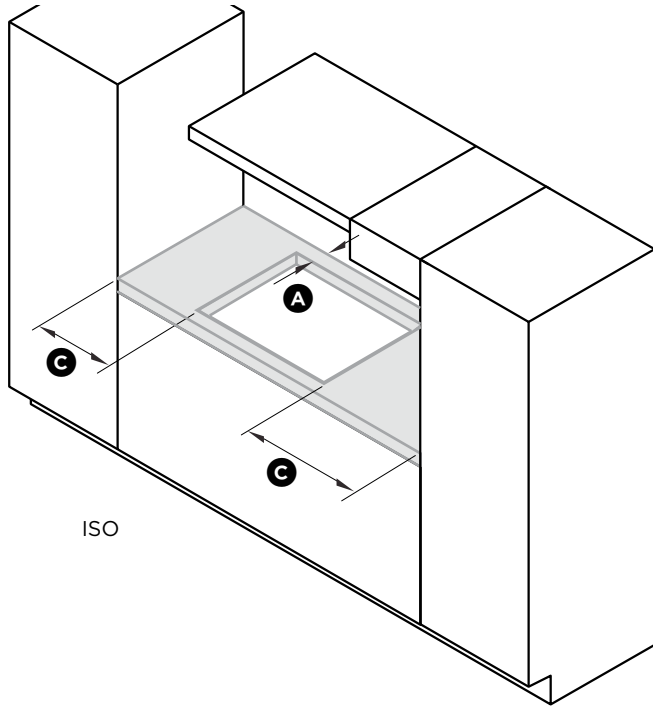
PROFILE



FRONT

| PRODUCT AND CABINETY DIMENSIONS | C1904ELTB | C1704ELTB | C1904ELTB |
|---|-----------|-----------|-----------|
| | mm | mm | mm |
| (A) Overall height of product (including terminal block below top of chassis) | 61 | 61 | 61 |
| (B) Overall width of product | 600 | 700 | 900 |
| (C) Overall depth of product | 530 | 530 | 530 |
| (D) Height of chassis (including terminal block below top of chassis) | 57 | 57 | 57 |
| (E) Width of chassis | 555 | 555 | 755 |
| (F) Depth of chassis | 485 | 485 | 485 |
| (G) Overall width of cutout | 560 | 560 | 760 |
| (H) Overall depth of cutout | 490 | 490 | 490 |
| (I) Corner radius of cutout | max. 10 | max. 10 | max. 10 |

④ CLEARANCE DIMENSIONS

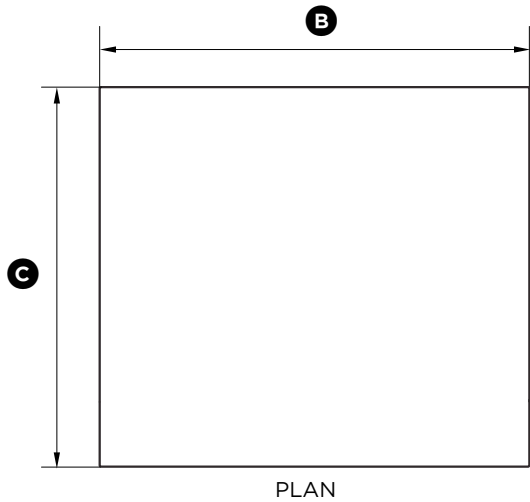


⚠ WARNING!
This cooktop requires adequate supply of cool air to fully function. The base of the cooktop must have direct unrestricted ventilation to the room where the cooktop is installed. Follow the requirements shown.

| CLEARANCE DIMENSIONS | CI604ELTB | CI704ELTB | CI904ELTB |
|---|-----------|-----------|-----------|
| | mm | mm | mm |
| (A) Minimum clearance from rear edge of cutout to nearest combustible surface | 30 | 30 | 30 |
| (B) Minimum clearance from glass surface to rangehood | 650 | 650 | 650 |
| (C) Minimum clearance from side edges of cutout to nearest combustible surface | 30 | 80 | 80 |
| (D) Minimum clearance from benchtop to overhead cabinet not directly above the cooktop | 450 | 450 | 450 |
| (E) Minimum clearance below top of benchtop to: Rear top of oven* installed below cooktop or cabinetry | 82 | 82 | 82 |

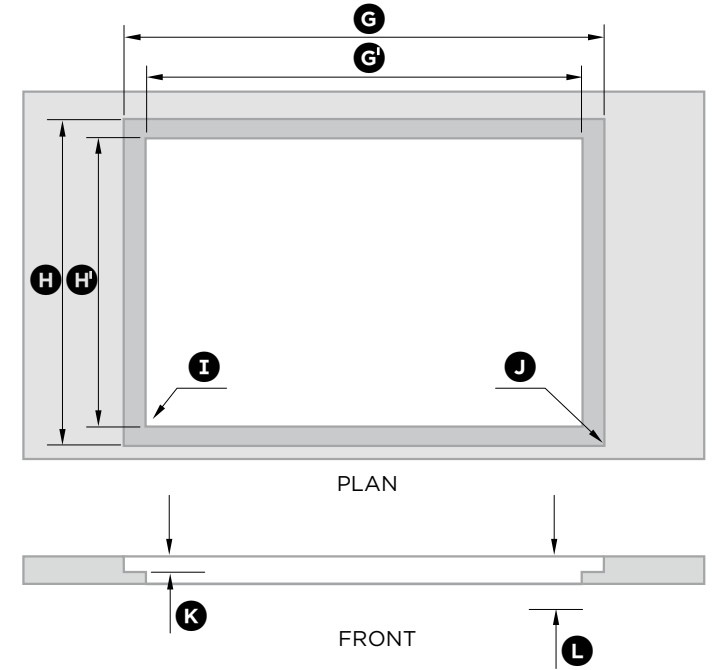
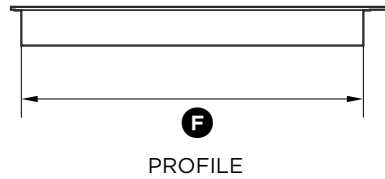
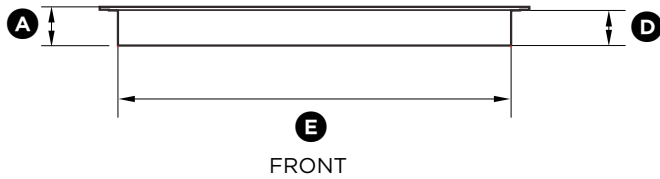
* The oven installed below the cooktop MUST have a cooling fan.

5 FLUSH MOUNTING INSTALLATION (NOT RECOMMENDED)



Note:
Electrical connection is
made at the centre rear

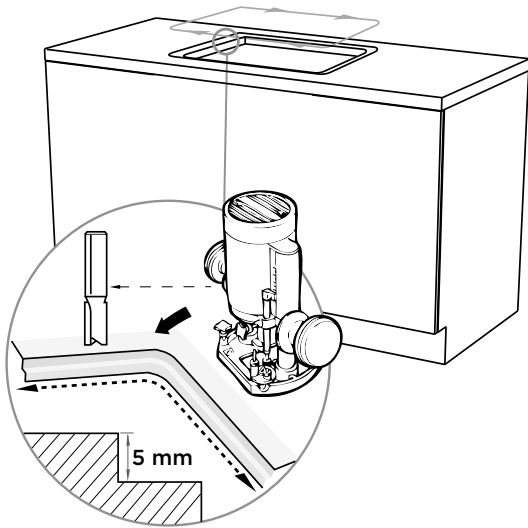
WARNING!
We do not recommend flush mounting and sealing as servicing requires the cooktop to be removed from the benchtop. The owner carries all risk for flush mounting the cooktop. The owner must ensure the cooktop has been cut out from the benchtop before servicing can be carried out. ELBA by Fisher & Paykel will not be liable for any costs associated with removing or replacing a flush-mounted and/or sealed-in product, nor for repairing any damage that may be incurred by doing this.



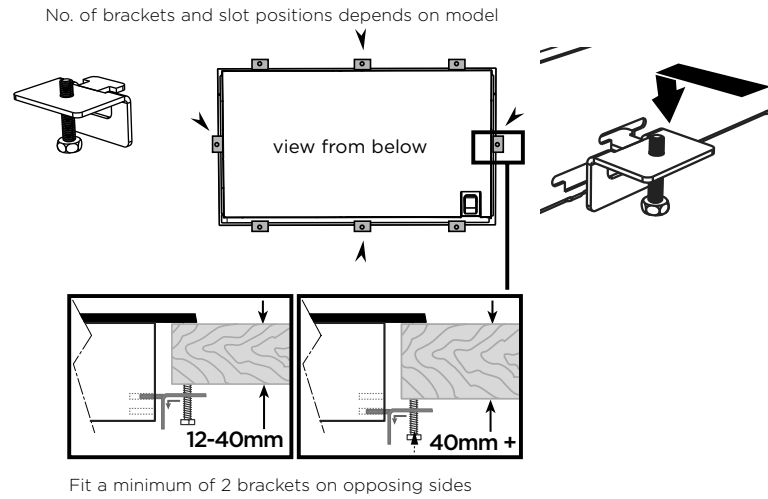
| PRODUCT AND CABINERY DIMENSIONS | CI604ELTB | CI704ELTB | CI904 ELTB |
|---|-----------|-----------|------------|
| | mm | mm | mm |
| (A) Overall height of product (including terminal block below top of chassis) | 61 | 61 | 61 |
| (B) Overall width of product | 600 | 700 | 900 |
| (C) Overall depth of product | 530 | 530 | 530 |
| (D) Height of chassis (including terminal block below top of chassis) | 57 | 57 | 57 |
| (E) Width of chassis | 555 | 555 | 755 |
| (F) Depth of chassis | 485 | 485 | 485 |
| (G) Overall width of routed recess | 605 | 605 | 905 |
| (G') Width of cutout | 560 | 560 | 760 |
| (H) Overall depth of routed recess | 535 | 535 | 535 |
| (H') Depth of cutout | 490 | 490 | 490 |
| (I) Corner radius of cutout | max. 10 | max. 10 | max. 10 |
| (J) Corner radius of routed recess | max. 2 | max. 2 | max. 2 |
| (K) Height of routed recess | 5 | 5 | 5 |
| (L) Minimum clearance below top of benchtop to: rear top of oven* installed below cooktop or cabinetry thermal protection barrier | 87 87 | 87 87 | 87 87 |

5 FLUSH MOUNTING INSTALLATION (NOT RECOMMENDED)

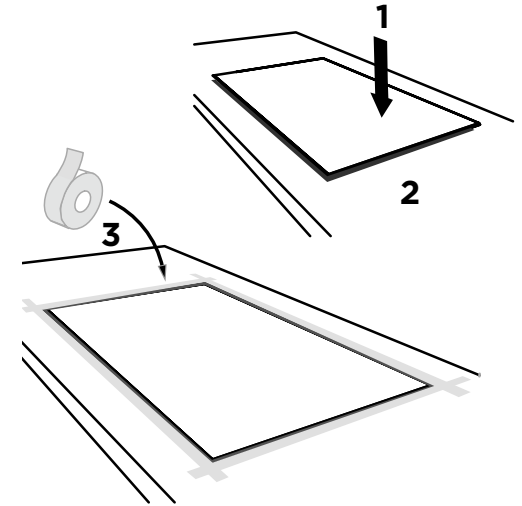
A ROUTER THE BENCHTOP TO THE SPECIFIED DEPTH



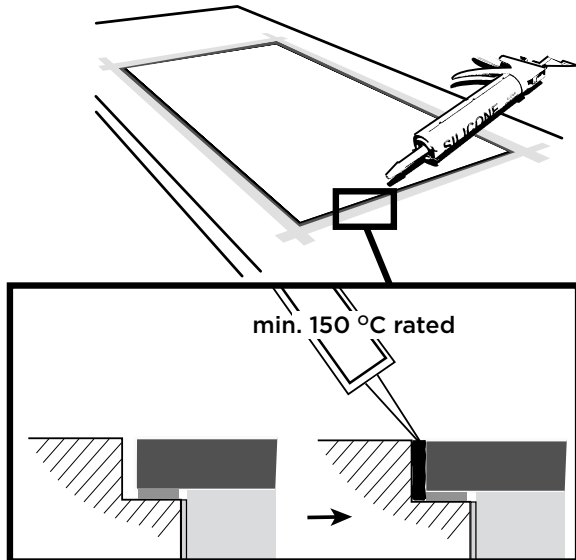
B FIT THE CLAMPING BRACKETS



C MASK OFF THE AREA TO BE SILICONED

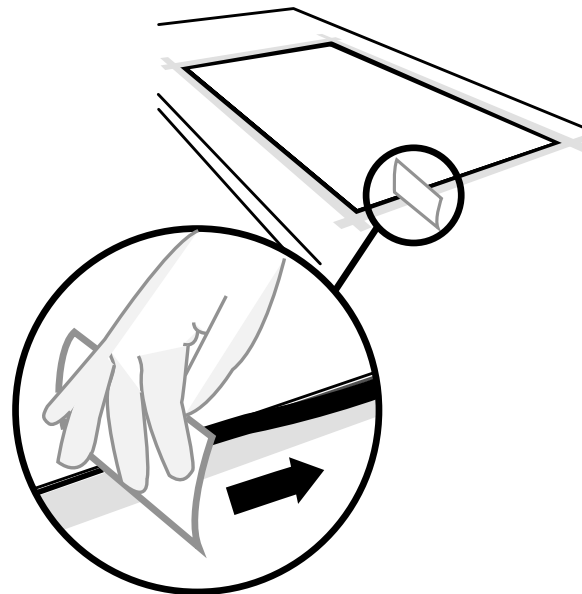


D APPLY SILICONE

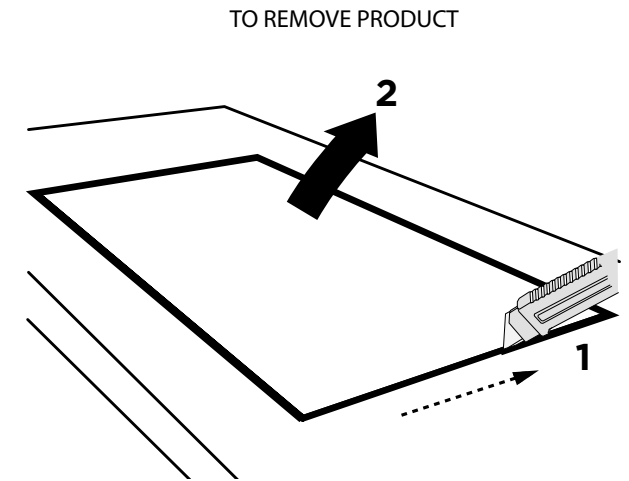


Ensure silicone does not leak underneath glass.

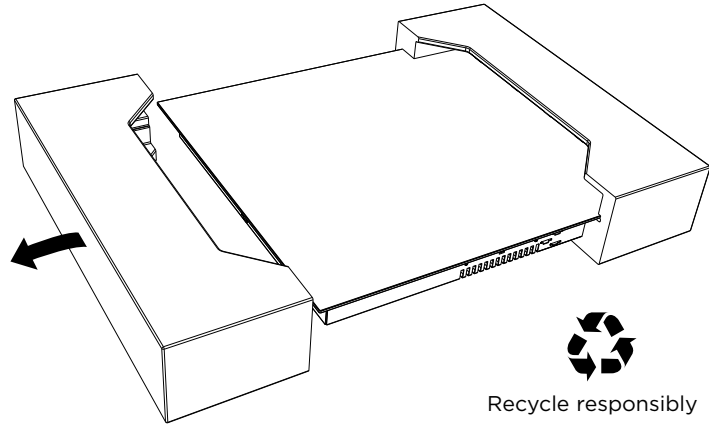
E WIPE OFF EXCESS SILICONE



F IF REMOVING PRODUCT, CUT AROUND THE SILICONE

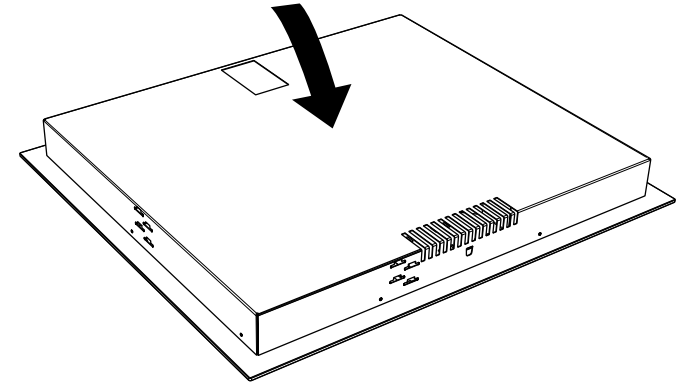


⑥ DISCARD PACKAGING

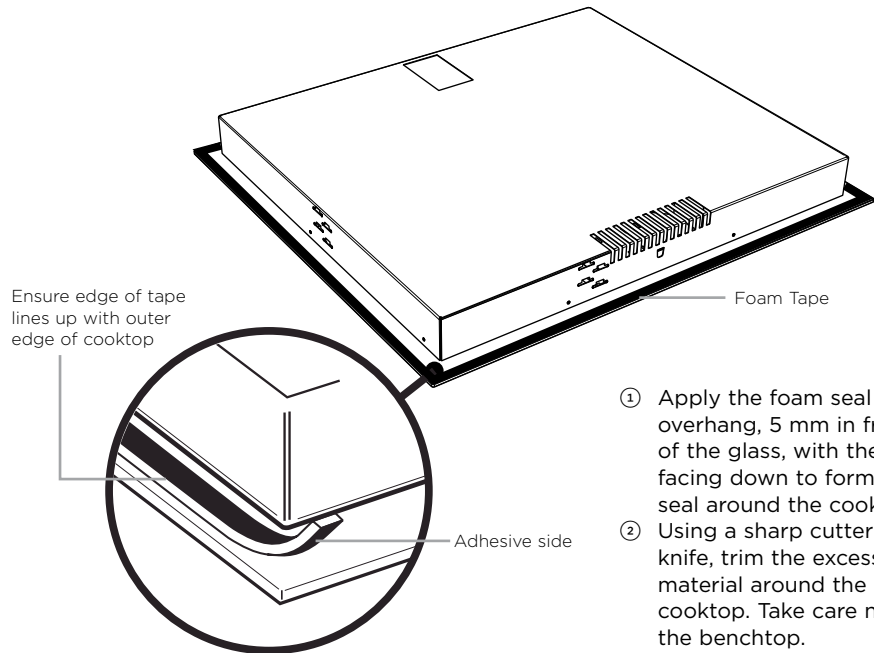


⑦ PLACE COOKTOP UPSIDE DOWN

IMPORTANT! - To avoid damage to the glass, ensure there is a protective cover underneath it.

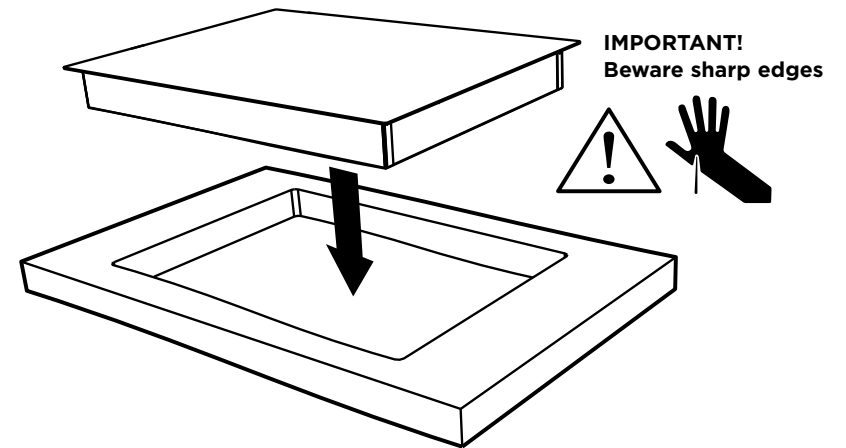


⑧ APPLY ADHESIVE FOAM TAPE AROUND GLASS EDGE



- ① Apply the foam seal around the glass overhang, 5 mm in from the edge of the glass, with the adhesive side facing down to form a continuous seal around the cooktop.
- ② Using a sharp cutter or trimmer knife, trim the excess sealing material around the edge of the cooktop. Take care not to damage the benchtop.

⑨ LOWER GENTLY INTO THE CUTOUT



10 CONNECTING THE COOKTOP TO THE MAINS POWER SUPPLY

IMPORTANT!

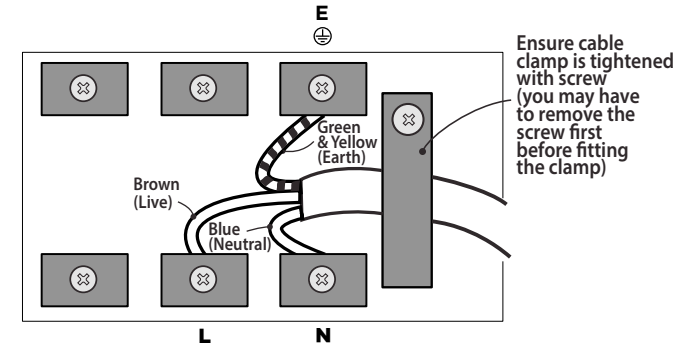
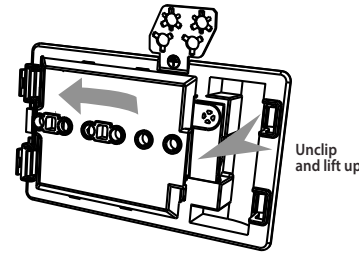
- This cooktop must be connected to the mains power supply only by a suitably qualified person.
- To connect the cooktop to the mains power supply, do not use adapters, reducers, or branching devices, as they can cause overheating and fire.
- The power supply cable must not touch any hot parts and must be positioned so that its temperature will not exceed 75 °C at any point.
- Check with an electrician whether the domestic wiring system is suitable without alterations. Any alterations must only be made by a qualified electrician.

Before connecting the cooktop to the mains power supply check that:

- The domestic wiring system is suitable for the power drawn by the cooktop.
- The voltage corresponds to the value given in the rating plate
- The power supply cable sections can withstand the load specified on the rating plate.

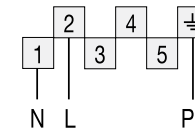
Power supply

| | |
|-----------|---------------------------|
| CI604ELTB | 7400W @ 220-240V 1N - 32A |
| CI704ELTB | 7400W @ 220-240V 1N - 32A |
| CI904ELTB | 7400W @ 220-240V 1N - 32A |



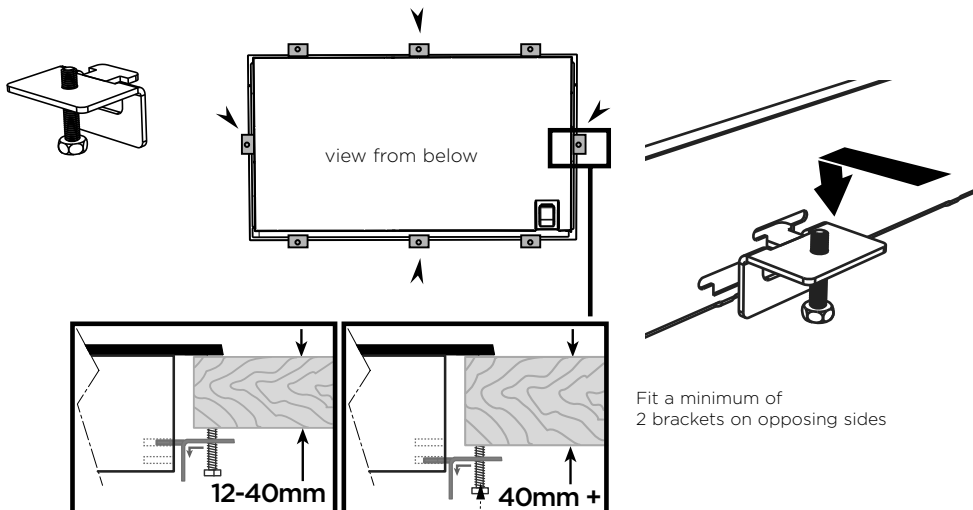
CI604ELTB, CI704ELTB1 CI904ELTB

Single-phase connection
220-240V~

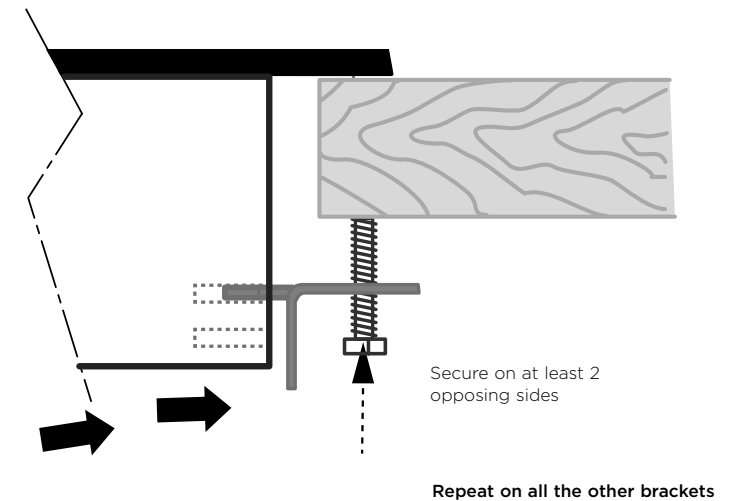


11 FIT CLAMPING BRACKETS BASED ON THE BENCHTOP THICKNESS

No. of brackets and slot positions depends on model



12 SECURE TO BENCHTOP



11 FINAL CHECKLIST



TO BE COMPLETED BY THE INSTALLER

- Is the cooktop earthed?
- Check that there is an adequate and constant flow of cool air from the cabinetry to the base of the cooktop.
- Check that the power supply cable is not accessible via cupboard doors or drawers and that it is NOT touching the cooktop.
- Is the cooktop clamped down securely?
- Check that the pan detection feature is working correctly. Turn on each cooking zone without putting any cookware on them. Are all the displays flashing?
- Check that all the cooking zones function correctly. Place suitable pans with water in them on each zone, then turn all of them on to a high setting. Is the water heating?
- Are all touch controls and displays functioning?
- To check that the 'hot surface' indicators function correctly, turn off all the zones. Is *H* displayed in all the cooking zone displays?

- Have you demonstrated the basic operation to the customer?

Make sure you explain to the customer about

- ① the importance of taking note of the safety warnings at the beginning of the user guide, especially for persons with pacemakers or other electrical implants.
- ② the 'hot surface' indicators.
- ③ using induction suitable cookware only.
- ④ the pan detection feature.

Complete and keep for safe reference:

Model _____

Serial No. _____

Purchase Date _____

Purchaser _____

Dealer Address _____

Installer's Name _____

Installer's Signature _____

Installation Company _____

Installation Date _____

www.elba.co.nz
www.elba.com.au

Copyright © Fisher & Paykel Appliances. 2016. All rights reserved.
The product specifications in this booklet apply to the specific products and models described at the date of issue. Under our policy of continuous product improvement, these specifications may change at any time. You should therefore check with your Dealer to ensure this booklet correctly describes the product currently available.

NZ AU