

ELBA

BY FISHER & PAYKEL

Solid hotplate cooktops
CE302 & CE604 models

**Installation instructions
and User guide**

NZ AU

Safety and warnings	2
Installation instructions	4
Introduction	14
Using your cooktop	16
Care and cleaning	19
Warranty and service	20

Important!

SAVE THESE INSTRUCTIONS

The models shown in this user guide may not be available in all markets and are subject to change at any time. For current details about model and specification availability in your country, please visit our local website listed on the back cover or contact your local Fisher & Paykel dealer.

Important safety instructions

Installation

! WARNING!



Cut Hazard

Beware of sharp edges when handling appliances.

Failure to use caution could result in injury or cuts.

! WARNING!



Electrical Shock Hazard

Before carrying out any work on the electrical section of the appliance, it must be disconnected from the mains electricity supply.

Connection to a good earth wiring system is absolutely essential and mandatory.

Failure to do so could result in death or electrical shock.

- *This appliance is to be installed only by an authorised person.*
- *Ensure the benchtop is square and level and ensure no structural members interfere with space requirements.*
- *Ensure a suitable disconnection switch is incorporated in the permanent wiring, mounted and positioned to comply with the Local Wiring Rules and Regulations.*
- *Use easy-to-clean finishes for the wall surfaces surrounding the cooktop to aid removal of any cooking fume staining resulting from the use of the cooktop.*
- *Consult local building authorities and by-laws if in doubt regarding installation.*
- *Ensure that the power supply cable is not accessible via cupboard doors after installation.*
- *Ensure that there is adequate clearance between the cutout and the rear and/or side walls.*

Important safety instructions

Operation

WARNING!



Hot Surface Hazard

Accessible parts of this appliance will become hot during use.

Care should be taken to avoid touching the hotplates.

Keep children away.

Failure to do so could result in burns and scalds.

WARNING!



Electrical Shock Hazard

Switch the cooktop off at the wall before cleaning or maintenance.

Failure to do so may result in death or electrical shock.

- *Household appliances are not intended to be played with by children.*
- *Children, or persons with a disability which limits their ability to use the appliance, should have a responsible person to instruct them in its use. The instructor should be satisfied that they can use the appliance without danger to themselves or their surroundings.*
- *Handles of saucepans may be hot to touch. Check saucepan handles do not overhang other elements that are on. Keep handles out of reach of children.*
- *Do not use a steam cleaner.*
- *Do not use harsh/abrasive cleaning agents to clean your cooktop.*

Important!

- *Read these instructions carefully before installing or using this product.*
- *Please make this information available to the person responsible for installing the product as it could reduce your installation costs.*
- *In order to avoid a hazard, this appliance must be installed according to these instructions for installation.*

This cooktop has been designed and constructed in accordance with the following codes and specifications:

AS/NZS 60335-1 General Requirements for Domestic electrical appliances

AS/NZS 60335-2-6 Particular Requirements for Domestic electrical cooking appliances

AS/NZS CISPR 14.1: 2010 Electromagnetic Compatibility Requirements.

Product dimensions and clearances

The installation shall comply with the dimensions in Figs. 1 and 2, bearing in mind the following requirements:

- **A minimum clearance of 40 mm for CE302 models and 30 mm for CE604 models** has to be kept between the bottom of the cooktop and the top of an underbench appliance or a thermal protection barrier (see Figs. 5-7).
- **Overhead clearances** - In no case shall the clearance between the highest part of the cooktop and a range hood be less than 600 mm. Any other downward-facing combustible surface less than 600 mm above the highest part of the cooktop shall be protected for the full width and depth of the cooking surface area in accordance with local regulations in force. However, in no case shall this clearance to any surface be less than 450 mm.
- **Side clearances** - Where the distance from the periphery of the nearest hotplate to any vertical combustible surface is less than 50 mm (CE302 models) or 100 mm (CE604 models), the surface shall be protected in accordance with with local regulations in force to a height of not less than 150 mm above the cooktop for the full dimension (width or depth) of the cooking surface area. Note: one side of the cooktop must always be kept clear.
- **Protection of combustible surfaces** - The required protection shall ensure that the surface temperature of combustible surfaces does not exceed 50 °C above ambient.
- To comply with this requirement satisfactorily, fix 5mm-thick ceramic tiles to the surface or attach fire-resistant material to the surface and cover with sheet metal (minimum thickness 0.4 mm).

Important!

- *The underside surface of the cooktop can reach a temperature exceeding 95 °C during normal use.*

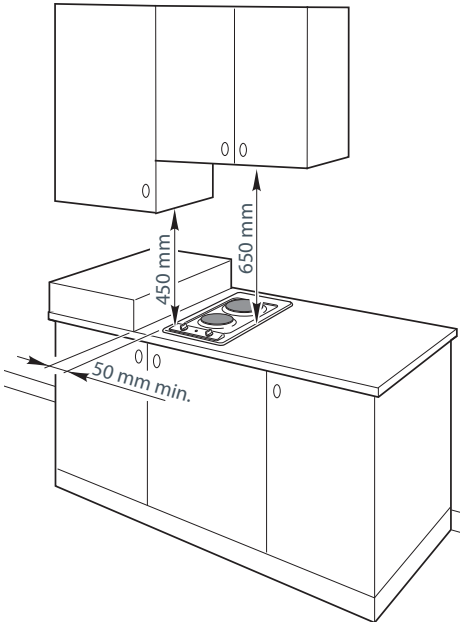


Fig. 1 CE302 models clearances

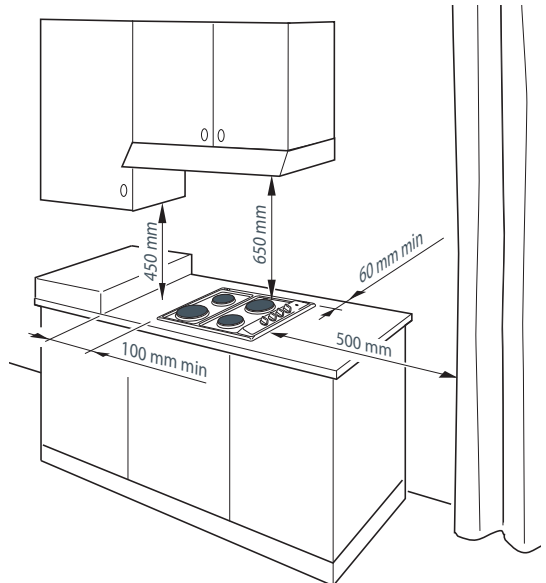


Fig. 2 CE604 models clearances

6 Installation instructions

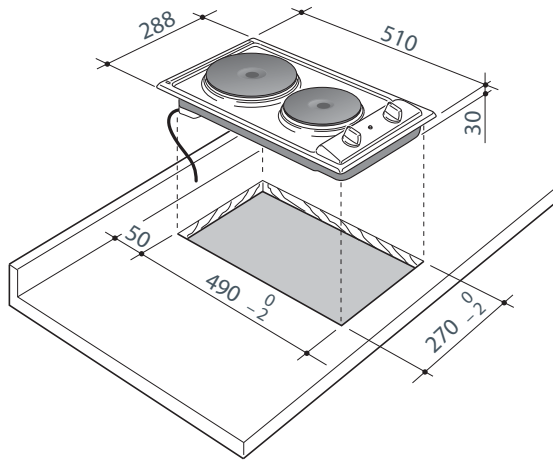


Fig. 3 CE302 models product and cutout dimensions

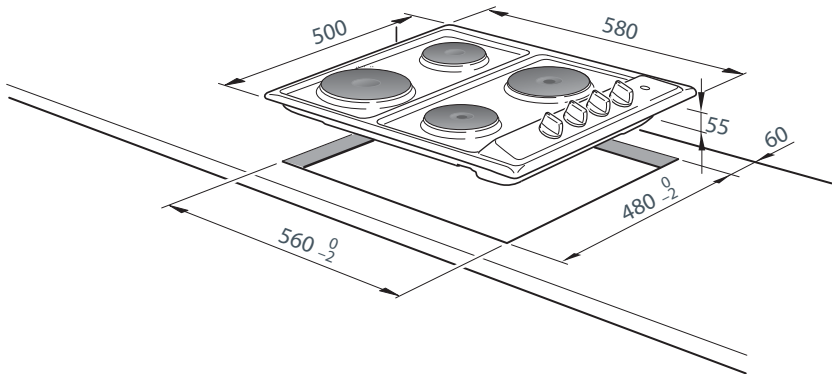


Fig. 4 CE604 models product and cutout dimensions

Installing a thermal protection barrier

Important!

If the cooktop is installed over drawers or cupboards and its underside surface thus becomes accessible after installation, a thermal protection barrier must be fitted at least 40 mm (for CE302 models) or 30 mm (for CE604 models) beneath the base of the cooktop (see Figs. 5 and 6). This barrier must be made of low thermal conductivity material installed according to the instructions for installation.

Note:

- The requirement above is not applicable if the cooktop is installed directly above an oven.
- For access to the cooktop for servicing or installation, ensure that the barrier can be removed from beneath.
- A gap of 20 mm may be allowed at the rear of the barrier (see Fig.7) for electrical connection and ventilation.

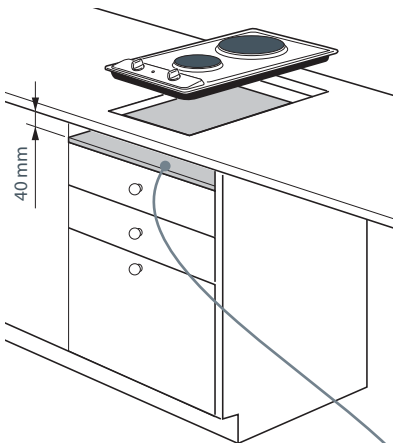


Fig. 5 Minimum clearance for thermal protection barrier - CE302 models

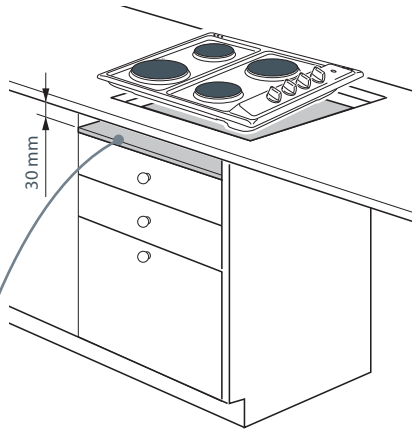


Fig. 6 Minimum clearance for thermal protection barrier - CE604 models

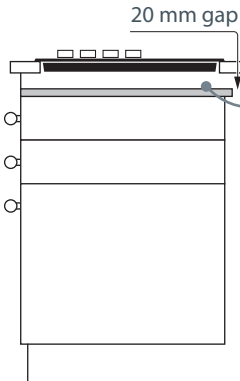


Fig. 7 Side sectional view

Thermal protection barrier

(min. 15 mm thick)

This must be fitted for the full length of the cooktop below the bench, and be removable for installation and service.

Fastening the installation brackets

- Each cooktop is provided with an installation kit including brackets and screws for fastening the cooktop to benches from 20 to 40 mm thick.
 - CE302 models are provided with four F type brackets.
 - CE604 models are provided with two R type brackets (for the rear of the cooktop) and two F type brackets (for the front of the cooktop).
- 1 Create a cutout according to the dimensions in Fig.3 or Fig.4.
 - 2 Stretch gasket "D" (Figs. 10 and 11) over the edge of the cutout, being careful to overlay the junction edges.
 - 3 Turn the cooktop upside down, place it on a soft surface and fasten the brackets F and R to the appropriate socket holes, without tightening the screws B for the moment. Make sure that the tabs are mounted correctly, as shown. Rotate the tabs so that the cooktop can be put into the cutout.
 - 4 Put the cooktop into the cutout and position it correctly.
 - 5 Put the brackets F and R into place; tooth A of the brackets should go into the hole (Figs. 10 and 11).
 - 6 Tighten screws B until the cooktop is completely secured to the bench.
 - 7 Using a sharp cutter or trimmer knife, trim the excess sealing material around the edge of the cooktop. Take care not to damage the workbench.

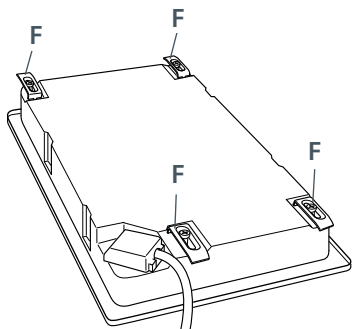


Fig. 8 CE302 models

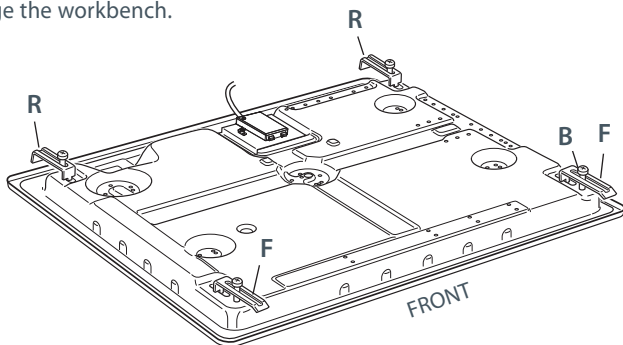


Fig. 9 CE604 models

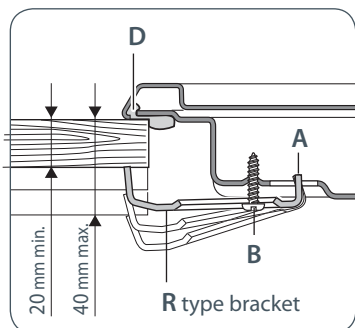


Fig. 10 CE604 models rear side

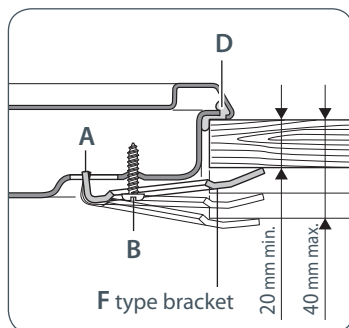


Fig. 11 CE302 models front and rear side
CE604 models front side

Electrical requirements

- The appliance must be connected to the mains electricity supply checking that the voltage corresponds to the value given in the rating plate and that the power supply cable sections can withstand the load specified on the plate.
- Power supply cable and plug are NOT supplied with the appliance. A suitable cable has to be connected as shown in Figs. 12 - 14 (CE302 models) or Figs. 15-17 (CE604 models).
- A suitable disconnection switch must be incorporated in the permanent wiring, mounted and positioned to comply with the local wiring rules and regulations. The switch must be of an approved type installed in the fixed wiring and provide a 3 mm air gap contact separation in all poles in accordance with the local wiring rules.
In Australia and New Zealand, a switch of the approved type with a 3 mm air gap must be installed in the active (phase) conductor of the fixed wiring.
- CE302 models only: It is possible to fit a standard 15 A plug suitable for the power drawn by the appliance. The plug must be connected to an earthed socket in compliance with safety standards.
- CE604 models only: due to the rating of the appliance, it is NOT possible to use a standard plug. The cooktop must be connected to the electrical system by using fixed wiring.
- The power supply cable must not touch any hot parts and must be positioned so that it does not exceed 50°C above ambient.
- Once the appliance has been installed, the switch or socket must always be accessible.
- If the power supply cable is damaged, it must only be replaced by the manufacturer or its Service Agent or a similarly qualified person in order to avoid a hazard.
- This appliance must be earthed.
- If the installation requires alterations to the domestic electrical system call a qualified electrician. The electrician should also check that the socket cable section is suitable for the power drawn by the appliance.

10 Installation instructions

Connecting the power supply cable - CE302 models

- 1 Turn the cooktop over, place it on a soft surface, and unhook the terminal block cover by inserting a screwdriver into the two hooks **A** (Fig. 12).
- 2 Open the cable clamp by unscrewing screw **F** (Fig. 14) and unscrew the terminal screws.
- 3 Connect mains and earth wires to their respective terminals in accordance with the connection diagram (Fig.13).
- 4 Tighten the power supply cable, and fix it with clamp **F**.
- 5 Replace the terminal block cover correctly, keeping the power supply cable tight.

Use H05RR-F cables or equivalent rated minimum V-90.

- 230-240 V~ 3000-3300 W 50 Hz

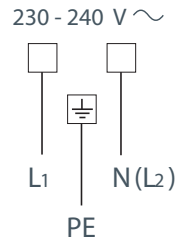


Fig. 13 Connection diagram

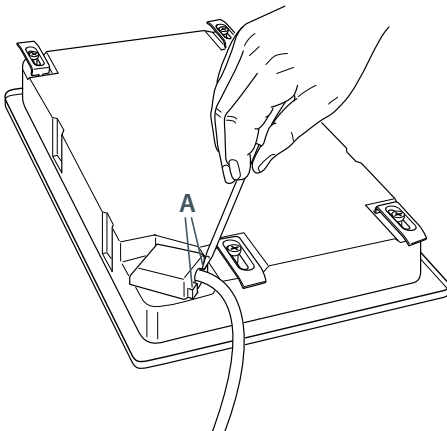


Fig. 12 Unhooking the terminal block cover

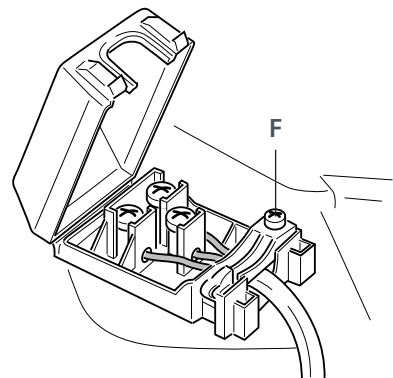


Fig. 14 Fixing the power supply cable

Connecting the power supply cable - CE604 models

- 1 Turn the cooktop over and place it on a soft surface.
- 2 Unhook the terminal board cover by inserting a screwdriver into the two hooks **C** (fig. 15).
- 3 Unscrew the screw **D** and open completely the cable clamp **E** (fig. 17).
- 4 Check the bridging links **F** are inserted into terminal block **A** as shown (Figs. 16 - 17).
- 5 Connect the phase, neutral and earth wires to terminal board **A** according to the diagrams in figs. 16 - 17.
- 6 Strain the feeder cable and block it with cable clamp **E** (by screwing screw **D**).
- 7 Close the terminal block cover (check the two hooks **C** are correctly hooked).

Important!

To connect the power supply cable **DO NOT** unscrew the screws fixing the cover plate **B** behind the terminal block.

Power supply special cable section type "H05V2V2-F" or equivalent rated minimum V-90.

Resistance to temperatures of 90°C

- 230-240 V~ 6000-6500 W 50 Hz (27A)

230-240 V ~ 50 Hz

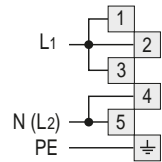


Fig. 16 Connection diagram

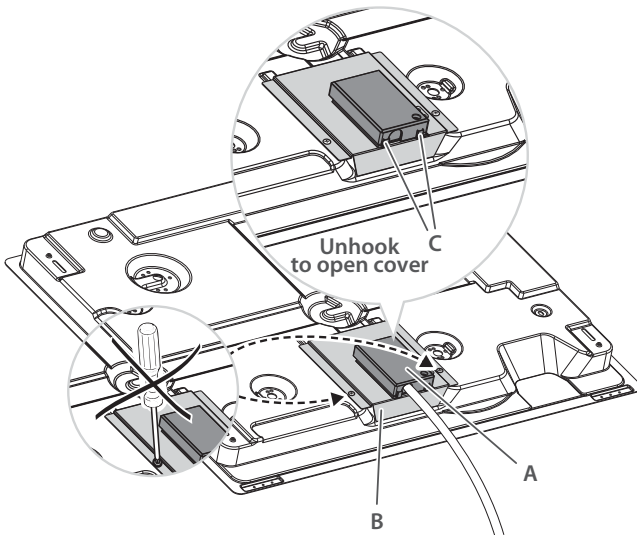


Fig. 15 Connecting the power supply cable

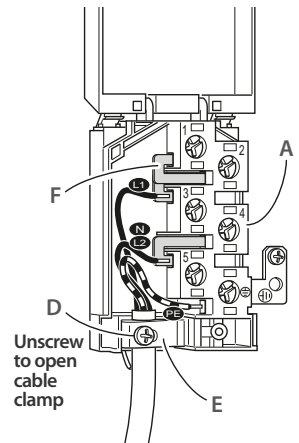
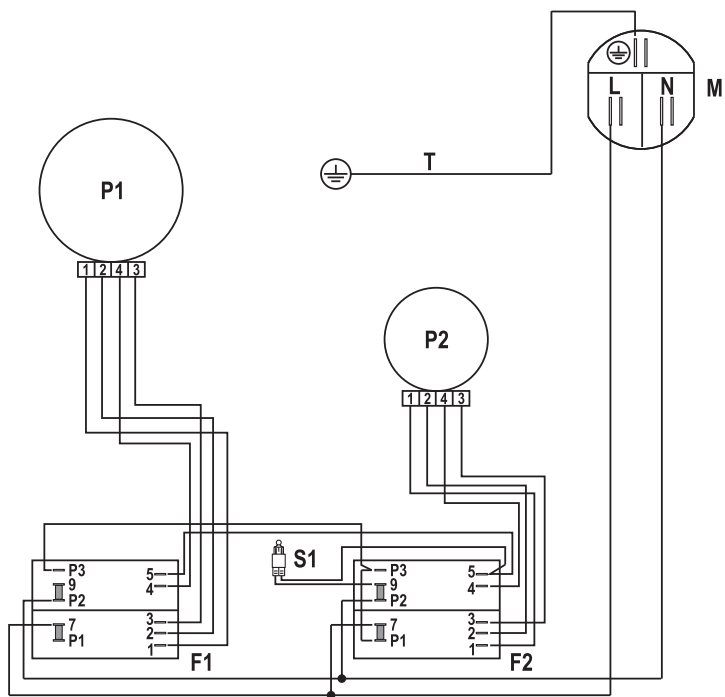


Fig. 17 Bridging links

12 Installation instructions

Wiring diagram - CE302 models

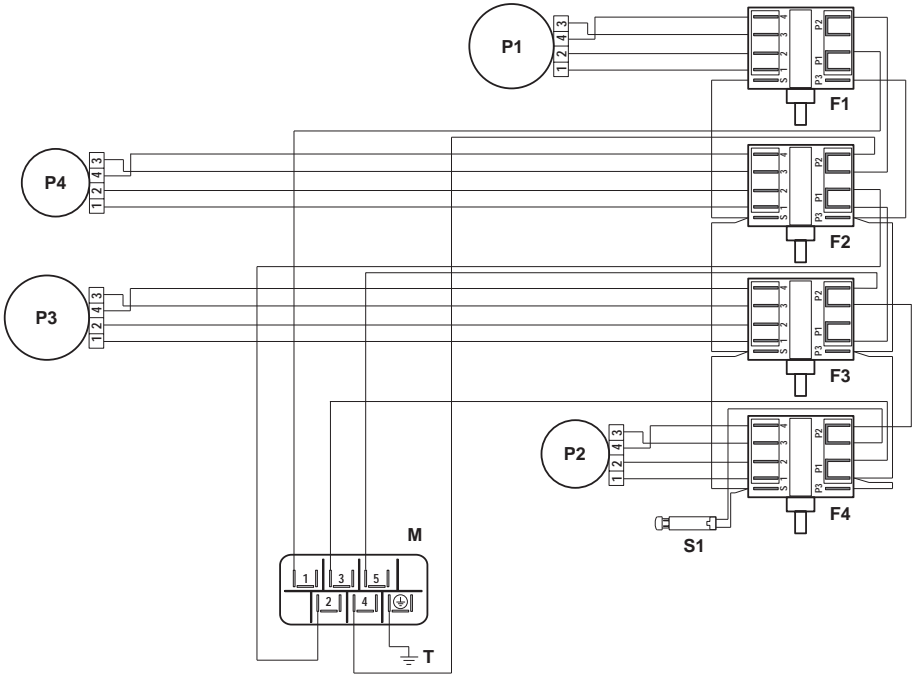


Key

Fig. 18 CE302 wiring diagram

F1/2	Hotplate switches	P2	Regular hotplate 1000 W - 230 V
S1	Line pilot lamp	M	Terminal block
P1	Rapid hotplate 2000 W - 230 V	T	Earth connection

Wiring diagram - CE604 models



Key

Fig. 19 CE604 wiring diagram

F1/2/3/4	Hotplate switches	P3	Regular hotplate 1500 W - 230 V
S1	Line pilot lamp	P4	Regular hotplate 1000 W - 230 V
P1	Rapid hotplate 2000 W - 230 V	M	Terminal block
P2	Rapid hotplate 1500 W - 230 V	T	Earth connection

Installation checklist

Please check through the list provided to ensure correct installation.

- Is the product earthed?
- Check that the power supply cable is NOT touching the product.
This will ensure that the cable is not damaged by heat from the product.
- Is the product clamped down securely?

About your new cooktop

Thank you for buying an ELBA electric cooktop. Once it is installed and ready to use, you will want to know everything about it to make sure you get excellent results right from the start. This guide introduces you to all its special features. We recommend you read the whole guide before using your new cooktop, for both safety and cooking success.

Before using your new cooktop

Before using your new cooktop, please read this user guide, taking special note of the 'Safety and warnings' section.

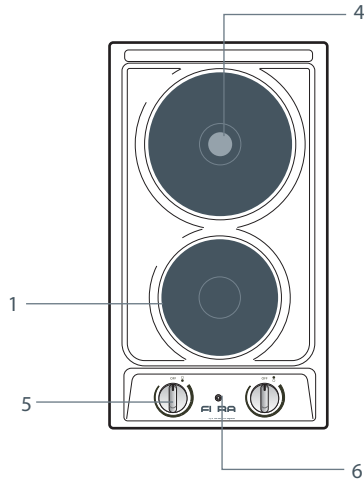


Fig.20 Cooktop layout - CE302 models

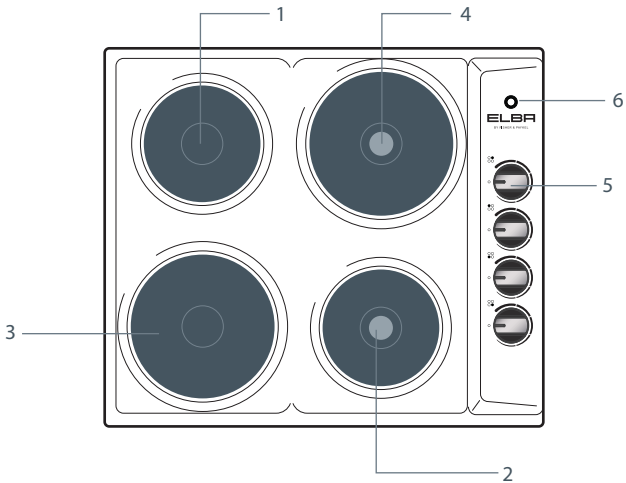


Fig.21 Cooktop layout - CE604 models

- 1 1000 W regular hotplate
- 2 1500 W rapid hotplate
- 3 1500 W regular hotplate
- 4 2000 W rapid hotplate
- 5 Control knobs
- 6 Hotplate ON indicator light

First use

Before using the cooktop for the first time, you need to remove any protective coating that may still be on the hotplates. After you've removed the protective coating, boil a saucepan of water on each plate for about 10 minutes. There will be a distinctive smell and some light smoke visible while this is happening. This is normal, but make sure your kitchen is well ventilated during this process. The smell and smoke will disappear when the process is complete.

Using your cooktop

- 1 Make sure that all the temperature control knobs are turned to OFF / O.
- 2 Switch on the electricity.
- 3 Select the hotplate you require. The rapid hotplates (with a red dot in the middle) heat up 30% faster than the regular hotplates. The red dots do not change colour with heat.
- 4 Turn the temperature control knob to the setting you require. Note that the knobs have six distinct heat settings (see Figs. 22-24). Do not try to leave the knobs in intermediate positions.

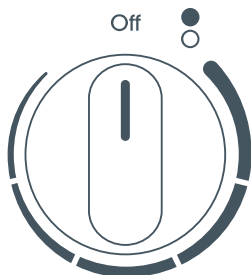


Fig. 22 CE302 models temperature control knob

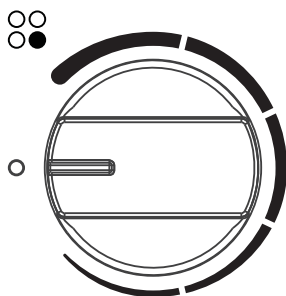


Fig. 23 CE604 models temperature control knob

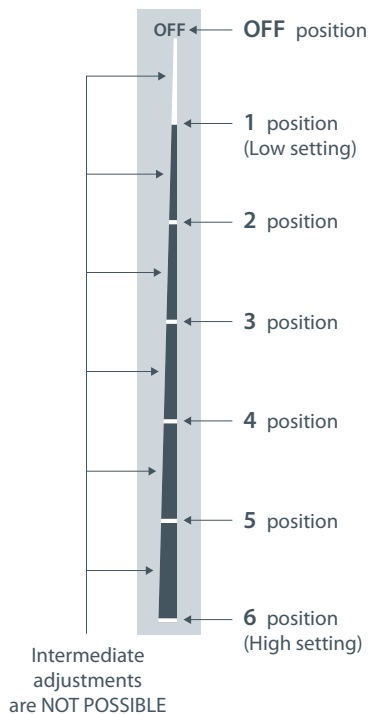


Fig. 24 Control knob settings

Cookware and cooking tips

- Use pans with thick flat bases, as they are the most effective. It is worth buying good quality pans to get the best results from your cooktop.
- Use a pan with a base that matches the diameter of the hotplate.
- Ensure that the bottom of the pan you are using is dry.
- Use pans with tight fitting lids to reduce cooking time and save energy.
- To reduce the cooking time, set the hotplate to the maximum at the beginning and then reduce it later.
- The electric plate retains heat, so you can turn off the heat a short time before you finish cooking.

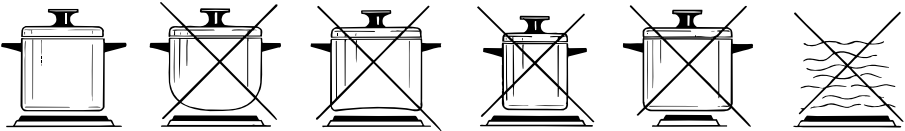


Fig. 25 Suitable and unsuitable uses of the pans and hotplate

Important!

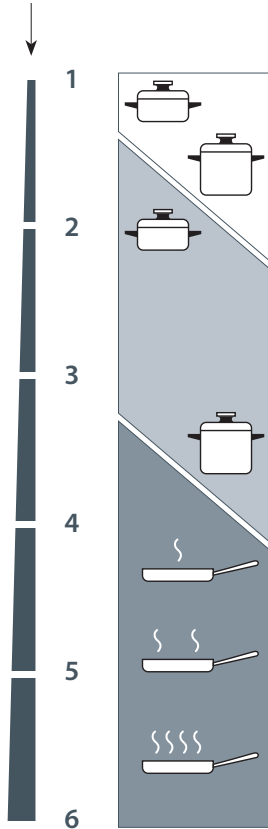
- ***Never turn on a hotplate without any saucepans on it. This is a hot surface hazard, and could heat up the control panel and the adjacent benchtop.***
- ***Never cook food directly on the hotplates. Always use a pan or suitable container.***
- ***Do not place any wet or steamed-up lids on an unused hotplate, as this will lead to rust.***
- ***Do not use decorative covers over the hotplates as these hold condensation which causes rust. The covers could also become dangerously hot if a hotplate was accidentally turned on.***
- ***Never leave handles overhanging the benchtop or other hotplates.***

18 Using your cooktop

The following tables contain guidelines to show recommended heat settings for cooking different types of food with your cooktop.

Exact settings will depend on the type of pan and quantity of food being cooked.

Temperature control knob



- = Warming
- = Cooking
- = Frying

Electric hotplate usage table

Knob setting	Type of cooking
OFF/ 0	Switched OFF
1 2	For melting butter or chocolate.
2	To keep foods warm or heat small quantities of water.
3	To heat greater quantities of water, and to reheat and simmer soups and stews.
4	For all kinds of fried foods, steaks, cutlets and boiling without a lid, egg pasta.
4 5	For browning meat, cooked potatoes, fried fish.
6	Boiling large quantities of water, rapid frying, grilled steaks, etc.

Fig. 26 Suggested heat settings for cooking different types of food

General advice

- Before you begin cleaning, you must ensure that the cooktop is switched off.
- Allow the cooktop to cool down before cleaning.
- Avoid leaving acidic substances (lemon juice, vinegar etc.) on the surfaces.

Stainless steel

- Stainless steel parts should be rinsed with water and dried with a soft and clean cloth.
- For burnt-on or difficult spills, use specific stainless steel non-abrasive products available commercially or a little hot vinegar.

Control knobs

- The control knobs may be removed for cleaning.
- CE302 models only: when you remove the control knobs for cleaning, take care not to damage the seal.

Electric hotplates

- Electric hotplates are made of cast iron and though durable, will rust if moisture is left on them regularly.
- Do not place wet lids from other pans onto an unused hotplate.
- Always clean when the hotplate is tepid.
- Use a soft cloth, dampened, or a specific commercial cleaner. To finish off, use a soft cloth with a little oil.
- Do not use water, to avoid the formation of rust.

Important!

Do not use steam cleaners because the moisture could get inside the appliance and make it dangerous.

20 Warranty and service

Before you call for service or assistance ...

Check the things you can do yourself. Refer to the installation instructions and your user guide and check that:

- 1 your product is correctly installed.
- 2 you are familiar with its normal operation.

If after checking these points you still need assistance or parts, please refer to the Service & Warranty book for warranty details and your nearest Authorized Service Centre, Customer Care or contact us through our local website listed on the back cover.

Product details

Fisher & Paykel Ltd

Model _____ Serial no. _____

Date of purchase _____ Purchaser _____

Dealer _____ Suburb _____

Town _____ Country _____

www.elba.co.nz
www.elba.com.au

ELBA

BY FISHER & PAYKEL

Copyright © Fisher & Paykel 2012. All rights reserved.

The product specifications in this booklet apply to the specific products and models described at the date of issue. Under our policy of continuous product improvement, these specifications may change at any time. You should therefore check with your Dealer to ensure this booklet correctly describes the product currently available.