

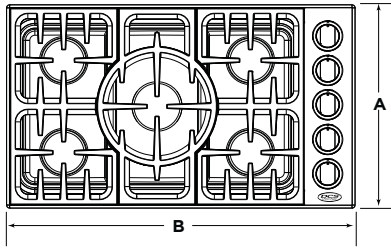


## Drop-in Cooktop Product Dimensions

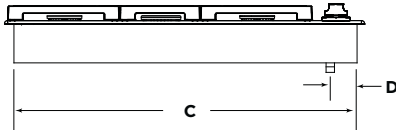
CDU-365 & CDU-304  
CDV-364 & CDV-30

### CDU-365, CDV-365

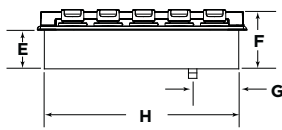
Top View



Front View

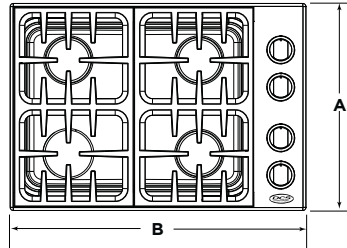


Right Side View

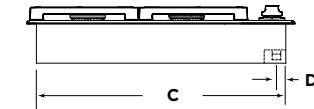


### CDU-304, CDV-304

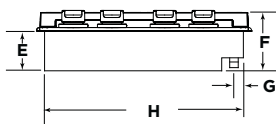
Top View



Front View



Right Side View



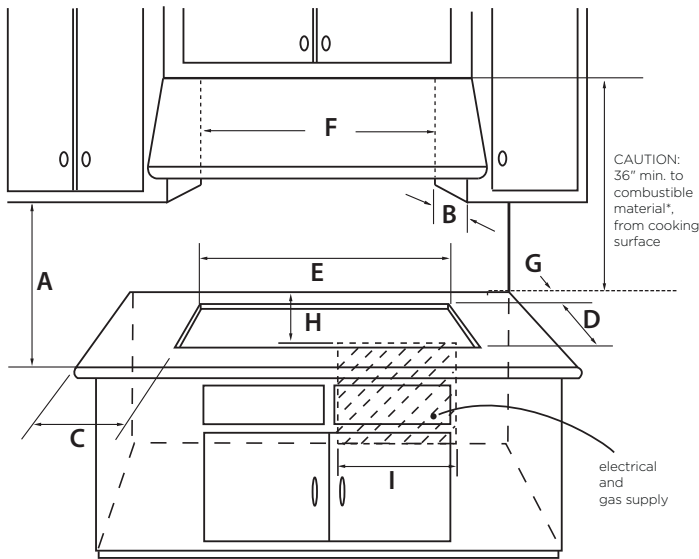
### Product Dimensions (inches)

	CDU-365 CDV-365	CDU-304 CDV-304
<b>A</b> Overall depth of product	21"	21"
<b>B</b> Overall width of product	36"	30"
<b>C</b> Width of product chassis	34 - 1/2"	28 - 5/16"
<b>D</b> Distance from right edge of chassis to center line of gas inlet	2 - 3/4"	2 - 1/16"
<b>E</b> Height of chassis	4"	4"
<b>F</b> Overall height of product (from bottom of chassis to top of grates)	5 - 1/2"	5 - 1/2"
<b>G</b> Distance from rear edge of chassis to center line of gas inlet	4 - 9/16"	1 - 1/2"
<b>H</b> Depth of product chassis	19 - 1/2"	19 - 1/2"



## Drop-in Cooktop Cutout and Cabinetry Dimensions

CDU-365, CDU-304, CDU-304 & DD-30, CDU-365 & DD36  
CDV-365, CDV-304, CDV-304 & DD304, CDV-365 & DD36



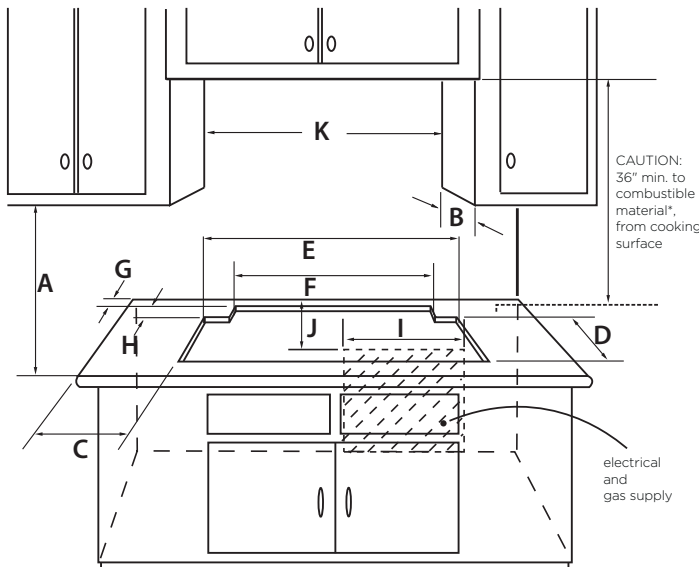
\*As defined in the "National Fuel Gas Code" (ANSI Z223.1, latest edition).  
NOTE: See manufacturer's recommendations for ducting specifications.

### When installing with a Rangehood

	CDU-365 CDV-365	CDU-304 CDV-304
<b>A</b> Vertical distance from counter-top to cabinet extending above counter	18" min	18" min
<b>B</b> Depth of overhead cabinetry	13" max	13" max
<b>C</b> Min. clearance from left edge of cutout to nearest vertical combustible surface	5 - $\frac{5}{8}$ "	5 - $\frac{1}{16}$ "
<b>D</b> Depth of cutout	19 - $\frac{3}{4}$ "	19 - $\frac{3}{4}$ "
<b>E</b> Width of cutout	34 - $\frac{3}{4}$ "	28 - $\frac{5}{8}$ "
<b>F</b> Minimum width of rangehood	36"	30"
<b>G</b> Minimum clearance from rear edge of cooktop cutout to back wall	2 - $\frac{1}{2}$ "	2 - $\frac{1}{2}$ "
<b>H</b> Minimum distance from countertop to top of electrical and gas supply area	5"	5"
<b>I</b> Width of electrical and gas supply area	18"	18"

### When installing with a DCS DD-30 or DD-36 Ventilation System

	CDU-365 CDV-365	CDU-304 CDV-304
<b>A</b> Vertical distance from counter-top to cabinet extending above counter	18" min	18" min
<b>B</b> Depth of overhead cabinetry	13" max	13" max
<b>C</b> Min. clearance from left edge of cutout to nearest vertical combustible surface	5 - $\frac{5}{8}$ "	5 - $\frac{11}{16}$ "
<b>D</b> Depth of cooktop cutout (excl downdraft recess)	19 - $\frac{3}{4}$ "	19 - $\frac{3}{4}$ "
<b>E</b> Width of cooktop cutout	34 - $\frac{3}{4}$ "	28 - $\frac{5}{8}$ "
<b>G</b> Minimum clearance from rear edge of vent cutout to back wall	$\frac{1}{2}$ " min	$\frac{1}{2}$ "
<b>I</b> Width of electrical and gas supply area	9"	9"
<b>J</b> Minimum distance from countertop to top of electrical and gas supply area	26 - $\frac{1}{2}$ "	26 - $\frac{1}{2}$ "
<b>K</b> Minimum distance between overhead cabinets installed to either side of product	36" min	30" min



\*As defined in the "National Fuel Gas Code" (ANSI Z223.1, latest edition).  
The horizontal surfaces of the range top (cooktop) trim must not be below countertop level.  
NOTE: See manufacturer's recommendations for ducting specifications.

	DD36	DD30
<b>F</b> Width of cutout recess for ventilation system	33 - $\frac{1}{2}$ "	27 - $\frac{1}{2}$ "
<b>H</b> Depth of cutout recess for ventilation system	2 - $\frac{5}{8}$ "	2 - $\frac{5}{8}$ "