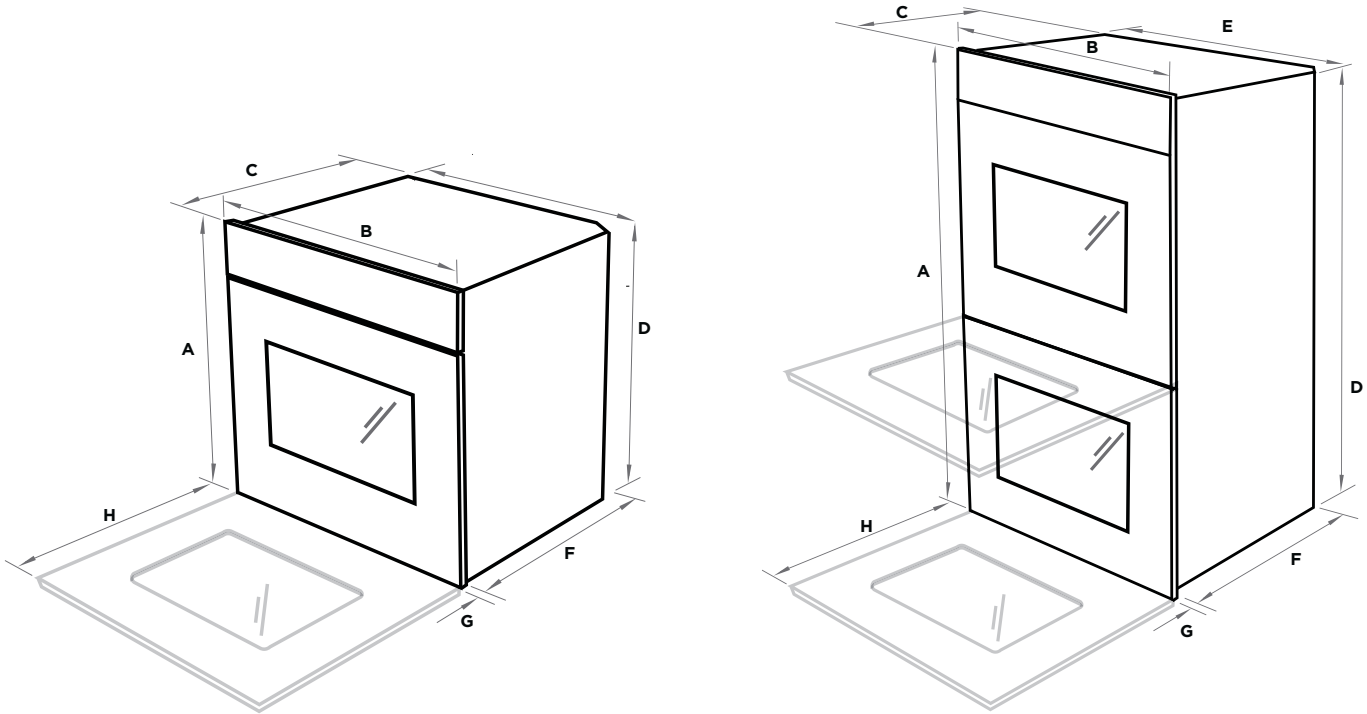




Single and Double Oven Product Dimensions

WOSU-30 & WODU-30

WOSV-30 & WODV-30



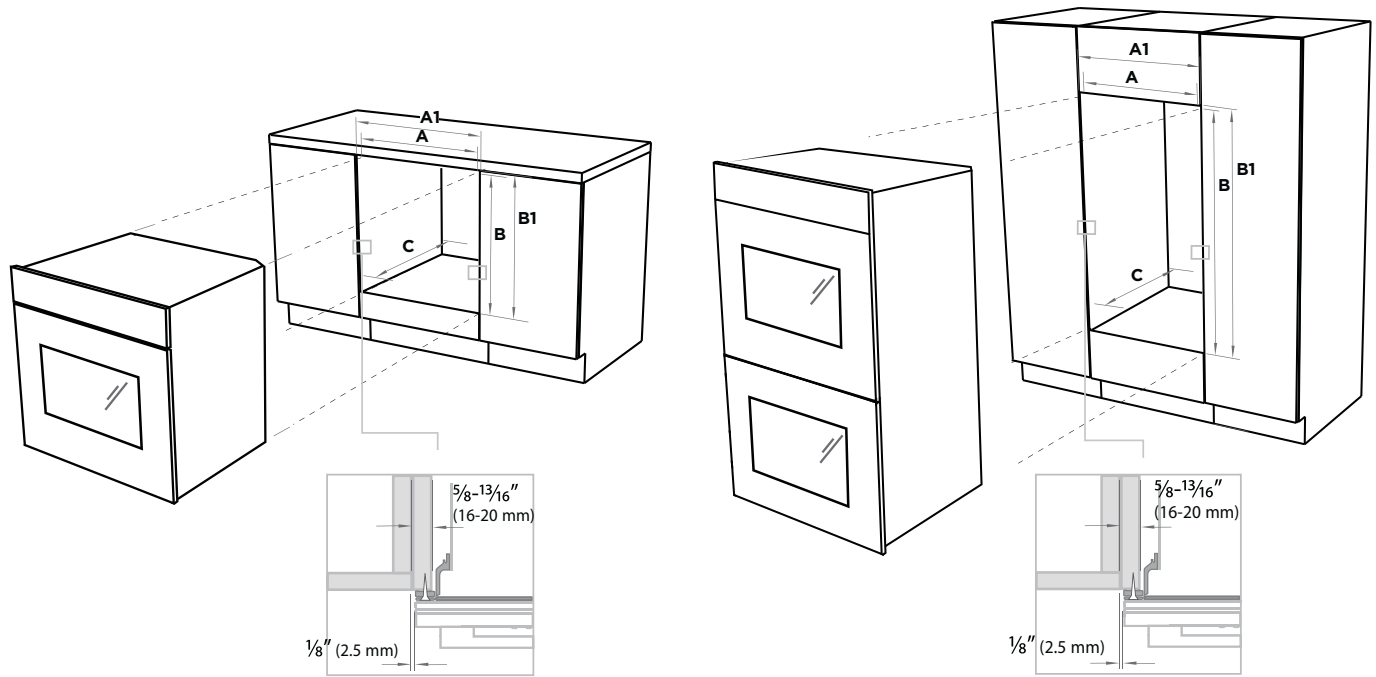
Product Dimensions (inches)

| | WOSU30 WOSV30 | WODU30 WODV30 |
|---|------------------|------------------|
| A Overall height of product | 28 1/8" | 48 1/2" |
| B Overall width of product | 29 15/16" | 29 15/16" |
| C Overall depth of product (without handle) | 23 15/16" | 23 15/16" |
| D Height of chassis | 26 9/16" | 47 15/16" |
| E Width of chassis | 28 5/16" | 28 5/16" |
| F Depth of chassis | 22 3/8" | 22 3/8" |
| G Depth of oven frame and control panel (excl. knobs) | 1 1/2" | 1 1/2" |
| H Depth of oven door (open) (measured from front of oven frame) | 20 7/8" | 20 7/8" |



Single and Double Oven Cabinet Dimensions

WOSU-30 & WODU-30
WOSV-30 & WODV-30



Ensure the cavity is completely sealed with no gaps

Cabinetry Dimensions (inches)

| | | WOSU30 WOSV30 | WODU30 WODV30 |
|----------------------|--------------------------------|------------------|------------------|
| A | Minimum inside width of cavity | 28 1/8" | 28 1/2" |
| A¹ | Overall width of cabinetry | 30 1/8" | 30 1/8" |
| B | Inside height of cavity | 26 13/16" | 48 3/16" |
| B¹ | Overall height of cabinetry | 27 3/8" | 48 1 1/16" |
| C | Minimum inside depth of cavity | 22 5/8" | 22 5/8" |

Note: If installing a cooktop above the oven, ensure adequate clearance is provided for the cooktop as per the cooktop manufacturer's instructions.