

INSTALLATION INSTRUCTIONS USER GUIDE

Box Wall Rangehood

HC60DCXB1, HC90DCXB1, HC120DCXB1,
HC60DCXB2, HC90DCXB2 and HC120DCXB2 models

NZ AU ROW

Fisher & Paykel

CONTENTS

Introduction	3
Safety and warnings	4
Installation instructions	7
Operating instructions	17
Cleaning and maintenance	18
Parts and accessories	20
Manufacturer's Warranty	21
Customer Care	23

IMPORTANT!

SAVE THESE INSTRUCTIONS

The models shown in this user guide may not be available in all markets and are subject to change at any time. For current details about model and specification availability in your country, please go to our website www.fisherpaykel.com or contact your local Fisher & Paykel dealer.

Registration

Register your product with us so we can provide you with the best service possible.

To register your product visit our website: www.fisherpaykel.com

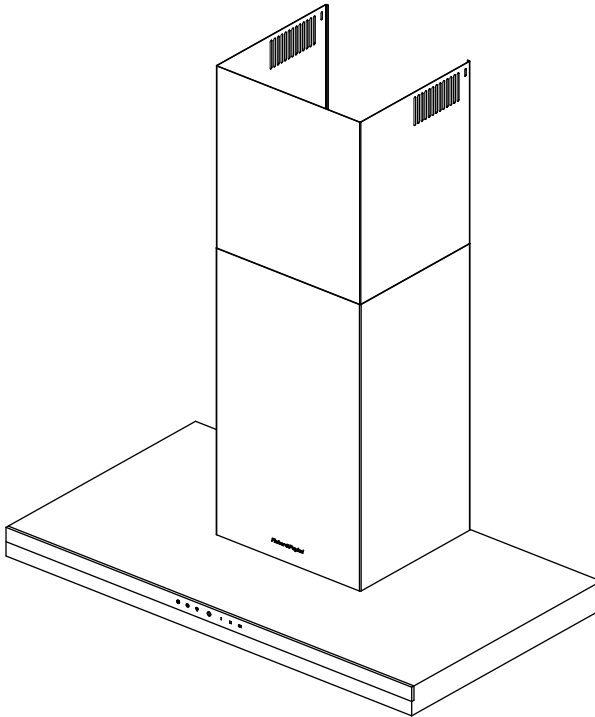
INTRODUCTION

Thank you for purchasing a Fisher & Paykel product.

Thousands of hours go into the design, engineering, testing and perfecting of each Fisher & Paykel appliance. The care and attention given to creating these beautiful products doesn't stop once it has found its home with you.

This use and care manual will answer most of your questions about the set-up, use and on-going maintenance of your Fisher & Paykel product; however if you require further information about your product and its use please consult our website for solutions and further contact information to discuss with a service representative.

To ensure you receive all relevant product updates and the best service possible, please register your Fisher & Paykel products through our website.



SAFETY AND WARNINGS



WARNING!



13.2 kg
(HC60)

17.6 kg
(HC90)

24 kg
(HC120)

Weight Hazard

The appliance is heavy. Please ensure adequate care is taken when installing the appliance to prevent personal injury. The appliance must be installed onto a solid wall, stud, beam or truss. Weight of the product is 13.2 kg (HC60) / 17.6 kg (HC90) / 24 kg (HC120).



WARNING!



Electric Shock Hazard

Always disconnect the appliance from the mains power supply before carrying out any maintenance or repairs. Alterations to the domestic wiring system must only be made by a qualified electrician.

Failure to follow this advice may result in electrical shock or death.

IMPORTANT SAFETY INSTRUCTIONS

WARNING!

When using this appliance always exercise basic safety precautions including the following:

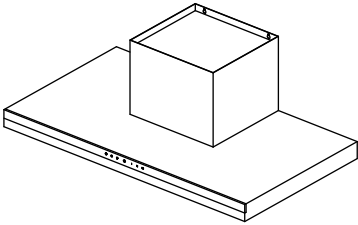
- Please read the entire set of instructions before installing or using this appliance.
- Please make this information available to the person installing the appliance - doing so could reduce your installation costs.
- Always switch the power off prior to installation, servicing or cleaning of the appliance.
- This appliance must be installed and connected to the mains power supply only by a suitably qualified person according to these installation instructions and in compliance with any applicable local building and electricity regulations. Failure to install the appliance correctly could invalidate any warranty or liability claims.
- To comply with electrical safety regulations, the appliance must be plugged into a socket near the appliance. The socket must be accessible, or have an accessible isolating switch, to enable the end user to isolate the appliance from the power for the purpose of internal cleaning or maintenance.
- A power outlet should be within 750 mm of the motor assembly and can either be on the wall, behind the chimney or in the ceiling.
- If the supply cord of this equipment is damaged, it must only be replaced by the manufacturer, its service agent or similarly qualified person in order to avoid a hazard.
- Ducting accessories are not supplied. All ducting must comply with local requirements and building codes.
- Attention should be given to ensure that any applicable regulations concerning the discharge of exhaust air are fulfilled.
- Before connecting any pipes, consult municipal ordinances to ensure that any applicable regulations concerning the discharge of exhaust air are adhered to and request permission from the person in charge of the building.
- Exhaust air must not be discharged into an existing flue that is used for exhausting fumes from appliances burning gas or other fuels.
- There shall be adequate ventilation of the room when the rangehood is used at the same time as appliances burning gas or other fuels.
- The minimum distance between the supporting surface for cooking vessels on the cooktop and the lowest part of the rangehood shall be 600 mm or 650 mm if installed over a gas cooktop.
- Stainless steel is very easily damaged during installation if abraded or knocked by tools. It is recommended to protect the top of the rangehood with cardboard or polystyrene during the installation to minimise the risk of damage occurring.
- To reduce the risk of damage occurring to the cooktop, it is recommended that the surface of the cooktop is protected with cardboard or a similar object during installation of the rangehood.
- This appliance is not intended for use by persons (including children) with reduced physical, sensory or mental capabilities, or lack of experience and knowledge, unless they have been given supervision or instruction concerning the use of the appliance by a person responsible for their safety.
- Children should be supervised to ensure they do not play with the appliance. Cleaning and user maintenance shall not be made by children without supervision.

SAFETY AND WARNINGS

- You must read the details concerning the method and frequency of cleaning.
- There is a fire risk if cleaning is not carried out in accordance with the instructions.
- Never leave frying food unattended since grease can overheat and catch fire. The risk of fire is even greater in the case of used oil.
- Do not flambé under the rangehood.
- Never use the rangehood without the filters in place.
- During an electrostatic discharge (ESD) it is possible that the device will stop working. By switching the device off and on the device will again work as intended.
- CAUTION: accessible parts may become hot when used with cooking appliances.
- Remove all packaging, including protective wrappings, before use.

INSTALLATION INSTRUCTIONS

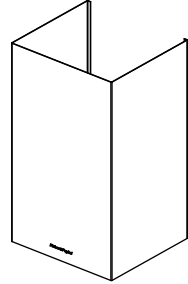
Contents of packaging



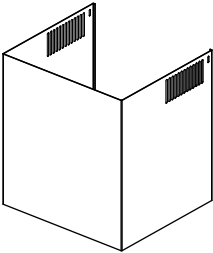
Rangehood
(1)



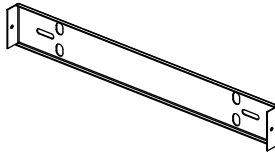
Installation instructions
User guide manual
(1)



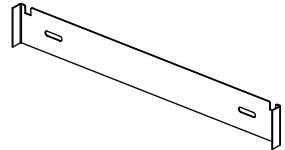
Chimney
(1)



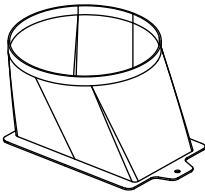
Upper chimney
(1)



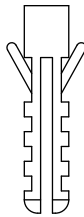
Upper chimney bracket
(1)



Chimney bracket
(1)



Ducting adapter
(150 mm Ø)
(1)



Expansion plug
(8)



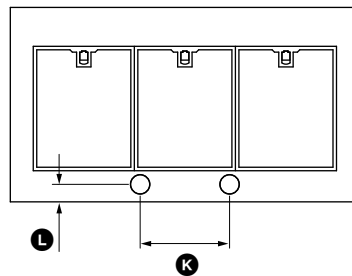
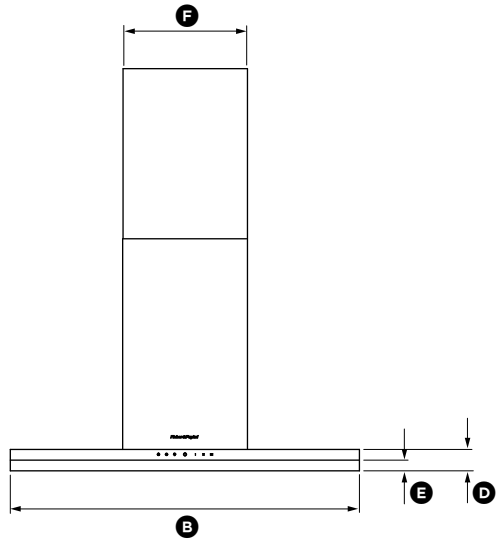
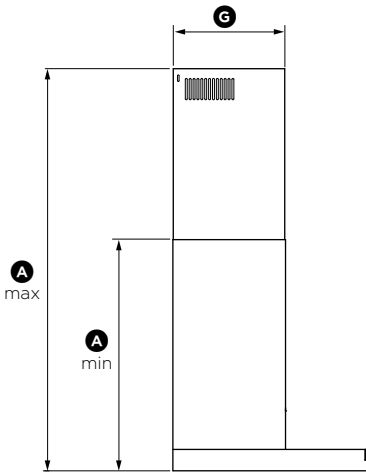
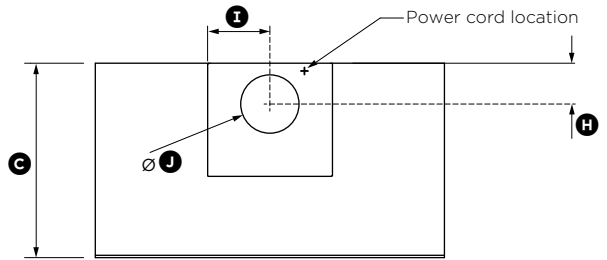
30 mm self
tapping screw
(8)



10 mm self
tapping screw
(4)

INSTALLATION INSTRUCTIONS

Product dimensions



INSTALLATION INSTRUCTIONS

		HC60	HC90	HC120
PRODUCT DIMENSIONS				mm
Ⓐ	Overall height of product	595 - 1035	595 - 1035	595 - 1035
Ⓑ	Overall width of product	598	898	1198
Ⓒ	Overall depth of product	500	500	500
Ⓓ	Height of hood	55	55	55
Ⓔ	Height of stainless strip	27	27	27
Ⓕ	Width of chimney	320	320	320
Ⓖ	Depth of chimney	290	290	290
Ⓗ	Distance from centre of ducting outlet to back of product	105	105	105
Ⓘ	Distance from centre of ducting outlet to side of chimney	160	160	160
Ⓙ	Diameter of ducting outlet	150	150	150
Ⓚ	Distance between centre of lights	230	230	230
Ⓛ	Distance from centre of lights to back of product	45	45	45
	Length of power cord	1500	1500	1500

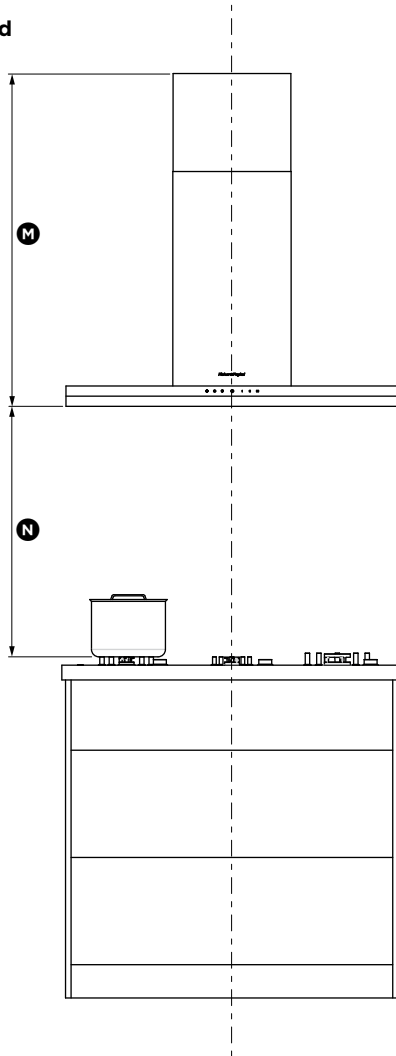
IMPORTANT!

Actual product dimensions may vary by ± 2 mm.

Please read the entire instructions before installing the rangehood.

INSTALLATION INSTRUCTIONS

Height of rangehood



INSTALLATION DIMENSIONS

mm

Ⓜ	Installation height	
	Ducted	min. 635 - max. 1035
	Recirculation	min. 675 - max. 1035
Ⓝ	Height top of cooktop to base of product	
	Electric cooktop	min. 600 - max. 750
	Gas cooktop	min. 650 - max. 750

Rangehood installation height above the cooktop is the user's preference. Lower installation heights will improve the efficiency of capturing cooking odours, grease, and smoke. This rangehood must be installed between the minimum and maximum dimensions indicated in the table above.

INSTALLATION INSTRUCTIONS

Venting options

Attention should be given to ensure that any applicable regulations concerning the discharge of exhaust air are fulfilled.

The rangehood can be installed to operate with the exhaust air ducted externally from the kitchen, or installed to operate with the exhaust air recirculating within the kitchen.

Ducted

For ducted installation it is recommended that 150 mm diameter, rigid or semi-rigid ducting is used. This will require a 160 mm (min) round hole in the ceiling or wall. Care should be taken to position the hole correctly.

For optimal efficiency use the shortest and straightest duct route possible and use rigid or semi-rigid ducting for reduced noise and increased airflow. Flexible metal ducting should only be used as a last resort (ie in difficult installations) and if used ensure that it is straight and smooth and extended as much as possible.

Recirculating

To enable the product to operate with the air recirculating, please purchase a recirculation diverter and carbon filters (refer to the 'Parts and accessories' section). The recirculation diverter is installed after a short length of ducting and is required to channel the air out the side vents at the top of the chimney and the carbon filters are required to remove odours.

Note: a ducting hole is not required in the wall or ceiling if the rangehood is installed to operate with exhaust air recirculating.

INSTALLATION INSTRUCTIONS

WARNING!

- This appliance is heavy and requires two persons for unpacking and installation
- Installation work and electrical wiring must be done by qualified person(s) in accordance with all applicable codes and standards.
- Failure to install the screws or fixing device in accordance with these instructions may result in electrical hazards

IMPORTANT!

Wear gloves to protect against sharp edges.

The manufacturer is not liable for any damage caused by not following these instructions.

Installation

① Preparing for installation:

Before installing your rangehood:

- Please read the instructions carefully.
- Unpack the rangehood and check that all functions are working.
- Ensure that the voltage (V) and the frequency (Hz) indicated on the serial plate match the voltage and frequency at the installation site.
- Check that the area behind the installation surface to be drilled is clear of any electrical cables or pipes, etc.
- The stainless steel and glass surfaces of the rangehood are very easily damaged during installation if grazed or knocked by tools. Please take care to protect the surfaces during installation.
- Protect the cooktop surface below with cardboard, or the like, to prevent damage occurring whilst the rangehood is being installed above.
- Temporarily mark the height of the bottom of the rangehood and the centre of the cooktop on the wall according to the information given in the 'Installation instructions - Height of rangehood' section.
- The wall used for mounting the rangehood should have sufficient strength and a flat surface.

② Attach chimney brackets and hood mounting screws

- Attach the chimney bracket and upper chimney bracket (if using the upper chimney) in the locations shown in Fig.2 and 3. Use the 30 mm screws and expansion plugs if attaching to masonry.
- Attach the upper hood mounting screws in the locations shown in Fig.2 and 3. Use the 30 mm screws and expansion plugs if attaching to masonry. Ensure that there is a 2 mm gap between the screw head and the wall - see Fig.1.

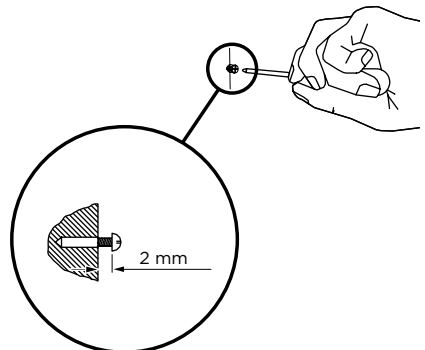


Fig.1

INSTALLATION INSTRUCTIONS

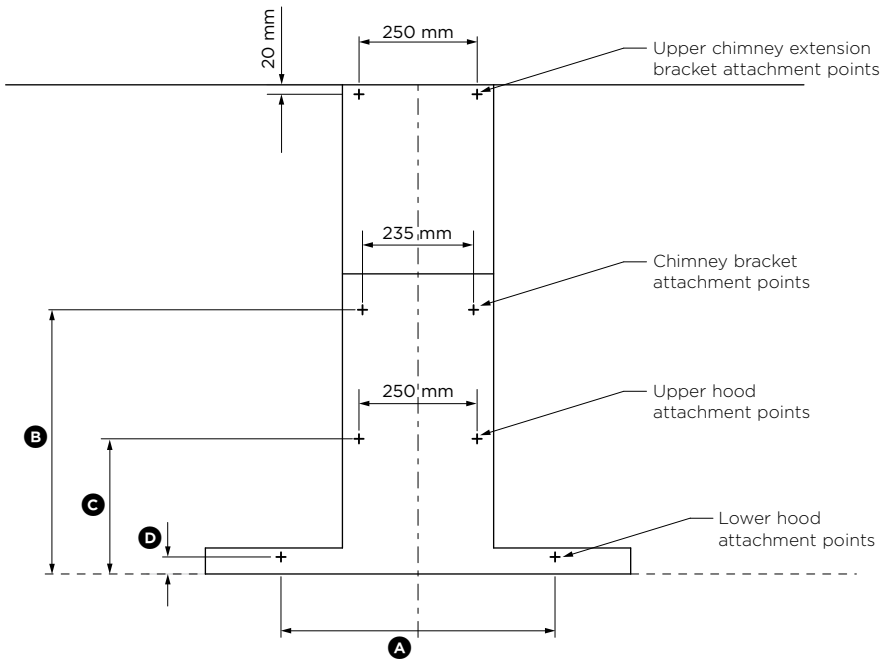


Fig.2

	HC60	HC90	HC120
PRODUCT DIMENSIONS			mm
Ⓐ Lower rangehood attachment point width	420	580	900
Ⓑ Chimney bracket attachment point height	559	559	556
Ⓒ Upper rangehood attachment point height	286	286	288
Ⓓ Lower rangehood attachment point height	36	36	42.5

INSTALLATION INSTRUCTIONS

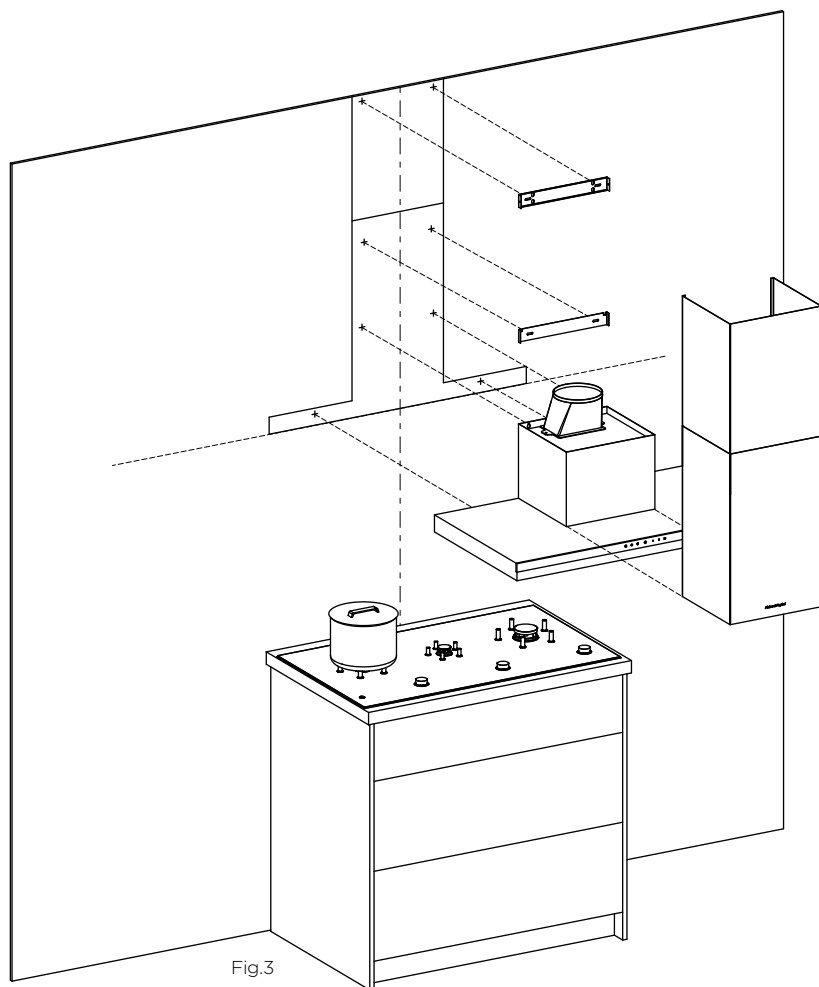
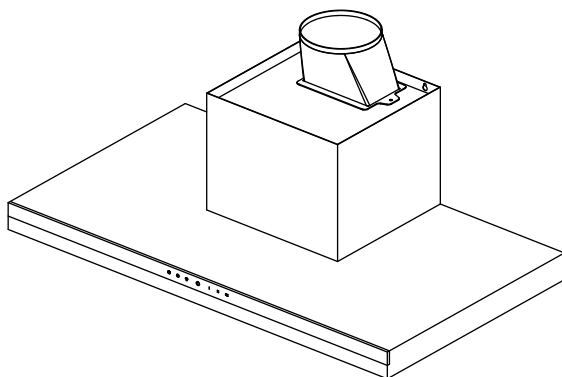


Fig.3

③ Attach ducting adapter

- Place the ducting adapter onto the hood and screw it in place using the 10 mm screws.



INSTALLATION INSTRUCTIONS

④ Attach hood to wall

- Remove filters and easy clean plate from hood as shown in Fig.4.

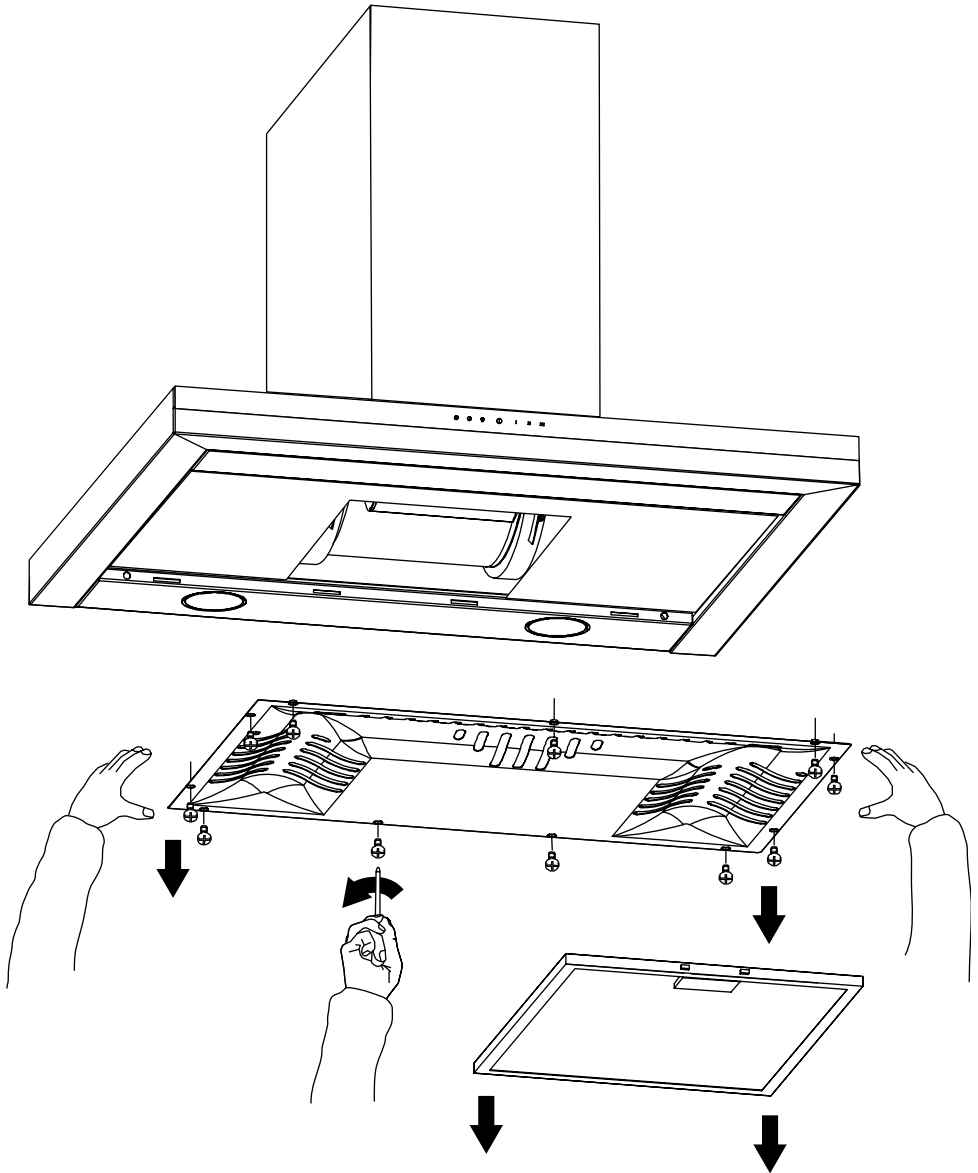
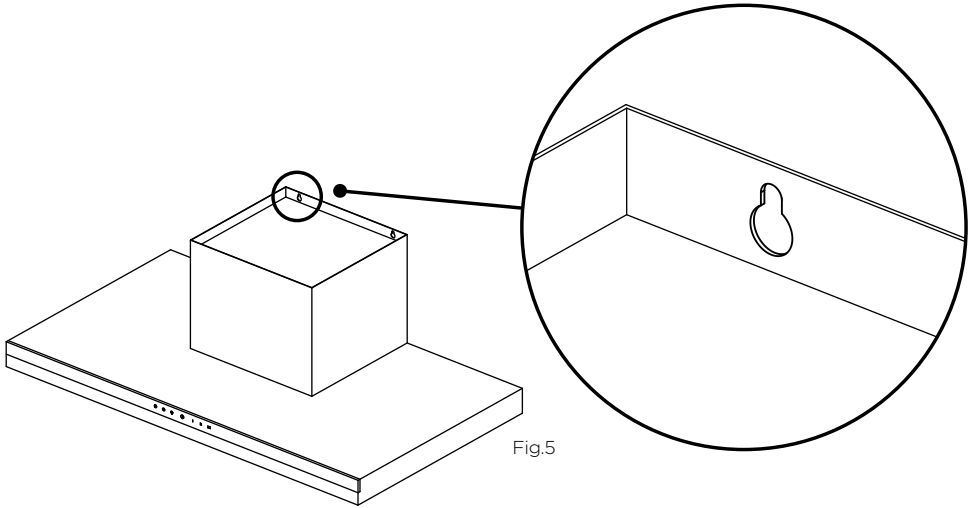


Fig.4

INSTALLATION INSTRUCTIONS



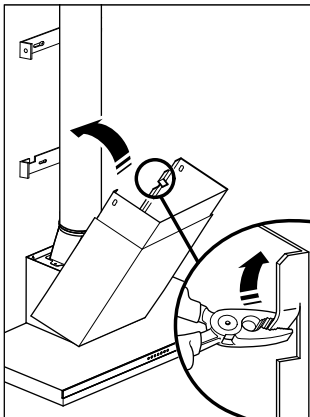
- Hang hood off upper hood mounting screws with 2 mm gap. Hang off the keyhole attachment points on the back of the hood (see Fig.5). Tighten screws.
- Attach lower hood mounting screws to fix hood to wall.
- Reattach easy clean plate and filters.

⑤ Attach ducting

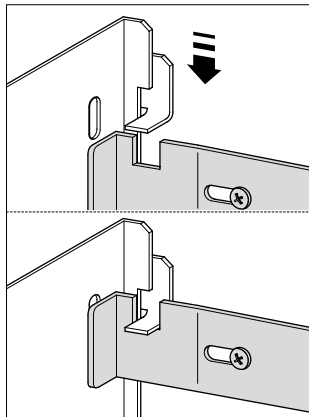
- Attach ducting to ducting adapter using aluminium duct tape and vent outside.

⑥ Attach chimney

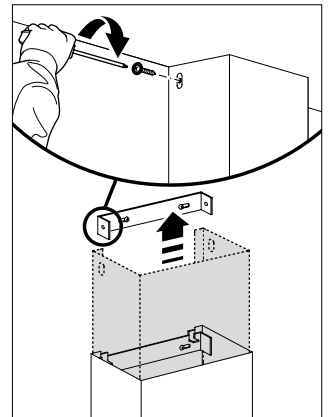
- Bend the tabs on the chimney (A).
- Place chimney around the hood chassis and hang off the bracket (B).
- Extend the upper chimney and attach to the chimney bracket with 10 mm screws (C).



A



B








C

OPERATING INSTRUCTIONS

Touch control panel



CONTROL PANEL FEATURES

	Filter cleaning alert	Activated regularly to alert of the need to clean filters. It can be deactivated with a single press.
	Timer	Turn the timer on. The fan operates for 5 minutes at the current speed and each descending speed before turning off.
	Lights	Turn the lights on or off. The lights turn on to the last level selected. Press and hold to adjust the level of light.
	Power on/off	Turn the rangehood on or off. The fan automatically turns on to operate at level 1.
	Fan speed 1 - 3	Adjust the fan speed levels from 1 - 3 with 1 being the lowest level and 3 being the highest. The fan speed level icon illuminates red when selected.

CLEANING AND MAINTENANCE

WARNING!

Unplug or disconnect the appliance from the power supply before servicing or cleaning.

IMPORTANT!

- Never use abrasive or oil based cleaners
- Wear gloves to protect against sharp edges

Maintenance

The rangehood should be cleaned regularly using a mild, liquid detergent and a clean soft cloth to avoid a build-up of grease occurring. Avoid the use of corrosive chemicals, abrasive cleaning products, hard brushes and steel wool pads. Grease deposits are corrosive which can cause damage to your rangehood.

Note: in areas of high humidity or coastal environments, cleaning should be carried out more frequently.

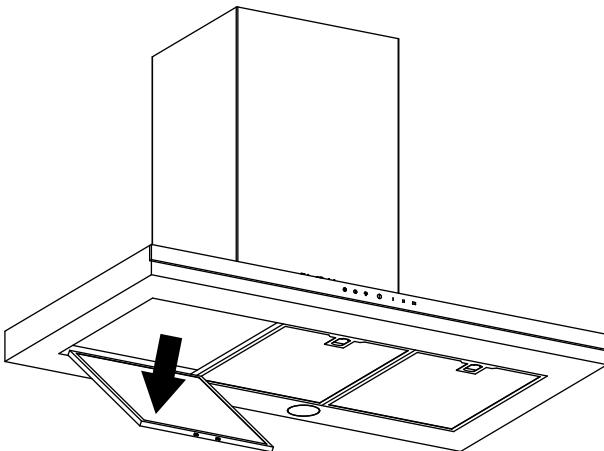
Aluminium filters

- Depending on use, and at least once a month, the aluminium grease filters should be removed and cleaned with hot soapy water or in a dishwasher.
- If washed in a dishwasher, the filters should be placed in an upright position to prevent food from falling on them.
- After rinsing and drying, replace the filters.

Note: some discolouration of the frames may occur.

Removing the aluminium filters:

- ① Pull the relative catch, tilting it downwards until it disengages from the supports.
- ② Reverse these instructions when refitting the filters.



CLEANING AND MAINTENANCE

WARNING!

- **When replacing the bulb, let the bulb cool, and assure that power to the rangehood has been turned off.**
- **Use new bulbs according to that indicated on the rangehood nameplate.**

Carbon filters – for use in recirculation mode

Active carbon filters are disposable items designed to remove grease and odours from cooking vapours before the air is channelled back into the kitchen. The active carbon filters must be replaced periodically to work properly, at least once every three months, depending on the frequency with which the rangehood is used.

Note: fully saturated carbon filters can become a barrier to air movement therefore limiting rangehood performance. In the event of fire, grease laden filters could be flammable and therefore regular replacement is recommended.

Replacing the light bulb

Please note replacement bulbs are not covered by warranty.

- ① Before changing the light bulb, ensure the rangehood is disconnected from the power supply.
- ② Remove the aluminium grease filters.
- ③ Replace light bulbs.
- ④ Refit the aluminium filters.

PARTS AND ACCESSORIES

ITEM	REFERENCE NUMBER
Halogen bulb	791822
Aluminium filter pattern	791938
Recirculation carbon filter	791772
Recirculation diverter	791820
Ducting kit 150 mm (eaves)	PD-RHK150E
Ducting kit 150 mm (wall)	PD-RHK150W

MANUFACTURER'S WARRANTY

You automatically receive a 2 year Manufacturer's Warranty with the purchase of this rangehood covering parts and labour for servicing within the country of purchase.

Fisher & Paykel undertakes to:

Repair or, at its option, replace without cost to the owner either for material or labour any part of the product, the serial number of which appears on the product, which is found to be defective within TWO YEARS of the date of purchase.

Note: this Manufacturer's Warranty is an extra benefit and does not affect your legal rights.

This Manufacturer's Warranty DOES NOT cover

- Ⓐ Service calls which are not related to any defect in the product. The cost of a service call will be charged if the problem is not found to be a product fault. For example:
 - ① Correcting the installation of the product.
 - ② Instructing you how to use the product.
 - ③ Replacing house fuses or correcting house wiring or plumbing.
 - ④ Correcting fault(s) caused by the user.
 - ⑤ Noise or vibration that is considered normal, eg drain/fan sounds, refrigeration noises or user warning beeps.
 - ⑥ Correcting damage caused by pests, eg rats, cockroaches, etc.
 - ⑦ Replacement light bulbs.
- Ⓑ Defects caused by factors other than:
 - ① Normal domestic use; or
 - ② Use in accordance with the product's user guide.
- Ⓒ Defects to the product caused by accident, neglect, misuse or 'act of God'.
- Ⓓ The cost of repairs carried out by non-trained and supported service technicians or the cost of correcting such repairs.
- Ⓔ Normal recommended maintenance as set out in the product's user guide.
- Ⓕ Repairs when the appliance has been dismantled, repaired or serviced by other than a Fisher & Paykel trained and supported service technician or the selling dealer.
- Ⓖ Pick-up and delivery.
- Ⓗ Transportation or travelling costs involved in the repair when the product is installed outside the Fisher & Paykel trained and supported service technician's normal service area.

Nothing in this Manufacturer's Warranty is intended to, or does, limit any rights you may have under law to recover the costs of inspecting or returning the goods to us.

This product has been designed for use in a normal domestic (residential) environment. This product is not designed for any commercial use (whatsoever). Any commercial use by a customer will affect this product's Manufacturer's Warranty.

Service under this Manufacturer's Warranty must be provided by a Fisher & Paykel trained and supported service technician (refer to the 'Customer Care' section at the back of this book). Such service shall be provided during normal business hours. This Manufacturer's Warranty certificate should be shown when making any claim.

MANUFACTURER'S WARRANTY

For Australian Customers

This Manufacturer's Warranty is an extra benefit and does not affect your legal rights. Our goods come with guarantees that cannot be excluded under the Australian Consumer Law. You are entitled to a replacement or refund for a major failure and compensation for any other reasonably foreseeable loss or damage. You are also entitled to have the goods repaired or replaced if the goods fail to be of acceptable quality and the failure does not amount to a major failure.

Please keep this user guide in a safe place.

CUSTOMER CARE

Before you call for service or assistance...

Check the things you can do yourself. Refer to your user guide and check that:

- ① Your product is correctly installed.
- ② You are familiar with its normal operation.

If after checking these points you still need assistance or parts, please refer to your nearest Fisher & Paykel trained and supported service technician, Customer Care, or contact us through our local website listed on the back cover.

In New Zealand if you need assistance...*

Call your Fisher & Paykel retailer who is trained to provide information on your appliance, or if we can be of any further help, please contact our Customer Care Centre.

Toll free: 0800 FP CARE or 0800 372 273

Fax: (09) 273 0656

Website: www.fisherpaykel.com

Postal address: Fisher & Paykel Appliances Ltd, PO Box 58550, Botany, Auckland 2163

If you need service...*

Fisher & Paykel has a network of Fisher & Paykel trained and supported service technicians that can carry out any service necessary on your appliance. Our Customer Care Centre can recommend a Fisher & Paykel trained and supported service technician in your area.

In Australia if you need assistance...*

Call the Fisher & Paykel Customer Care Centre and talk to one of our Customer Care Consultants.

Toll free: 1300 650 590

Fax: (07) 3826 9298

Website: www.fisherpaykel.com

Postal address: Fisher & Paykel Appliances Australia Pty Ltd, PO Box 798, Cleveland QLD 4163

If you need service...*

Fisher & Paykel has a network of Fisher & Paykel trained and supported service technicians that can carry out any service necessary on your appliance. Our Customer Care Centre can recommend a Fisher & Paykel trained and supported service technician in your area.

For rest of the world...*

Call your Fisher & Paykel retailer/dealer from whom you purchased the product. They are trained to provide information on your appliance. If we can be of any further help, please contact use on:

Phone: +64 9 273 0660

Fax: +64 9 273 0580

Website: www.fisherpaykel.com

Postal address: Fisher & Paykel Appliances Ltd, PO Box 58550, Botany, Auckland 2163, New Zealand.

CUSTOMER CARE

*If you call, write or contact our website please provide: your name and address, model number, serial number, date of purchase and a complete description of the problem. This information is needed in order to better respond to your request for assistance.

Product details can be found on the easy clean plate underneath the filters.

Registration

Register your product with us so we can provide you with the best service possible. To register your product visit our website: **www.fisherpaykel.com**

Complete and keep for safe reference:

Model _____

Serial No. _____

Purchase Date _____

Purchaser _____

Dealer _____

Suburb _____

Town _____

Country _____

www.fisherpaykel.com

© Fisher & Paykel Appliances 2015. All rights reserved.

The product specifications in this booklet apply to the specific products and models described at the date of issue. Under our policy of continuous product improvement, these specifications may change at any time. You should therefore check with your dealer to ensure this booklet correctly describes the product currently available.

NZ AU ROW

104079 B 11.15