

Fisher & Paykel

Powerpack rangehood
HP60IDCHX2, HP90IDCHX2,
HP60ICSX2 & HP90ICSX2 models

**Installation instructions
and User guide**

NZ AU GB



Contents

Safety and warnings	2
Installation instructions	5
Using your rangehood	10
Accessories	12
Manufacturer's Warranty	13
Customer Care	14

Important!

SAVE THESE INSTRUCTIONS

The models shown in this User Guide may not be available in all markets and are subject to change at any time. For current details about model and specification availability in your country, please visit our website listed on the back cover or contact your local Fisher & Paykel dealer.

2 Safety and warnings

⚠ WARNING!



Electrical Shock Hazard

All electrical work must be done in accordance with local and/or national electrical codes as applicable. For safety, this product must be earthed. If you are unfamiliar with methods of installing electrical wiring, employ the services of a qualified electrician. Turn off power at service entrance before installing wiring or servicing this product.

⚠ WARNING!



8.2 kg
(HP60)
11.5 kg
(HP90)

Weight Hazard

The rangehood is heavy. Please ensure adequate care is taken when installing the rangehood to prevent personal injury. The rangehood must be installed onto a solid wall, stud, beam or truss. Weight of the product is 8.2 kg (HP60) / 11.5 kg (HP90).

Important safety instructions

- *Please read the entire set of instructions before installing the rangehood.*
- *This appliance can be used by children aged from 8 years and above and persons with reduced physical, sensory or mental capabilities or lack of experience and knowledge if they have been given supervision or instruction concerning use of the appliance in a safe way and understand the hazards involved.*
- *Children shall not play with the appliance. Cleaning and user maintenance shall not be made by children without supervision.*
- *The installation of Fisher & Paykel rangehoods must comply with the information in this guide. Failure to install the rangehood in accordance with these installation instructions may result in*

electrical hazards, injury, and damage to your appliance and loss of warranty. Failure by the installer to install the screws or fixing devices in accordance with these installation instructions may result in electrical hazards. Please install the appliance as detailed in these instructions.

- *There must be adequate ventilation of the room when the rangehood is used at the same time as appliances burning gas or other fuels. (A partial vacuum in the room could result in too high a concentration of gas in the air).*
- *You must read the details concerning the method and frequency of cleaning.*
- *There is a fire risk if cleaning is not carried out in accordance with the instructions.*
- *Do not flambé under the rangehood.*
- *Exhaust air must not be discharged into an existing flue that is used for exhausting fumes from appliances burning gas or other fuels.*
- *The minimum distance between the cooktop surface and the filters of the rangehood shall be 600 mm, or 650 mm if installed over a gas cooktop.*
- *Attention should be given to ensure that any applicable regulations concerning the discharge of exhaust air is fulfilled.*
- *If the supply cord of this equipment is damaged it must only be replaced by the manufacturer, its service agent or similarly qualified person in order to avoid a hazard.*
- *Always switch the power off prior to installation, servicing or cleaning the rangehood.*
- *Never use the rangehood without the filters in place.*
- *Stainless steel or powdercoat is very easily damaged during installation if abraded or knocked by tools. It is recommended to protect the top of the rangehood with cardboard or plastic bag during the installation to minimise the risk of damage occurring.*
- *A power outlet should be within 750 mm of the motor assembly and can be either on the wall, behind the chimney or in the ceiling.*

4 Safety and warnings

- *To comply with electrical safety regulations, this rangehood must be plugged into a socket near the appliance. The socket must be accessible, or have an accessible isolating switch, to enable the end user to isolate the rangehood from the power for the purpose of internal cleaning or maintenance.*
- *Ducting accessories are not supplied. All ducting must comply with local requirements and building codes.*

Contents of packaging

- 1 × Rangehood body
- 1 × 150 mm ducting adaptor
- 1 × 120 mm ducting adaptor
- 1 × Packet of fasteners and wall plugs

Typical equipment required

- Screwdriver
- Tape measure
- Spirit level
- Duct tape (if ducting)
- Jig saw (if ducting)
- Ladder (if ducting)

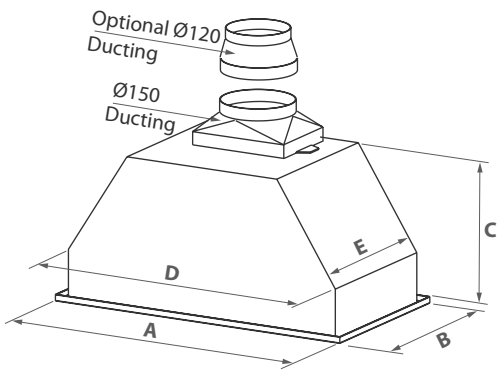


Fig.1 Powerpack dimensions

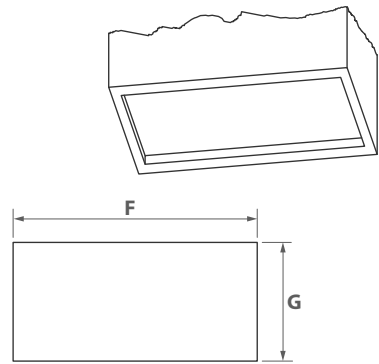


Fig.2 Cutout dimensions

	HP60IDCHX2	HP90IDCHX2	HP60IC SX2	HP90IC SX2	
Rangehood and cutout dimensions (mm)					
A	overall width of rangehood	530	830	492	792
B	overall depth of rangehood	280	280	277	277
C	height of chassis above cabinet	352	352	281	281
D	width of chassis	498	798	454	754
E	depth of chassis	256	256	253	253
F	overall width of cutout	500	800	455	755
G	overall depth of cutout	265	265	255	255

*Note: All dimensions are in millimetres.
HP60 is a 600 mm unit, and HP90 is a 900 mm unit.*

6 Installation instructions

Warning!

Failure to install the screws or fixing device in accordance with these instructions may result in electrical hazards.

Height of rangehood

Please read the entire instructions BEFORE installing the rangehood.

- Ascertain the desired installation height of the rangehood.
- When installing the rangehood, the lower edge of the unit must be a minimum of 600 mm (650 mm for gas cooker) above the cooking surface.
- The recommended position for the hood is 650 mm above the cooktop.
- Any installation above 750 mm will compromise the extraction performance.

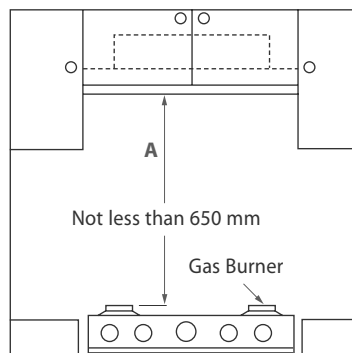


Fig.3 Positioning

Ducting options

The method of ducting should be carefully considered before installing the rangehood. The guide below recommends the ducting components to use for all common ducting configurations – through the top of the home (for the roof and soffit) and through the rear of the home. 150 mm round ducting should be used in conjunction with this model rangehood. Alternatively this rangehood can be operated in recirculation mode (see Recirculation mode page 9).

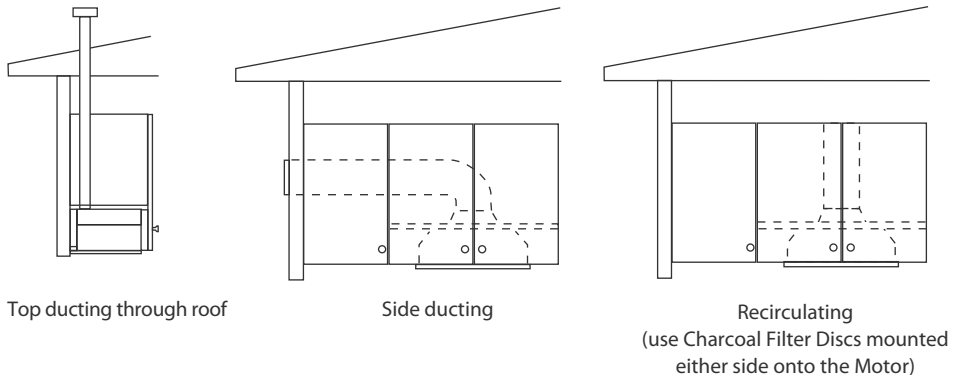


Fig.4 Ducting options

Some authorities require rangehoods to be vented outside. Attention should be given to ensure that any applicable regulations concerning the discharge of exhaust air is fulfilled.

It is recommended that $\varnothing 150$ mm ducting is to be used, however a reducer from $\varnothing 150$ mm to $\varnothing 120$ mm is included with the rangehood should the $\varnothing 120$ mm ducting be required.

For optimal efficiency, use smooth-walled ducting for reduced noise and increased airflow. Flexible ducting should only be used as a last resort.

Note: we recommend an Easy Fit by Fisher & Paykel or a UNIDUCT ducting system, products that have been designed to expel air efficiently

Extra lengths and/or bends may be required, depending on the length required and whether there is any structural material in the run, eg rafters.

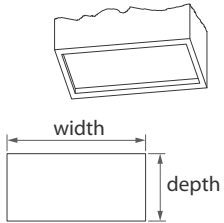
Some authorities require rangehoods to be vented outside. Ducted models should comply with this requirement in every respect.

Please note that this chart is designed as a guide. Please consult Fisher & Paykel Customer Care if unsure. For New Zealand please phone 0800 FP CARE or 0800 372 273. And in Australia please phone 1300 650 590.

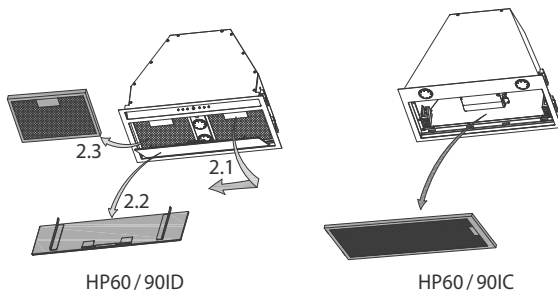
8 Installation instructions

Fit the ducting adaptor to the rangehood using the short screws supplied.

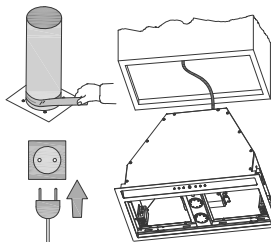
- 1 Provide an opening on the underside of the cupboard to suit models:
 - 500 mm × 265 mm (HP60ID) and 800 mm × 265 mm (HP90ID)
 - 455 mm × 265 mm (HP60IC) and 755 mm × 265 mm (HP90IC)



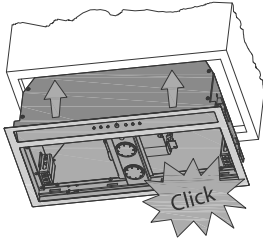
- 2 Remove the face plate and filter of the rangehood.



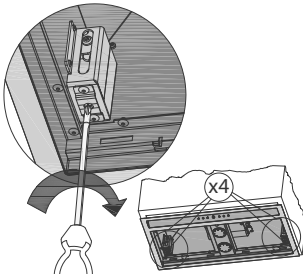
- 3 Connect duct and plug rangehood in.



- 4 Lift the rangehood and fit through the opening of the cupboard till the spring loaded brackets / clips hold the product in place.



- 5 Secure rangehood while tightening the brackets / clips.
4 x on HP60 / 90ID models or 2 x on HP60 / 90IC models. Refit the filter and peripheral glass panel.



Warning!

Failure to install the screws or fixing device in accordance with these instructions may result in electrical hazards.

Recirculation mode

- 1 This unit can be installed to operate in recirculation mode where ducting is not a chosen / desired or practical option. Ensure that the top ducting outlet are not obstructed. Even a partial obstruction will restrict the efficiency of the rangehood.
- 2 Replace aluminium filters with charcoal filters (refer to 'Parts and accessories list' on page 12).

10 Using your rangehood

Controls

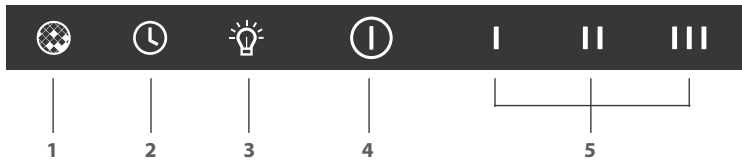


Fig.5 Touch Control

HP60 / 90ID models with Touch Panel

- 1 Filter clean warning display / button. Activated regularly to alert of the need to clean filters. It can be deactivated with a single press
- 2 Enable and disable extractor fan timer.
- 3 Lighting on and off. Keep pressed down to adjust the lighting intensity.
- 4 Extractor fan on and off.
- 5 Extractor fan speed.

Timer: the extractor fan works for 5 min. at the current speed and another 5 min. at each of the lower speeds until it stops.

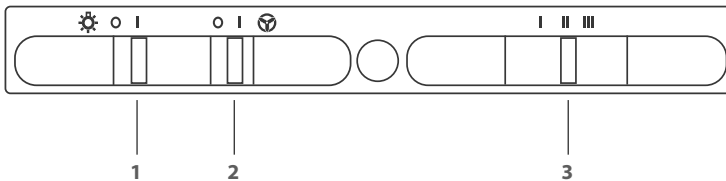


Fig.6 Slider Control

HP60 / 90IC models with Slider Switch

- 1 Lighting on and off. Can be operated independently by sliding the light switch on / off despite the working status of the fan.
- 2 Extractor fan on and off.
- 3 Extractor fan speed.

General maintenance

Switch off the rangehood before cleaning or maintenance. To prevent surface damage never use abrasive or oil based liquid cleaners. To clean the surfaces of the appliance, use mild detergent and warm water. In areas of high humidity and coastal environments cleaning should be carried out frequently.

Important!

A build up of oil may occur if the rangehood is not cleaned regularly.

Filter maintenance

To maintain efficiency, the filters should be removed regularly (approximately monthly), and washed using hot soapy water or the dishwasher.

Note: some discolouration of the frame may occur if washed in the dishwasher.

Rangehoods fitted with charcoal filters are designed to remove grease and odours from cooking vapours prior to the cleansed air re-entering the kitchen (when the rangehood is in recirculation mode). Charcoal filters should be replaced every two to four months depending on use.

Note: fully saturated charcoal filters can become a barrier to air movement therefore limiting rangehood performance. In the event of fire, grease laden filters could be flammable and therefore regular replacement is recommended. In ducted installations, conventional aluminium filters are recommended.

Light bulb replacement

To replace a bulb, first disconnect the rangehood from the power supply. Remove the lamp cover HPxxID models only. Care must be taken to avoid the lamp lens falling on to the hob top. The bulb, max 50W, is a screw fit into the lamp socket. Insert the replacement bulb into the lamp socket and replace the lamp cover.

Note: replacement bulbs are not covered by warranty.

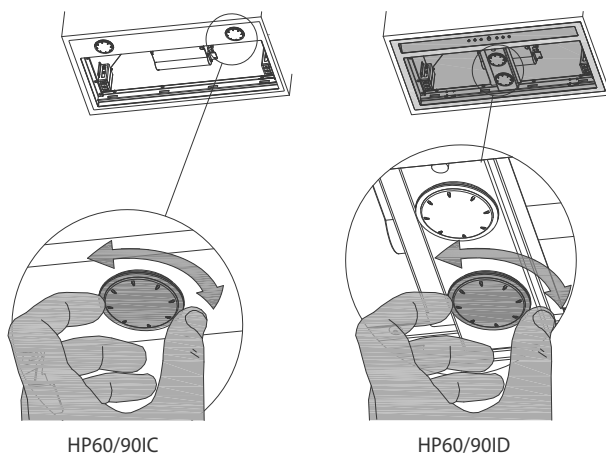


Fig.7 Bulb replacement

12 Accessories

Parts and accessories list

Filter Charcoal HP60/90	792458
LED Bulb HP60/90IDCHX2	792393
Halogen Bulb HP60/90ICSX2	792461

You automatically receive a 2 year Manufacturer's Warranty with the purchase of this Product covering parts and labour for servicing within the country of purchase.

Fisher & Paykel undertakes to:

Repair or, at its option, replace without cost to the owner either for material or labour any part of the Product, the serial number of which appears on the Product, which is found to be defective within TWO YEARS of the date of purchase.

Note: this Warranty is an extra benefit and does not affect your legal rights.

This Warranty DOES NOT cover

- A** Service calls which are not related to any defect in the Product. The cost of a service call will be charged if the problem is not found to be a Product fault. For example:
 1. Correcting the installation of the Product.
 2. Instructing you how to use the Product.
 3. Replacing house fuses or correcting house wiring or plumbing.
 4. Correcting fault(s) caused by the user.
 5. Noise or vibration that is considered normal, eg drain/fan sounds, refrigeration noises or user warning beeps.
 6. Correcting damage caused by pests, eg rats, cockroaches, etc.
 7. Replacement light bulbs.
- B** Defects caused by factors other than:
 1. Normal domestic use or
 2. Use in accordance with the Product's User Guide.
- C** Defects to the Product caused by accident, neglect, misuse or Act of God.
- D** The cost of repairs carried out by non-authorized repairers or the cost of correcting such unauthorised repairs.
- E** Normal recommended maintenance as set out in the Product's User Guide.
- F** Repairs when the appliance has been dismantled, repaired or serviced by other than a Fisher & Paykel Authorised Repairer or the selling dealer.
- G** Pick-up and delivery.
- H** Transportation or travelling costs involved in the repair when the Product is installed outside the Fisher & Paykel Authorised Repairer's normal service area.

This Product has been designed for use in a normal domestic (residential) environment. This Product is not designed for commercial use (whatsoever). Any commercial use by a Customer will affect this Product's Warranty.

Service under this Manufacturer's Warranty must be provided by a Fisher & Paykel Authorised Repairer (refer to the 'Customer Care' section at the back of this book). Such service shall be provided during normal business hours. This Warranty certificate should be shown when making any claim.

For Australian Customers

This Warranty is an extra benefit and does not affect your legal rights. Our goods come with guarantees that cannot be excluded under the Australian Consumer Law. You are entitled to a replacement or refund for a major failure and for compensation for any other reasonably foreseeable loss or damage. You are also entitled to have the goods repaired or replaced if the goods fail to be of acceptable quality and the failure does not amount to a major failure.

Please keep this User Guide in a safe place.

Before you call for service or assistance...

Check the things you can do yourself.
Refer to your User Guide and check:

- 1 Your appliance is correctly installed
- 2 You are familiar with its normal operation

If after checking these points you still need assistance, please refer to your nearest Fisher & Paykel Authorised Repairer, or contact us through our website listed on the back cover.

In New Zealand if you need assistance...*

Call your Fisher & Paykel retailer who is trained to provide information on your appliance, or if we can be of any further help, please contact our Customer Care Centre.

Toll Free: 0800 FP CARE or 0800 372 273

Fax: (09) 273 0656

Website: www.fisherpaykel.com

Postal address: PO Box 58546, Botany, Auckland 2163

If you need service...*

Fisher & Paykel has a network of independent Fisher & Paykel Authorised Repairers whose fully trained technicians can carry out any service necessary on your appliance. Your dealer or our Customer Care Centre can recommend a Fisher & Paykel Authorised Repairer in your area.

In Australia if you need assistance...*

Call the Fisher & Paykel Customer Care Centre and talk to one of our Customer Care Consultants.

Toll Free: 1300 650 590

Fax: (07) 3826 9298

Website: www.fisherpaykel.com

Postal Address: PO Box 798, Cleveland QLD 4163

If you need service...*

Fisher & Paykel has a network of qualified Fisher & Paykel Authorised Repairers responsible for servicing only Fisher & Paykel branded appliances. Our Customer Care Centre can recommend a qualified Fisher & Paykel Authorised Repairer in your area.

In United Kingdom if you need assistance...*

Phone: (0845) 066 2200

Fax: (0845) 331 2360

Website: www.fisherpaykel.com

Postal address: Fisher & Paykel Appliances Ltd, Maidstone Road, Kingston, Milton Keynes, Buckinghamshire, MK10 0BD

*If you call, write or contact our website please provide: your name and address, model number, serial number, date of purchase and a complete description of the problem. This information is needed in order to better respond to your request for assistance.

Product details can be found on the inside of the chassis. Either left or right depending on the model. In all cases the filters need to be removed to be able to see them.

Product details

Fisher & Paykel Appliances

Model _____ **Serial no.** _____

Date of purchase _____ **Purchaser** _____

Dealer _____ **Suburb** _____

Town _____ **Country** _____





www.fisherpaykel.com

Fisher & Paykel

Copyright © Fisher & Paykel 2013. All rights reserved.

The product specifications in this booklet apply to the specific products and models described at the date of issue. Under our policy of continuous product improvement, these specifications may change at any time. You should therefore check with your Dealer to ensure this booklet correctly describes the product currently available.

NZ AU GB

F&P PN - 590517 B CATA PN - 60812410

08.2013